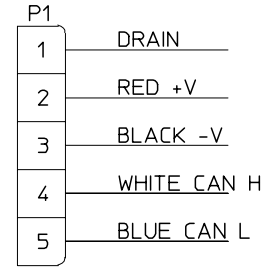
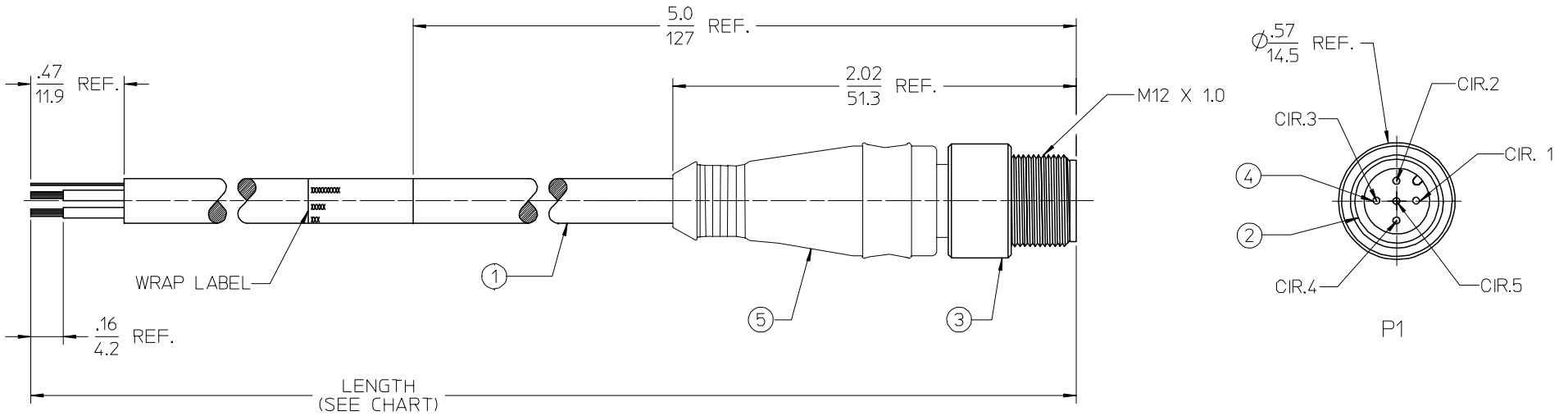


MATERIAL NO.	ENGINEERING NO.	LENGTH
848548021	84854-8021	.5M
848548022	84854-8022	1M
848548023	84854-8023	2M
848548024	84854-8024	3M
848548025	84854-8025	4M
848548026	84854-8026	5M
848548027	84854-8027	6M
848548032	84854-8032	1 FT
848548033	84854-8033	3 FT
848548034	84854-8034	4 FT
848548035	84854-8035	9 FT

NOTES:
 1. MATERIAL: SEE TABLE
 2. FINISHES: SEE TABLE
 3. MATES WITH: DEVICE-NET RECEPTACLE
 4. ASSEMBLY IS RoHS COMPLIANT



WIRING DIAGRAM



ITEM	QTY.	DESCRIPTION	MATERIAL	FINISH
5	1	OVERMOLD	PVC	GRAY
4	5	CONTACT PINS	Cu ALLOY	GOLD PLATED
3	1	COUPLING, MALE THD. METRIC	BRASS	NICKEL PLATED
2	1	INSULATOR, 5/C, DC KEY	NYLON	BLACK
1	1	CABLE, DEVICE-NET, THIN	PVC	GRAY

RELEASED
 EC NO: ETC2008-0052
 DRWR: R. STONE 2007/08/20
 CHKD: J. MACNEIL 2007/09/21
 APPR: J. MACNEIL 2007/09/24

QUALITY SYMBOLS
 ▽=0
 ▽=0

	GENERAL TOLERANCES (UNLESS SPECIFIED)	
	mm	INCH
4 PLACES	± .005	± .0004
3 PLACES	± .005	± .0004
2 PLACES	± .005	± .0004
1 PLACE	± 0.25	± .010
ANGULAR ±1/2°		

DRAFT WHERE APPLICABLE
 MUST REMAIN WITHIN DIMENSIONS

DIMENSION STYLE	
IN/MM	
DRAWN BY	DATE
R. STONE	2007/08/20
CHECKED BY	DATE
J. MACNEIL	2007/08/22
APPROVED BY	DATE
J. MACNEIL	2007/08/22
MATERIAL NO.	
SEE CHART	

SCALE	DESIGN UNITS	THIRD ANGLE PROJECTION
4:1	INCH	
TITLE		
MICRO-C PLUG, MALE METRIC, 5/C, DEV-NET DC KEY		
MOLEX INCORPORATED		
MATERIAL NO.	DOCUMENT NO.	SHEET NO.
SEE CHART	SD-84854-018	1 OF 1

THIS DRAWING CONTAINS INFORMATION THAT IS PROPRIETARY TO MOLEX INCORPORATED AND SHOULD NOT BE USED WITHOUT WRITTEN PERMISSION