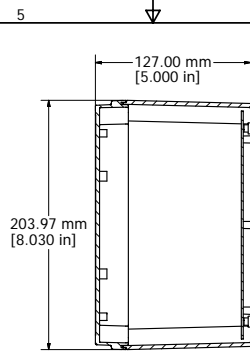
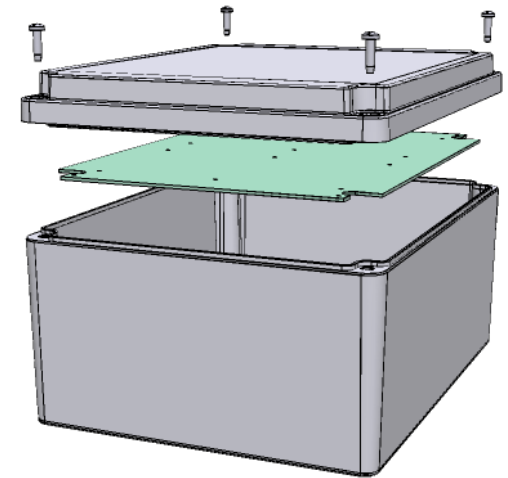


ASSEMBLY - TOP



SECTION A-A



Note:

Enclosures can be Factory Modified (Milling, Drilling, Printing etc.)
 Contact Factory mjm@hammondmfg.com for quotes
 Solid models of this enclosure available in STEP or IGES Format.

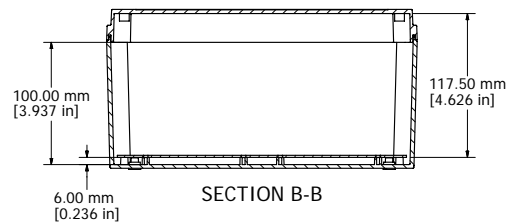
RS5705
Box Material: ABS (UL94-HB), Light Gray Color
Lid Screws: M4 x 18, 304 Stainless
Gasket: EDPM Cord.
Circuit Board Screws, 8 Supplied (M3 self tap)
Suggested Lid Screw Torque: 30 ozf-in (21 cN-m)



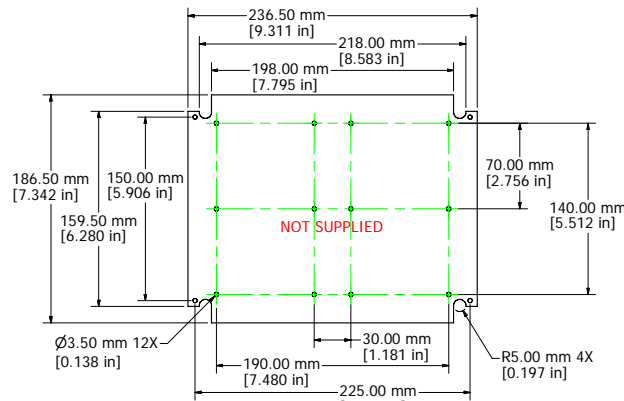
**HAMMOND
MANUFACTURING™**

RS5805

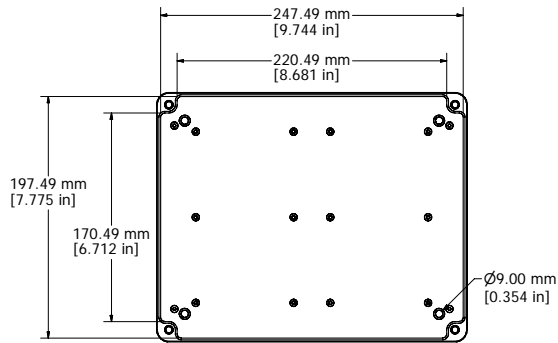
www.hammondmfg.com



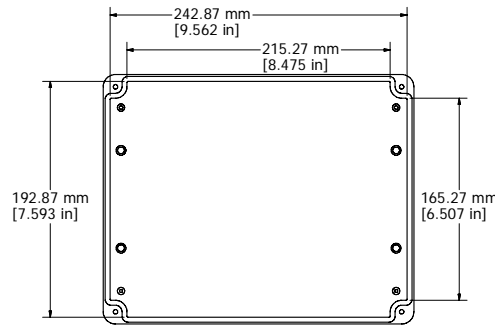
SECTION B-B



INNER PANEL



ASSEMBLY - INSIDE (BOX)



ASSEMBLY - INSIDE (LID)