

# SPECIFICATIONS

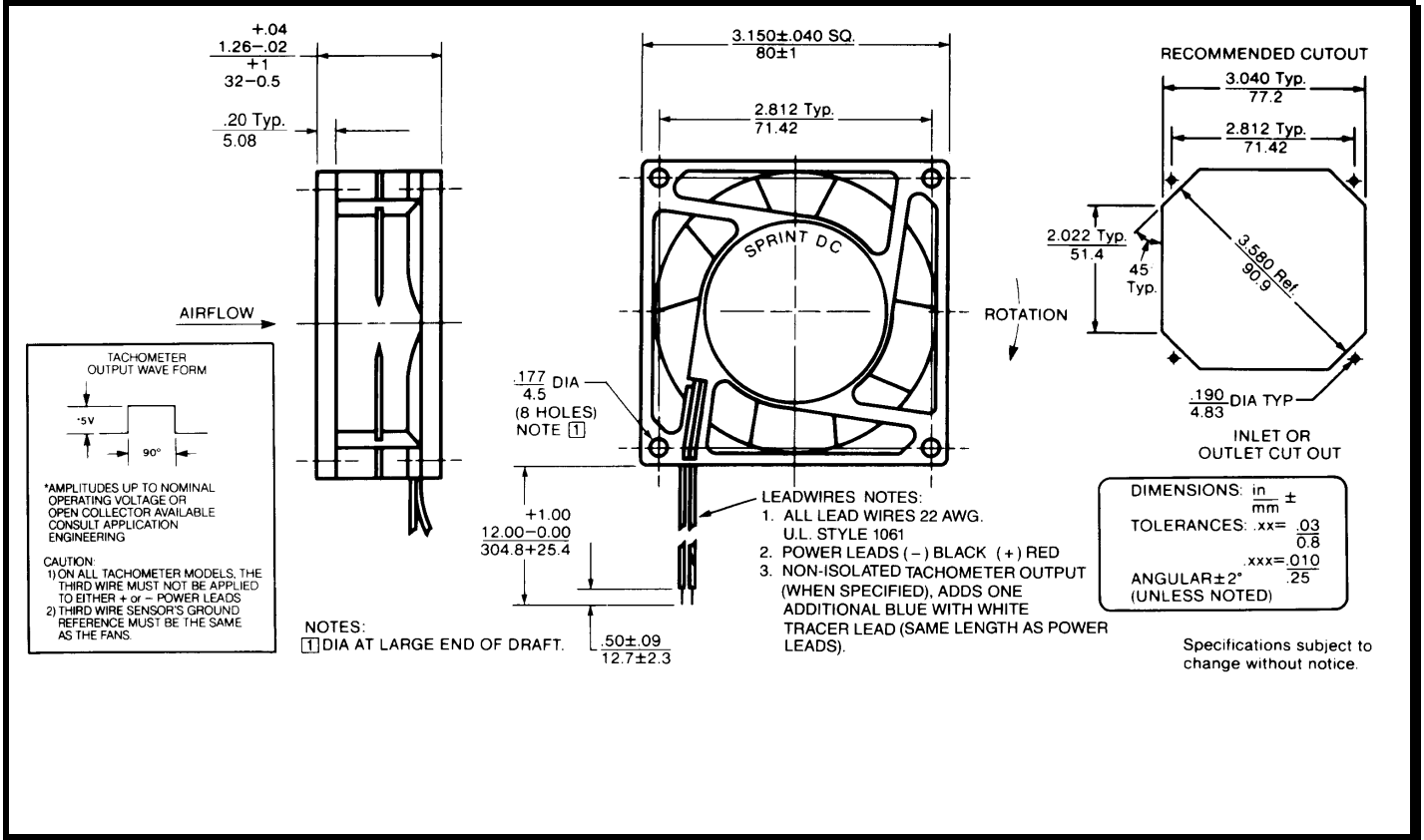
(RoHS Compliant)

Model Number ST24K3  
Part Number: 19030614A

SPEC NUMBER: 26013851A01  
Jan.01.2013



## Mechanical Drawing:



### Motor:

Nominal Voltage = 24 vdc  
 Operating Voltage Range = 12 - 28 vdc  
 Nominal Running Current = .190 amps  
 Max. Locked Rotor Current = .650 amps  
 Running Power = 4.5 watts  
 Average Speed = 4200 RPM  
 Bearings = Ball  
 Air Flow = 40 CFM  
 Acoustics: = 44.2 dBA

### Construction:

Venturi: Plastic, Black, UL 94V-0.  
 Propeller: Polypropylene, Black, UL 94V-0

### Life Expectancy:

This fan is designed for continuous duty life of 55,000 hours at 40°C.

### Agency Certification:

UL

### Additional Features:

Brushless DC Motor  
 Electronic Locked Rotor Protected  
 Automatic Restart Capability  
 Polarity Protected  
 Operating Temperature: -10°C to 70°C  
 Storage Temperature: -40°C to 85°C

### Termination:

12" Lead wires, 22 AWG, UL 1061 Style  
 Red = Fan Power  
 Black = Fan Ground