



Test Procedure for the NCP1611GEVB Evaluation Board

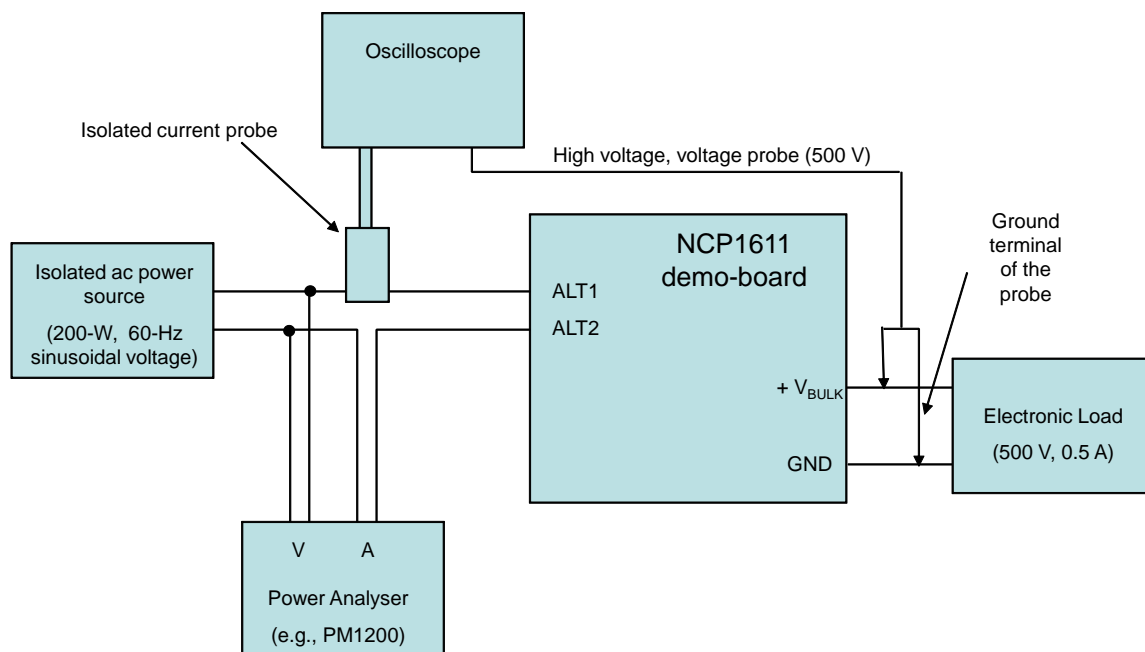


Figure 1 – Set-up for board testing

1. Equipments for measurement

The board testing set-up is shown in Figure 1:

- Apply an electronic load across the output (between the V_{BULK} and “GND” terminals of the board). This equipment will adjust the current I_{LOAD} that loads the demo-board.
- Place a power analyzer able to measure the power factor (“PF”) and the Total Harmonic Distortion (“THD”) of the current absorbed from the ac power source.
- Apply a 200-W or more, 60-Hz, isolated ac power source to the “ALT1” and “ALT2” inputs of the demo-board. This source will adjust the sinusoidal input voltage, V_{in} , that is applied to the demo-board. The rms value of V_{in} must stay below 265 V.

2. Measurements

- V_{BULK} , PF and THD measurements:

Parameters	Comments	Limits
$V_{in,rms}=115\text{ V}, I_{LOAD}=0.1\text{ A}$		
V_{BULK}	Voltage measured between “ V_{BULK} ” and “GND”	$390\text{ V} < V_{BULK} < 410\text{ V}$
PF	Power Factor	> 0.930
THD	Total Harmonic Distortion	$< 25\%$
$V_{in,rms}=115\text{ V}, I_{LOAD}=0.4\text{ A}$		
V_{BULK}	Voltage measured between “ V_{BULK} ” and “GND”	$390\text{ V} < V_{BULK} < 410\text{ V}$



PF	Power Factor	> 0.990
THD	Total Harmonic Distortion	< 15 %
$V_{in,rms}=230\text{ V}, I_{LOAD}=0.4\text{ A}$		
V_{BULK}	Voltage measured between " V_{BULK} " and "GND"	$390\text{ V} < V_{BULK} < 410\text{ V}$
PF	Power Factor	> 0.950
THD	Total Harmonic Distortion	< 20 %

Brown-out levels

The load current being 0.1 A, set the input voltage to 82 Vrms and decrease the input voltage with 1-V steps of 1 s or more. The demo-board must still operate at 75 Vrms and turn off before reaching 70 Vrms.

The input voltage is increased from 70 Vrms with 1-V steps of 1 s or more, the PFC stage must stay off at 75 Vrms and recover operation at a voltage lower than 82 Vrms.

Skip

Observe the MOSFET drain-source voltage at 230 V, 0.1-A load. There must be skip periods of time the duration of which must be between 1 and 3 ms (see Figure 2).

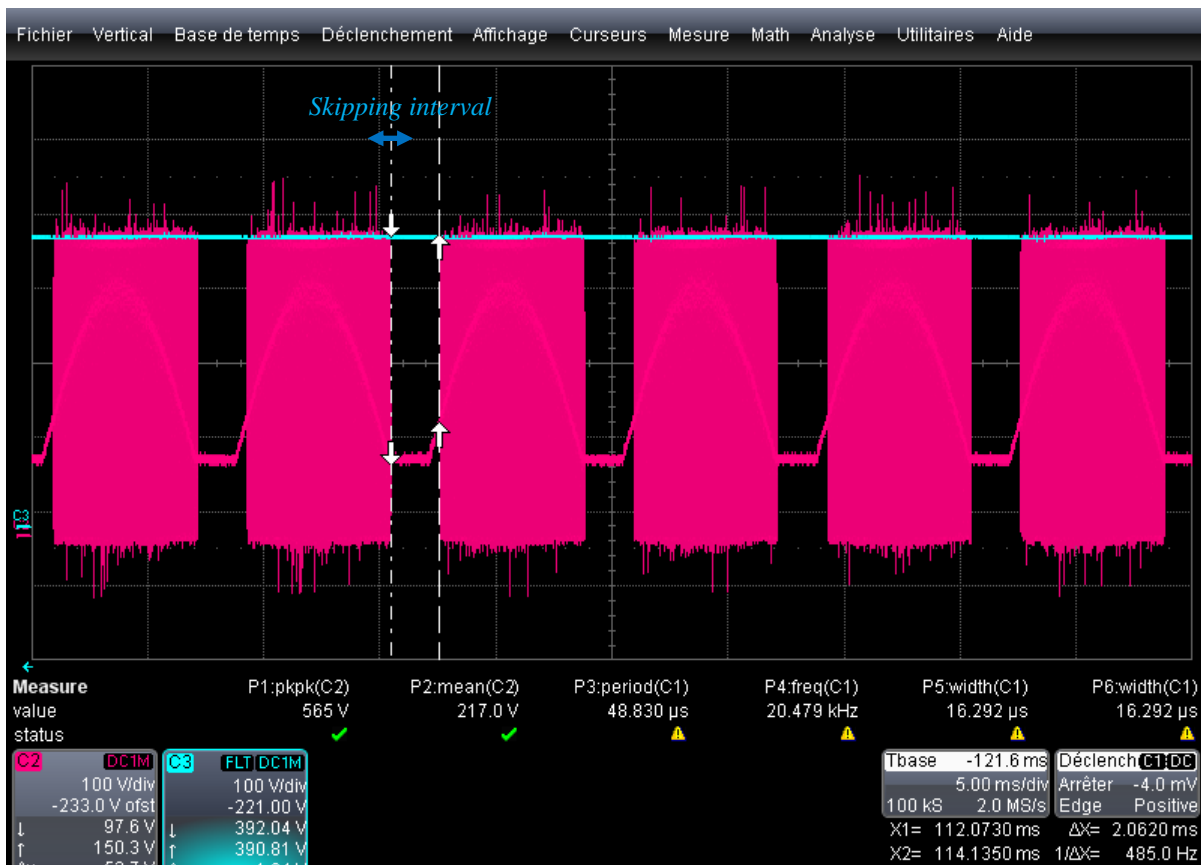


Figure 2 – MOSFET drain-source voltage ($V_{in,rms} = 230\text{ V}, I_{LOAD} = 0.1\text{ A}$)



***The board contains high-voltage and hot, live parts. It should only be handled by experienced power supply professionals. Be very cautious when manipulating or testing it. It is the responsibility of the board users, to take all the precautions to avoid electric hazards and any other pains.**