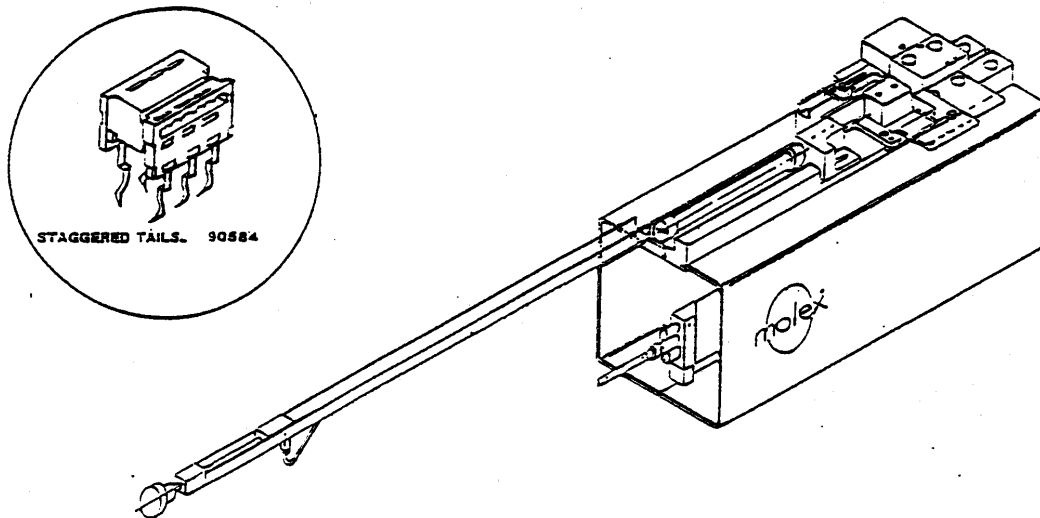




PB16 PNEUMATIC TERMINATOR PART No 69127-1010



MACHINE DESCRIPTION

This machine is for processing tube fed connectors type 90584 (staggered tails board in) with hand placed pre cut ribbon cable,

FEATURES

- 1) Totally pneumatic
- 2) Connector indexing (slide transfer)
- 3) Timers to ensure complete machine termination cycle.

WEIGHT	:	10Kg
DIMENSIONS	:	125 x 175 x 700 mm
WORKING SERVICES	:	6 BAR
ENGINEERING ORDER NUMBER	:	69127-1010