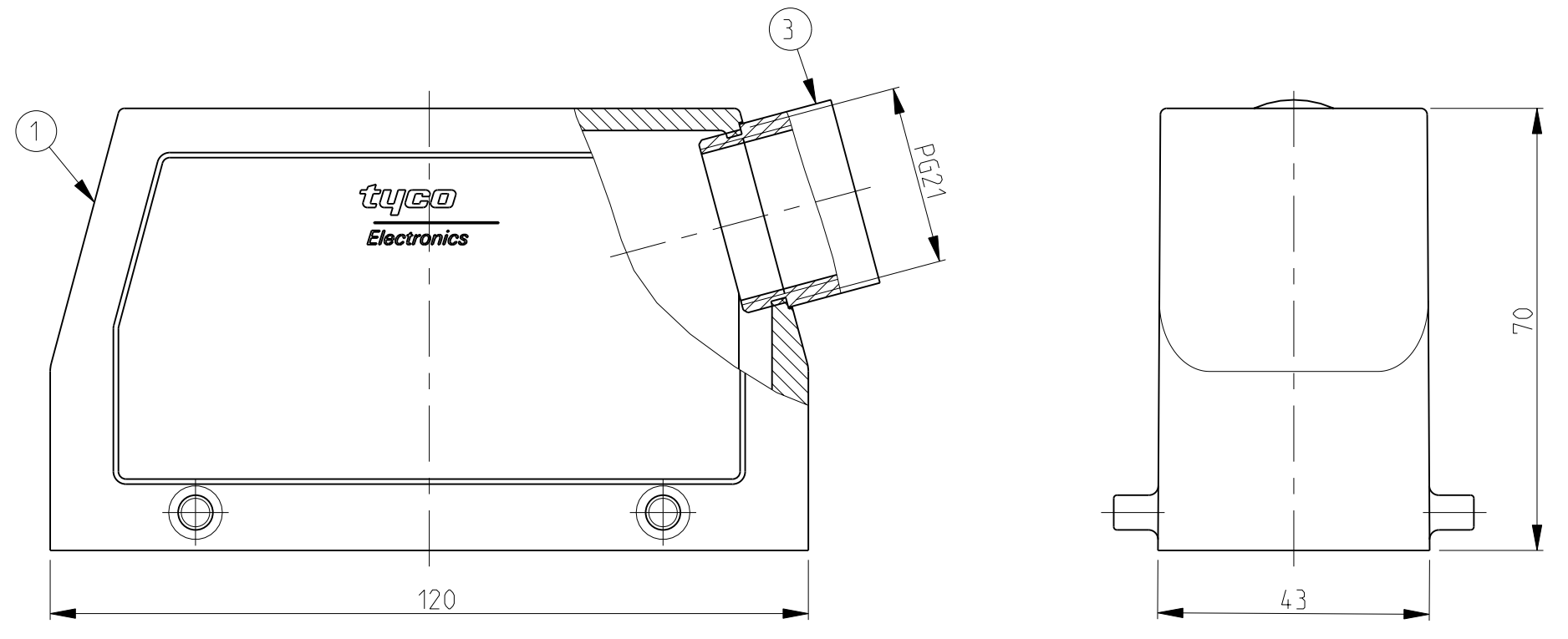


LOC	DIST	REVISIONS					
A	-	P	LTH	DESCRIPTION	DATE	DWN	APVD
		B4		Released as per ECR-07-019955	22.08.07	SK	TS

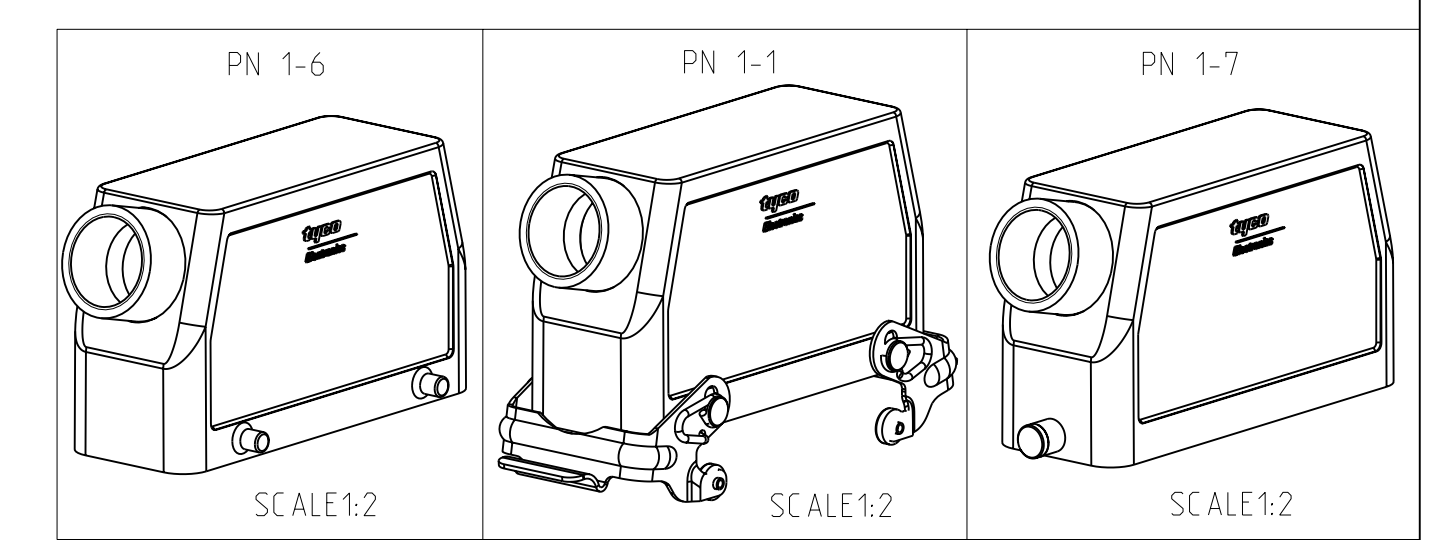
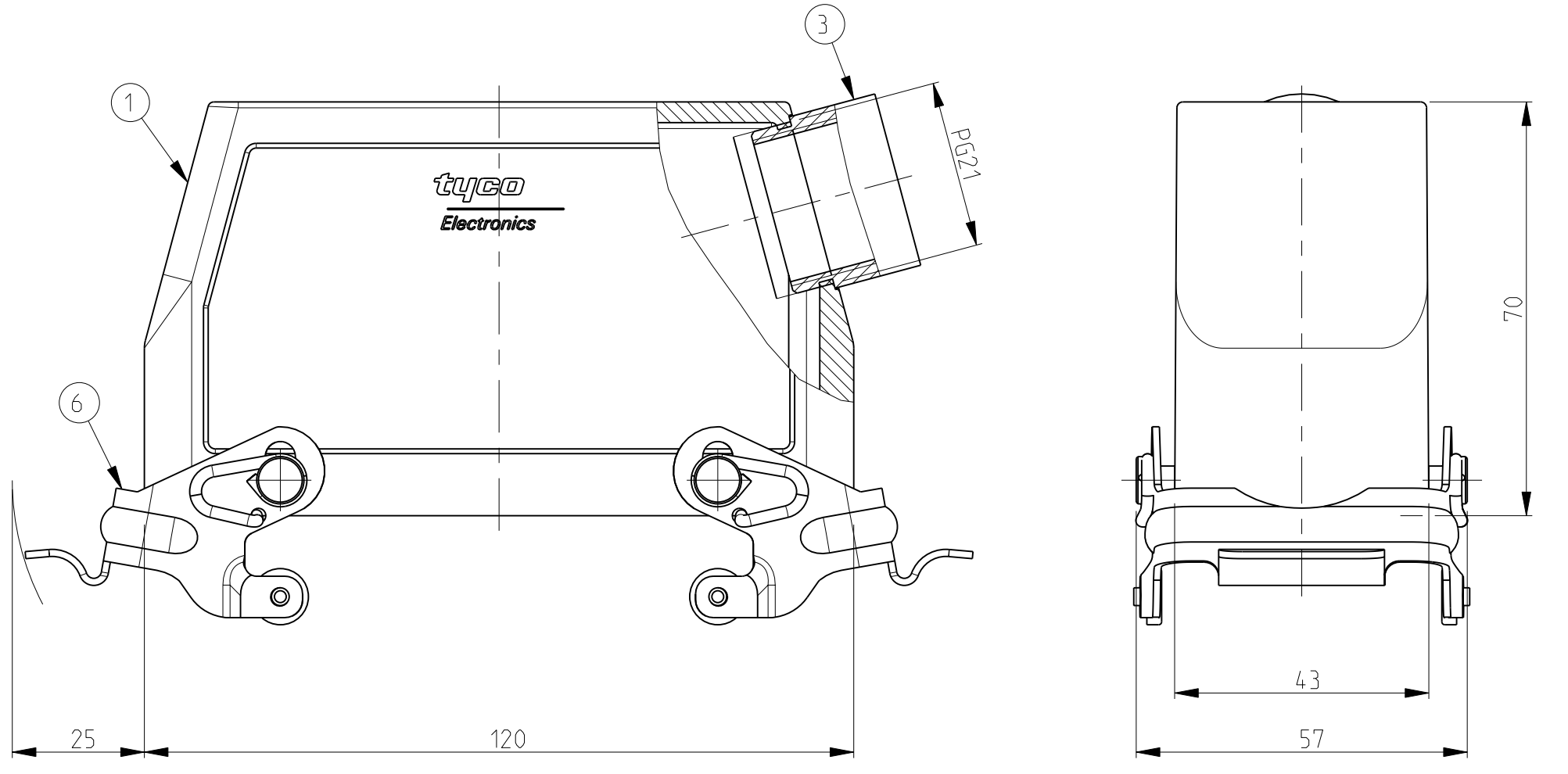
PN 1-6



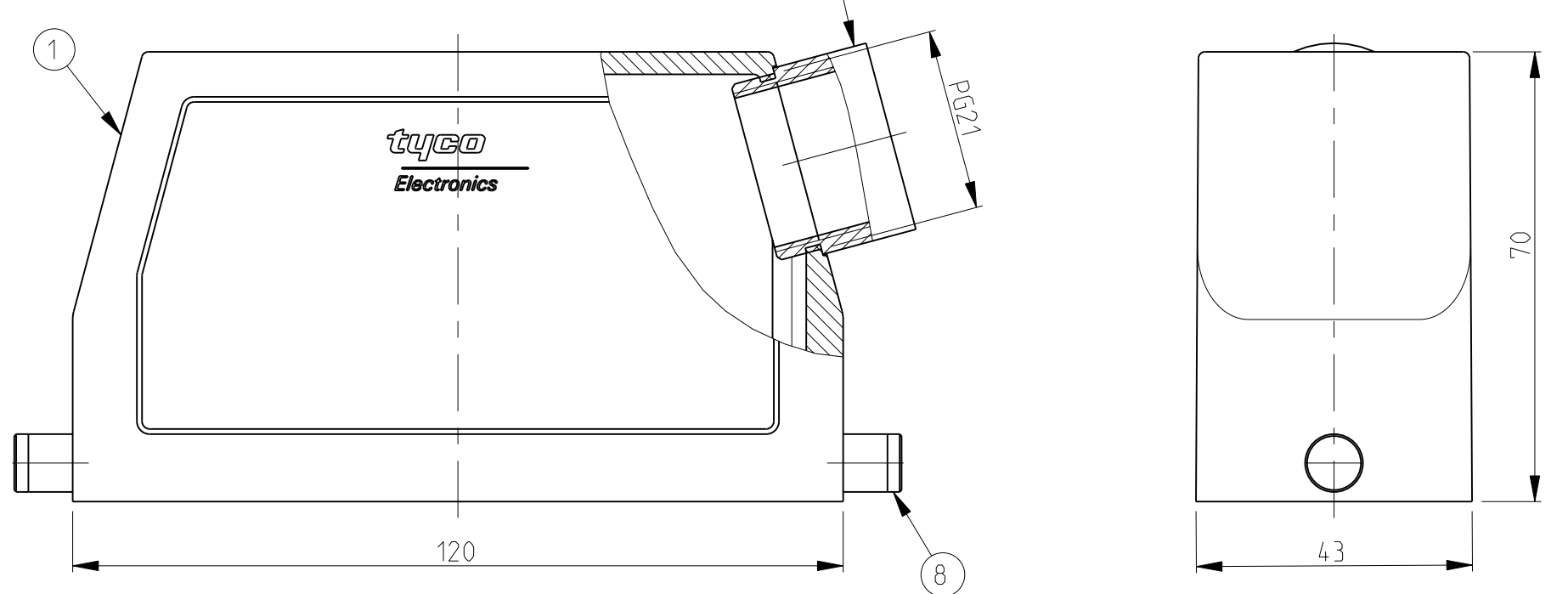
NOTES.

- 1 Material:Housing:Aluminium Diecasting Alloy
- 2 Surface:Varnish grey
- 3 Varnish on the inside not necessary
- 4 Packaging Quantity 5 Pieces in a box

PN 1-1



PN 1-7



QTY	DESCRIPTION	MATERIAL	SURFACE	COLOR	ITEM NO	REMARKS
1	ZB-Central clip	Stainless steel	-		11	
1	ZB-Central clip	Steel	Zinc plated	Blue	10	
2	LB-Clip bolt	Stainless steel	-		9	
2	LB-Clip bolt	Steel	Zinc plated	Blue	8	
2	VS-Locking clip	Stainless steel	-		7	
2	VS-Locking clip	Steel	Zinc plated	Blue	6	
4	VS-Locking clip bolt	Stainless steel	-		5	
1	6-kt- Adapter Ppg21	Brass	Nickel plated		4	
1	Adapter Ppg21	Brass	Nickel plated		3	
1	Hood HB.24.Pg.1.21	Aluminium	Aluminium oxide	Black	2	
1	Hood HB.24.Pg.1.21	Aluminium	-	Grey	1	

THIS DRAWING IS CONTROLLED TECHNOLOGICAL INFORMATION. OBSOLETE INFORMATION SHOULD BE CONTACTED FOR THE LATEST VERSION.

DIMENSIONS: mm

TOLERANCES UNLESS OTHERWISE SPECIFIED:
 0 PRC ±0.05
 1 PLC ±0.1
 2 PLC ±0.15
 3 PLC ±0.2
 4 PRC ±0.25
 ANGLES ±0.5

FINISH

WEIGHT

CUSTOMER DRAW ING

DWN: Schneider 20.07.1999
 CHK: Schweiger 20.07.1999
 APVD: -

NAME: Hood HB.24.STS.1.21.Z

PRODUCT SPEC: 108-74001
 108-74003
 APPLICATION SPEC: 114-74001
 114-74004

SIZE: A | 00779 | C=1102315

SCALE: 1:1 SHEET: 1 OF 1 REV: B4

RESTRICTED TO: -