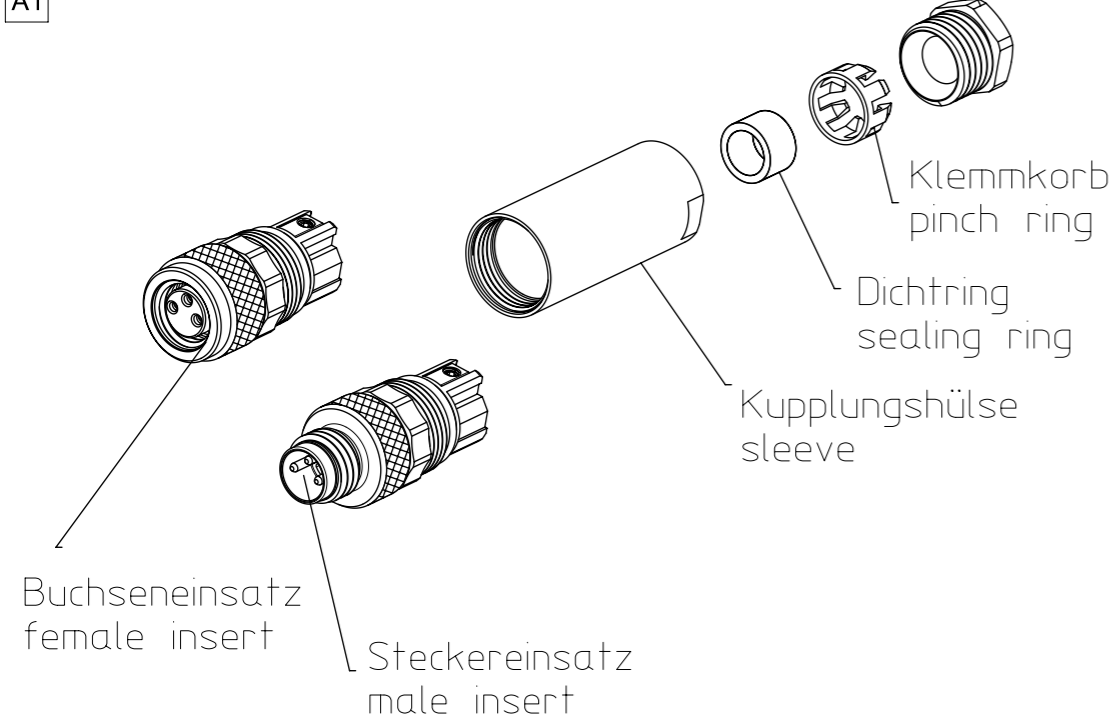
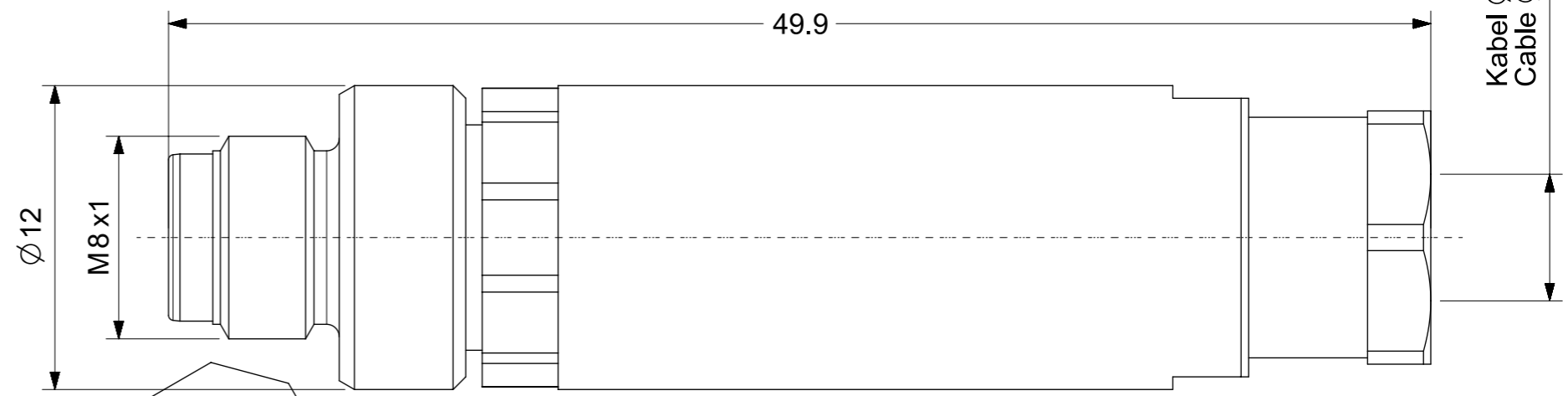
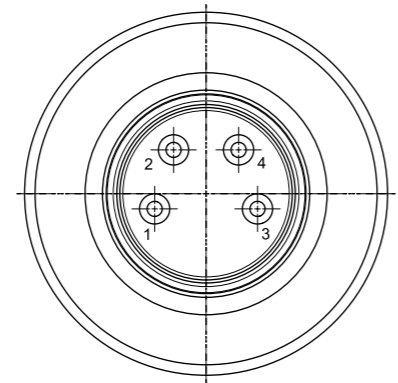


"Explosionszeichnung als Referenz,
Polzahl siehe description"
"Exploded drawing for reference,
pole count see description"

A1



CHANGES SEE REVISION MARKING A1 NOTES



PRE-RELEASE
REFERENCE
USE ONLY

- NOTES:
- LOCKING SYSTEM: SCREW
WIRE GAUGE: 0.14 - 0.50mm²
CABLE OUTLET: 3.5 - 5mm
 - ELECTRICAL DATA:
CURRENT RATING: 4A
VOLTAGE RATING: 30V
 - MECHANICAL:
OPERATING TEMP.: -40°C - 85°C
PROTECTION CLASS: IP67
 - MATERIAL:
CONTACT: CuZn (BRASS)
CONTACT PLATING: Au (GOLD)

ENG.-NO: N04MA03134

THIS DRAWING CONTAINS INFORMATION THAT IS PROPRIETARY TO MOLEX ELECTRONIC TECHNOLOGIES, LLC AND SHOULD NOT BE USED WITHOUT WRITTEN PERMISSION											
QUALITY SYMBOLS FA = 0 FE = 0 FB = 0 FV = 0 FC = 0 FX = 0 FS = 0 FT = 0	2016/08/10	GENERAL TOLERANCES (UNLESS SPECIFIED)		DIMENSION UNITS		SCALE					
	EC NO: 107393 DRWN: LRAMMURTHY CHK'D: APPR:	4 PLACES ±		MM		4:1					
		3 PLACES ±		DRWN BY		DATE					
		2 PLACES ± 0.05		MSCHWARZ		2015/06/30					
		1 PLACE ± 0.3		CHK'D BY		DATE					
0 PLACES ± 0.5		APPR BY		DATE		PRODUCT CUSTOMER DRAWING					
DRAFT WHERE APPLICABLE MUST REMAIN WITHIN DIMENSIONS		DRAWING SIZE		THIRD ANGLE PROJECTION		SERIES	MATERIAL NUMBER	CUSTOMER			
A1		A3				120091	1200910025	GENERAL MARKET			
						DOCUMENT NUMBER		DOC TYPE	DOC PART	SHEET NUMBER	
						1200910025		PSD	000	1 OF 1	

RELEASE STATUS RQ RELEASE DATE 25.08.2016 14:38:21