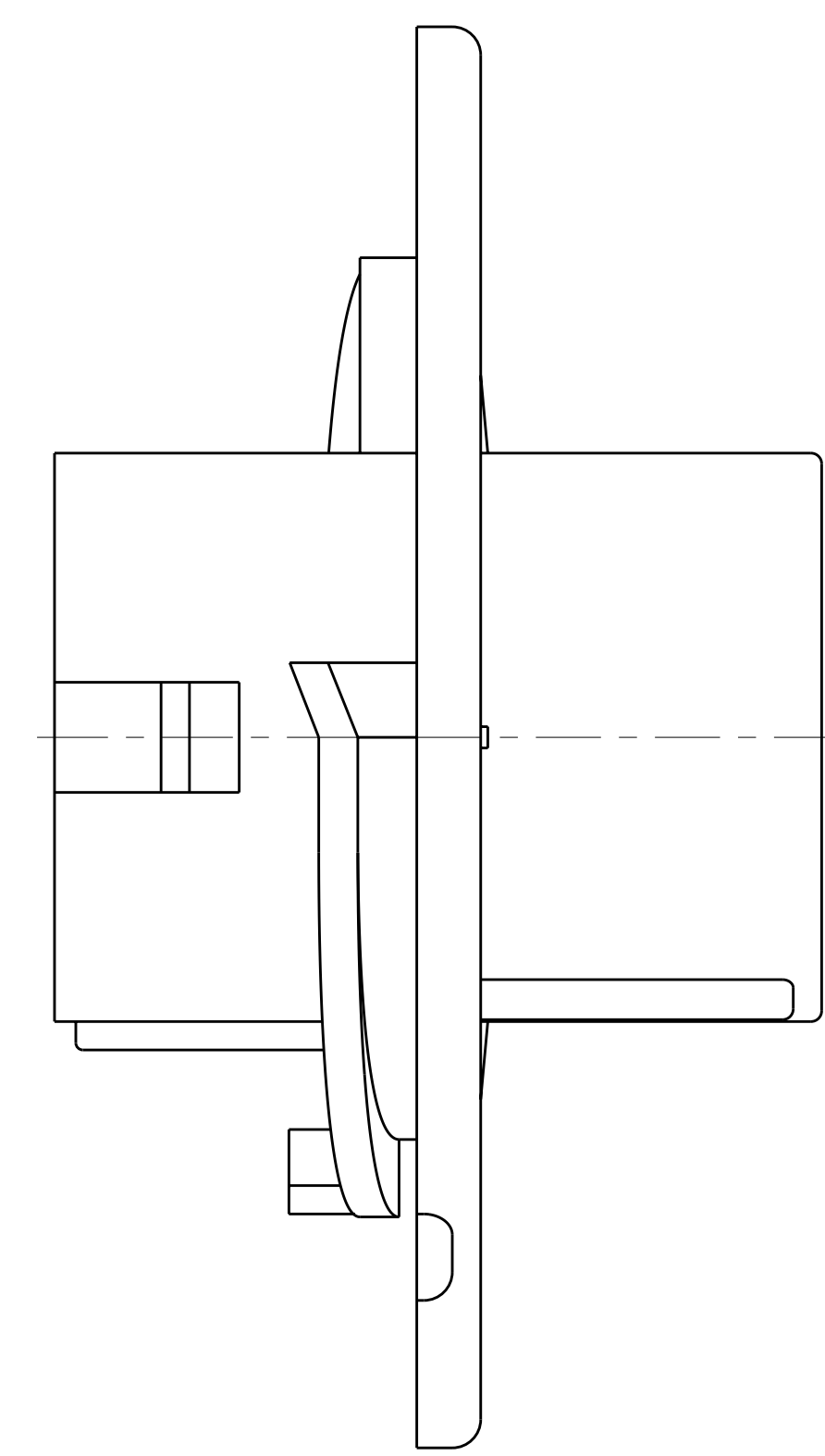
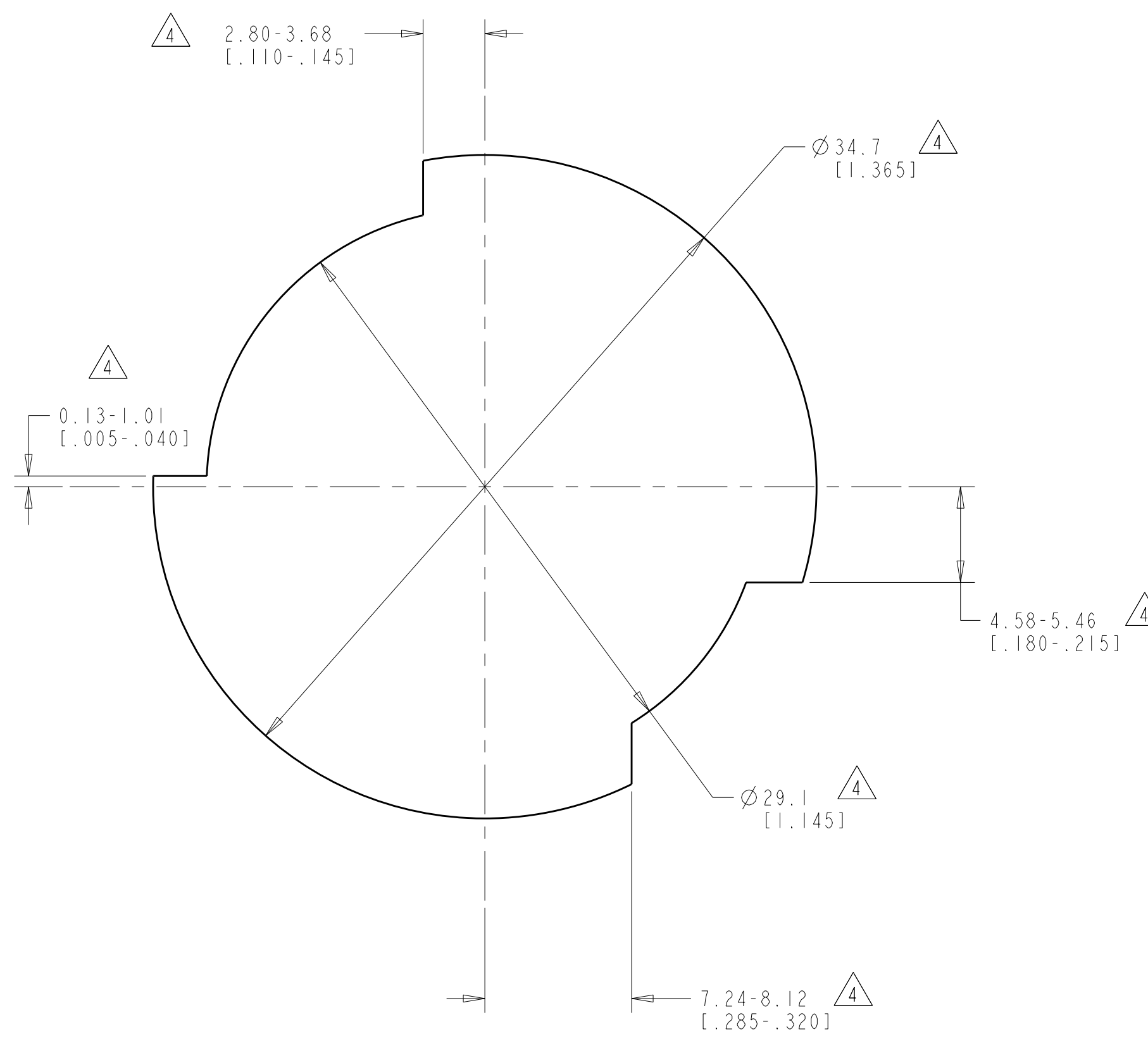
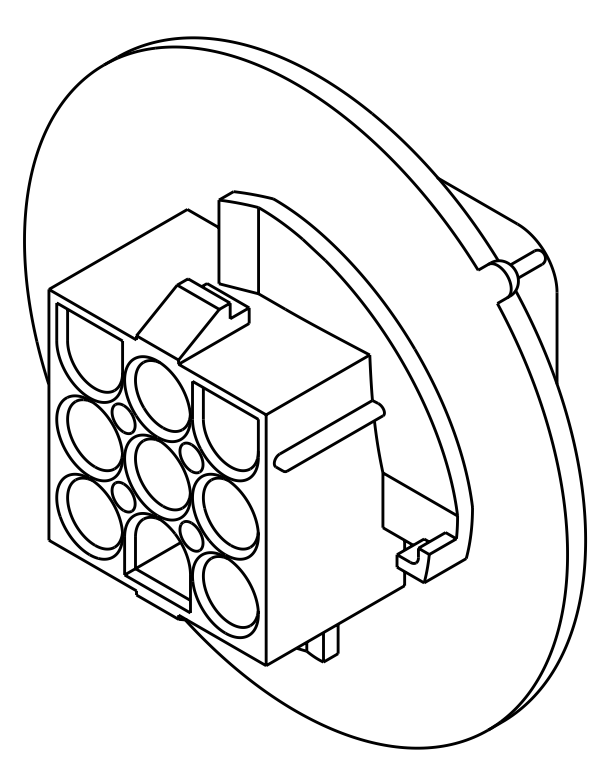
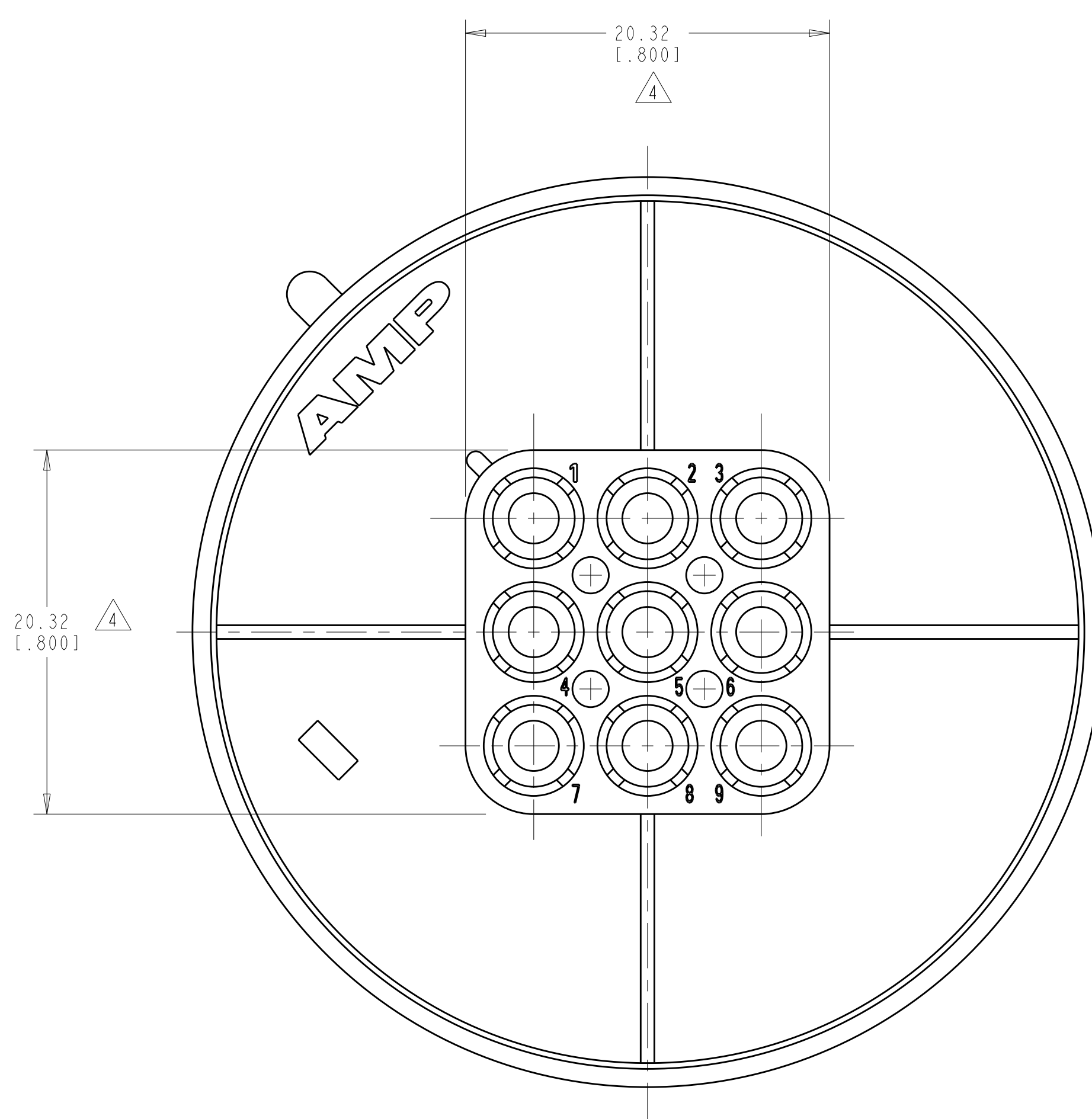
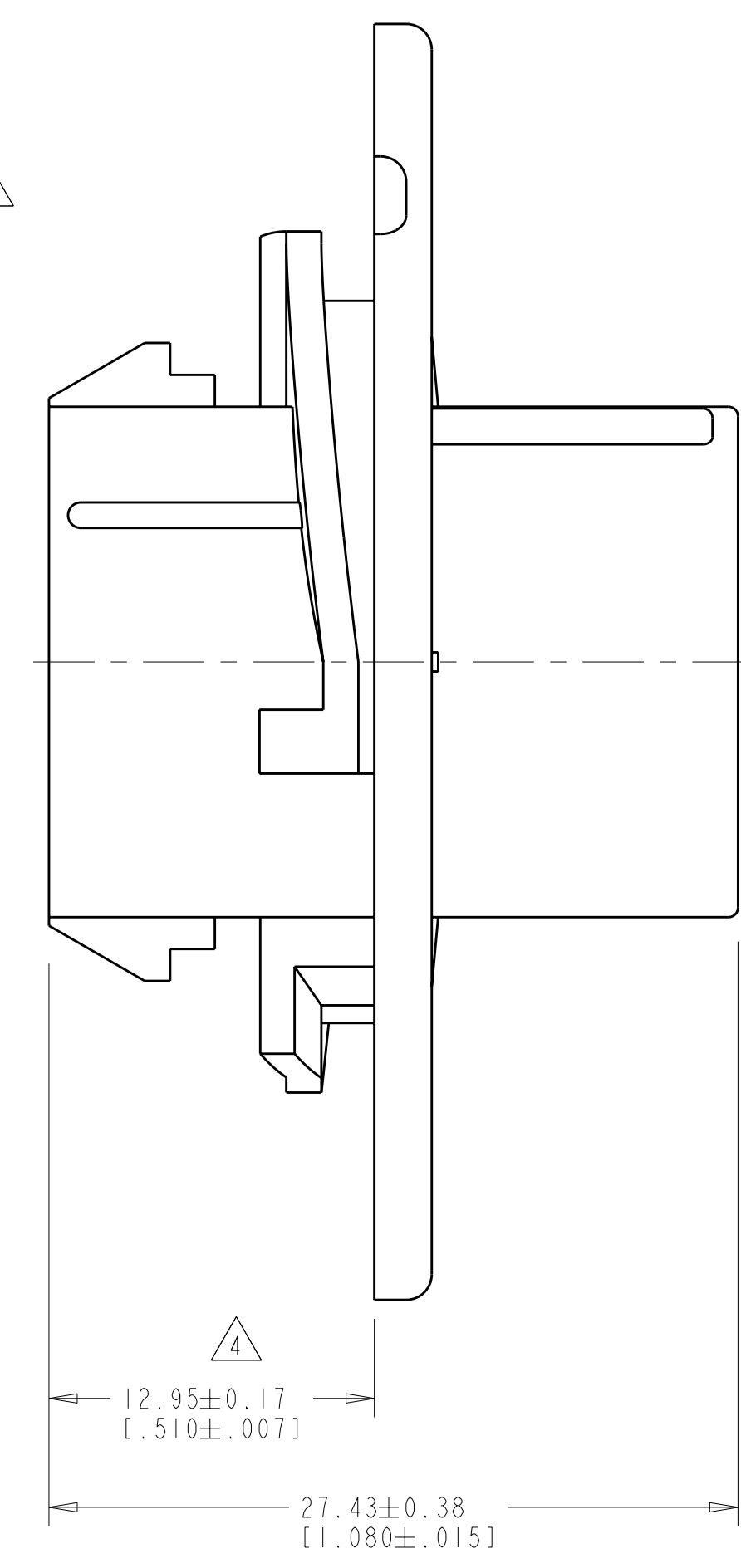
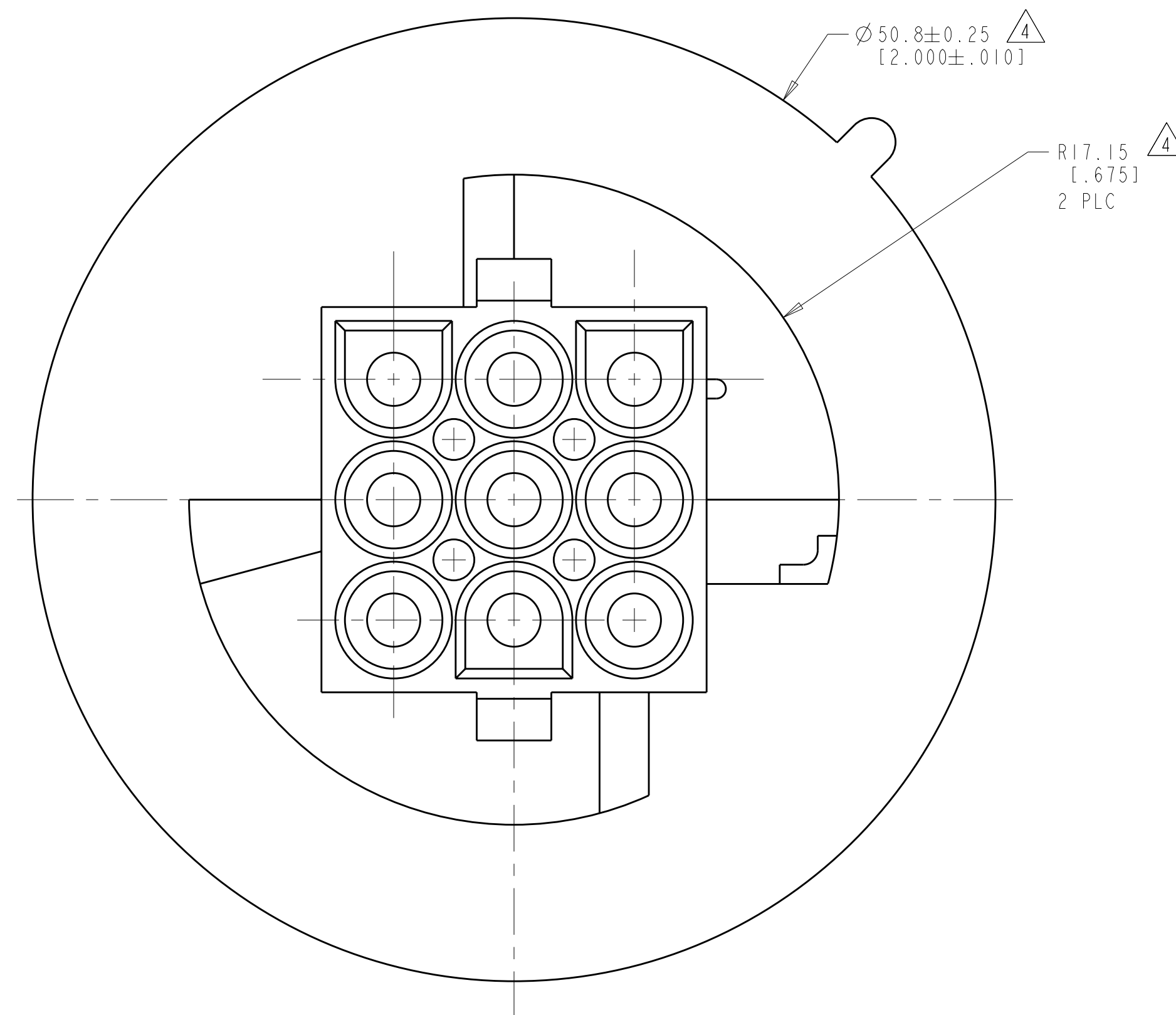


LOC	DIST	REV	DATE	BY	APPD
CM	00	E	03MAR2011	HMR	TM
		REVISIONS			
		DESCRIPTION			
		DATE			
		BY			
		APPD			



- MATES WITH APPROPRIATE UNIVERSAL MATE-N-LOK™ PLUG.
 - RECOMMENDED PANEL THICKNESS 0.76 - 2.29 [0.030 - .090].
 - PANEL MUST BE PUNCHED SO THAT THE HOUSING ENTERS THE PANEL IN THE SAME DIRECTION AS THE PUNCH.
- △ DIMENSIONS INDICATED ARE REFERENCE. ADDITIONAL GROWTH DUE TO SUBSEQUENT MOISTURE ABSORPTION MAY OCCUR.



COLOR	PART NUMBER
BLACK	1-794761-9
GRAY	1-794761-8
BLUE	1-794761-6
GREEN	1-794761-5
YELLOW	1-794761-4
ORANGE	1-794761-3
RED	1-794761-2
BROWN	1-794761-1
NATURAL	794761-1
COLOR	PART NUMBER

DIMENSIONS: mm [INCHES] TOLERANCES UNLESS OTHERWISE SPECIFIED: 9 PLC ± 1 PLC ±0.13 [0.005] 5 PLC ± 4 PLC ± ANGLES ±40° 30'		DWN: 20-JUNE-2000 CHK: K. WHITAKER 20-JUNE-2000 APVD: K. COBLE 20-JUNE-2000	AMP Incorporated Harrisburg, PA 17105-3608
MATERIAL: NYLON UL 94V-0, WHITE		PRODUCT SPEC: APPLICATION SPEC: WEIGHT: CUSTOMER DRAWING	NAME: CAP. 9 CIRCUIT, UNIVERSAL MATE-N-LOK(TM), SPECIAL SIZE: A 00779 C=794761 SHEET 1 OF 1 REV E

