

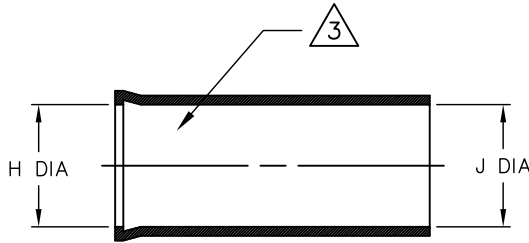
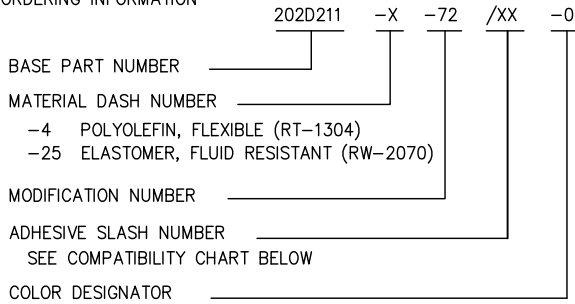
REVISIONS		
LTR	DESCRIPTION	DATE
B	REVISED PER ECO-11-002238	01/31/2011

NOTES

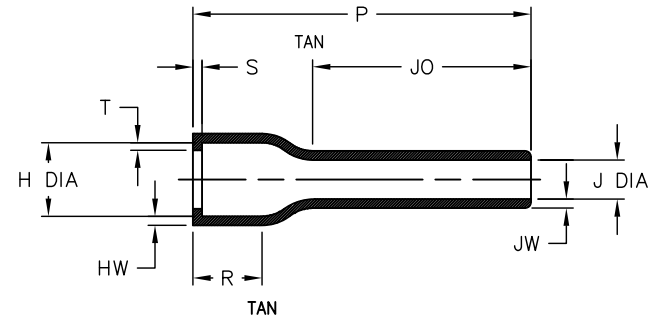
- ALL DIMENSIONS ARE IN INCHES
[MILLIMETERS]
- DIMENSIONS APPEARING IN TABLE ARE AS FOLLOWS:
a - AS SUPPLIED
b - AFTER UNRESTRICTED RECOVERY

3. COATING (ADHESIVE): IS OPTIONAL AS SUPPLIED DIMENSIONS APPEARING IN TABLE ARE FOR UNCOATED PARTS. WHEN COATING IS ADDED, ENTRY DIAMETER WILL BE REDUCED BY .06 [1.5] MAX.

4. ORDERING INFORMATION



AS SUPPLIED



AFTER UNRESTRICTED RECOVERY

TABLE OF DIMENSIONS

PART DESCRIPTION	H		J		P ±10% b	R REF b	S REF b	T REF b	JO ±10% b	HW ±20% b	JW ±20% b
	MIN	MAX	MIN	MAX							
	a	b	a	b							
202D211-X-72	.88 [22,4]	.45 [11,4]	.88 [22,4]	.25 [6,3]	2.50 [63,5]	.46 [11,7]	.12 [3,0]	.04 [1,0]	1.73 [43,9]	.06 [1,52]	.045 [1,1]

If this document is printed it becomes uncontrolled. Check for the latest revision

CUSTOMER DRAWING

COMPATIBILITY CHART

MATERIAL DASH NO.	ADHESIVE (COATING) SLASH NUMBER	ADHESIVE (COATING) S NUMBER
-4	/42; /86	S-1017; S-1048
-25	N/A	N/A

UNLESS OTHERWISE SPECIFIED DIMENSIONS ARE INCHES. METRIC DIMENSIONS ARE IN BRACKETS.

DECIMAL TOLERANCES
.XXX ± 0.005 [0.13 mm]
.XX ± 0.01 [0.25 mm]
.X ± 0.1 [0.50 mm]

ANGLE TOLERANCE
.X ± 1 DEG.

TYCO ELECTRONICS RESERVES THE RIGHT TO AMEND THIS DRAWING AT ANY TIME. USERS SHOULD EVALUATE THE SUITABILITY OF THE PRODUCT FOR THEIR APPLICATION.

DRAWN
UNGUYEN

APPROVED
DHURRELL



Tyco Electronics
Raychem Molded Parts
305 Constitution Dr
Menlo Park, CA 94025

TITLE
BOOT, STRAIGHT, WITH LIP

SIZE B CODE IDENT. NO. 06090 DWG. NO. 202D211-X-72