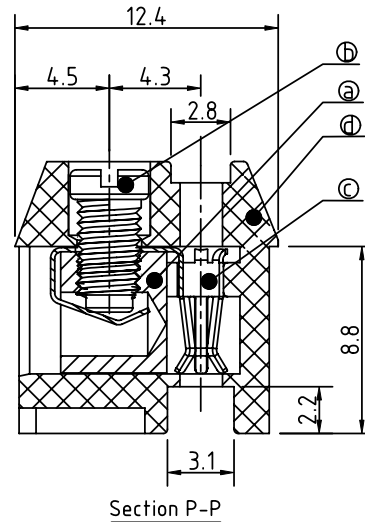
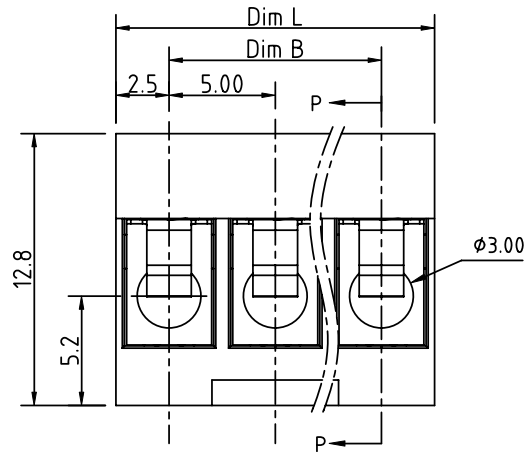
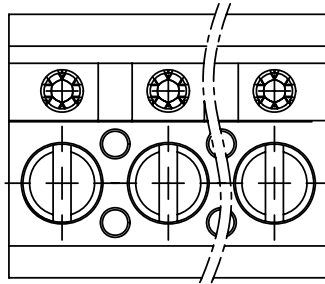


PRODUCT NUMBER	PITCH
TXxx01x000J0G	5.00 mm



**Material**

- Item A Clamp: Brass(CuZn) Ni plated
- Item B Terminal screw: Steel Zinc plating "-" slot type
- Item C Female contact: PhBz (CuSn) Tin plated (Plating before stamping)
- Item D Terminal (housing) : Thermoplastic (UL94V-0)

**Electrical cULus**

- Voltage rating: 300V
- Current rating: 10A
- Wire range:
- Solid wire(AWG): 12-26
- Stranded wire(AWG): 12-26
- Torque: 3.5Lb-In
- Screw: M3.0
- Wire strip length: 6-7mm
- Withstanding Voltage: 1.6KV
- Operating temperature: -40°C to +115°C
- Safety Approval: cULus
- Use with OP  $\phi 1.3$ mm pin, Withdrawal force: 200 - 550gf /pole

N = Number of poles  
Dim L = N x 5.0  
Dim B = (N-1) x 5.0

poles	Tolerance
2-5p	$\pm 0.10$
6-9p	$\pm 0.15$
10-13p	$\pm 0.20$
14-17p	$\pm 0.25$
18-21p	$\pm 0.30$
22-24p	$\pm 0.40$

PART NO.: TX xx 01 x 0 00J0 G

Solid block	0	Black (RAL9005)	RoHS compliant (lead<4%)
No. of poles	2	Red (RAL3001/D)	In copper Alloy
02 2 poles	3	Orange(RAL2011/P)	
03 3 poles	4	Yellow(RAL1018/A)	
...	5	Green(RAL6018/T)	
24 24 poles	6	Blue (RAL5015/A)	
	8	Grey(RAL7035/D)	
	9	White(RAL1102)	
	C	Green(RAL6018/U)	

mat'l. code		surface ASME Y14.5	tolerance ASME Y14.5	projection	product family
tr		tolerances unless otherwise specified			TERMINAL BLOCK
ecn no	dr	date	angles	MM	title
			$X \pm 0.5$		TERMINAL BLOCK
			$X.X \pm 0.3$	scale	PLUGGABLE, 180D WIRE INLET, SOLID BLOCK, ROUND HOLE
			$X \pm 1^*$		dwg no
	dr	EVIN ZHONG	041614		sheet 1 of 1
	enr	EVIN ZHONG	041614		size
	chr	HANKE FENG	041614		A4
	appd	SHI JUN	041614		TXxx01x000J0G
sheet index	revision sheet	A	1		type
					CUSTOMER Drawing