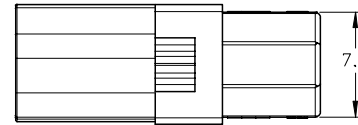
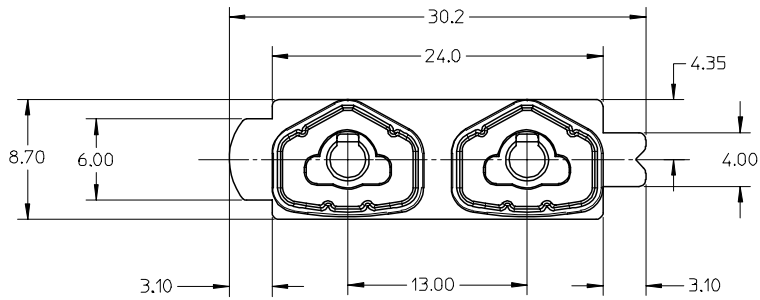
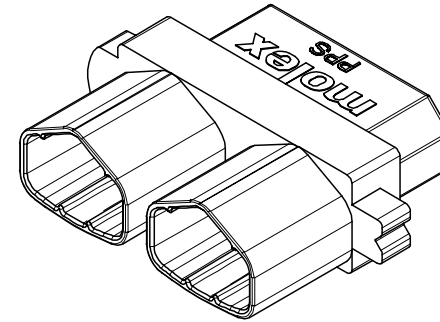
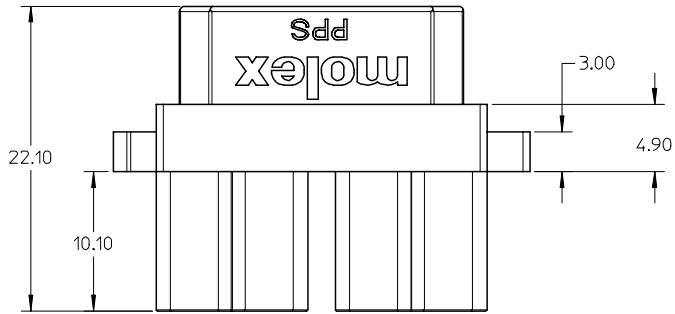


10 9 8 7 6 5 4 3 2 1



NOTES:

1. MATERIAL: PPS GLASS FILLED, UL94V-0, COLOR: BLACK
2. MATE WITH 78165 SERIES.
3. TERMINAL TO BE USED : P/N 78037-2001.
4. PACKAGING INFORMATION : BULK PACKAGING IN POLYBAG.
5. PRODUCT SPECIFICATION : PS-78036-001

REVISED	DESCRIPTION
EC NO: S2008-0250	2007/09/28
DRWN: BOKOK	2007/09/27
CHKD: CGOH	2007/09/27
APPR: KCLING	2007/09/28
A1	REV

QUALITY SYMBOLS
▽=0
∇=0

GENERAL TOLERANCES (UNLESS SPECIFIED)	
	mm INCH
4 PLACES	± --- ± ---
3 PLACES	± --- ± ---
2 PLACES	± 0.3 ± ---
1 PLACE	± 0.5 ± ---
ANGULAR ± 3 °	
DRAFT WHERE APPLICABLE MUST REMAIN WITHIN DIMENSIONS	

DIMENSION STYLE	
MM ONLY	
DRAWN BY	DATE
BOKOK	2007/02/23
CHECKED BY	DATE
CGOH	2007/03/01
APPROVED BY	DATE
KCLING	2007/03/01
MATERIAL NO.	
78166-1001	
SIZE	A3

SCALE	DESIGN UNITS	THIRD ANGLE PROJECTION
NTS	METRIC	
TITLE		
PROJECTOR LAMP CONNECTOR 13MM PITCH, PLUG HOUSING		
MOLEX INCORPORATED		
DOCUMENT NO.		SHEET NO.
SD-78166-002		1 OF 1
THIS DRAWING CONTAINS INFORMATION THAT IS PROPRIETARY TO MOLEX INCORPORATED AND SHOULD NOT BE USED WITHOUT WRITTEN PERMISSION		

9 8 7 6 5 4 3 2 1