

## D-SUB contact insert - VS-25-ST-DSUB-FK - 1689912

Please be informed that the data shown in this PDF Document is generated from our Online Catalog. Please find the complete data in the user's documentation. Our General Terms of Use for Downloads are valid (<http://phoenixcontact.com/download>)



D-SUB contact insert, shell size 3, with 25 signal contacts, contact type pin, flat-ribbon cable connection, angled, fixing with a 3 mm hole, for panel mounting frame VS-25-...



### Key commercial data

Packing unit	1 pc
Weight per Piece (excluding packing)	14.16 GRM
Custom tariff number	85366990
Country of origin	Germany

### Technical data

#### Mechanical characteristics

Number of positions	25
Connection profile	25-pos. D-SUB
Insertion/withdrawal cycles	≥ 200
Connection method	Flat-ribbon cable connection

#### Ambient conditions

Ambient temperature (operation)	-55 °C ... 105 °C
---------------------------------	-------------------

#### Material data

Inflammability class according to UL 94	V0
Housing material	Steel, yellow chromated
Contact carrier material	Polyester GF
Contact material	Copper alloy
Contact surface material	Hard gold-plated over nickel

#### Electrical characteristics

Rated voltage (III/3)	125 V
-----------------------	-------

# D-SUB contact insert - VS-25-ST-DSUB-FK - 1689912

## Technical data

### Electrical characteristics

Rated surge voltage	1 kV
Rated current	1 A

## Classifications

### eCl@ss

eCl@ss 4.0	27140816
eCl@ss 4.1	27260701
eCl@ss 5.0	27260701
eCl@ss 5.1	27260701
eCl@ss 6.0	27261203
eCl@ss 7.0	27440202
eCl@ss 8.0	27440202

### ETIM

ETIM 2.0	EC000437
ETIM 3.0	EC000437
ETIM 4.0	EC000437
ETIM 5.0	EC000437

### UNSPSC

UNSPSC 6.01	30211923
UNSPSC 7.0901	39121522
UNSPSC 11	39121522
UNSPSC 12.01	39121522
UNSPSC 13.2	39121522

## Approvals

### Approvals

---

Approvals

GOST

---

Ex Approvals

---

# D-SUB contact insert - VS-25-ST-DSUB-FK - 1689912

## Approvals

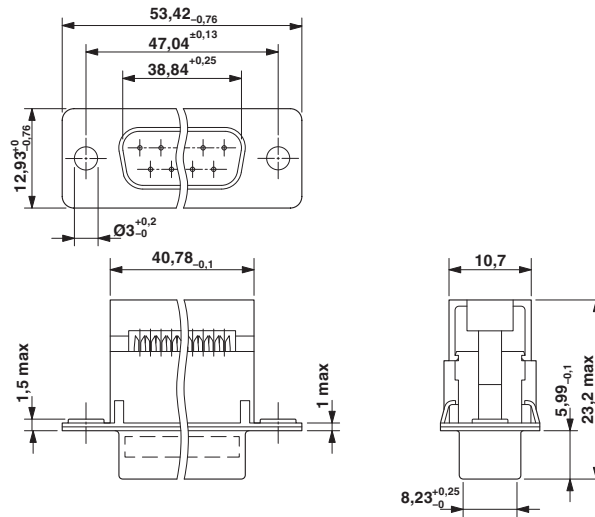
Approvals submitted

## Approval details



## Drawings

Dimensioned drawing



D-SUB contact insert