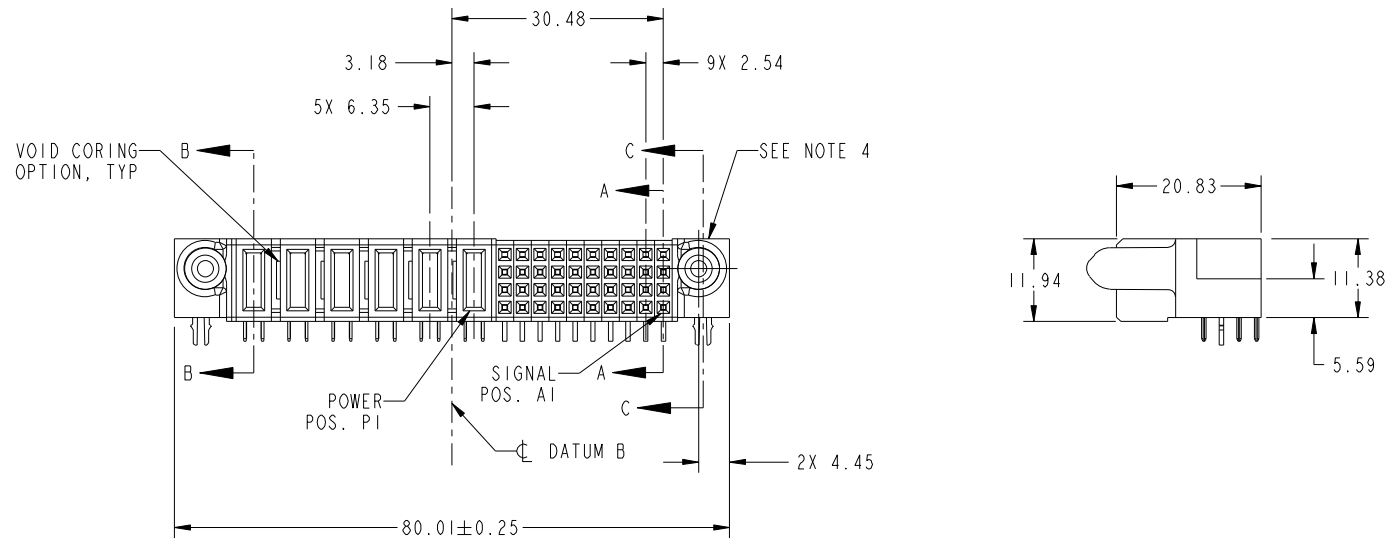
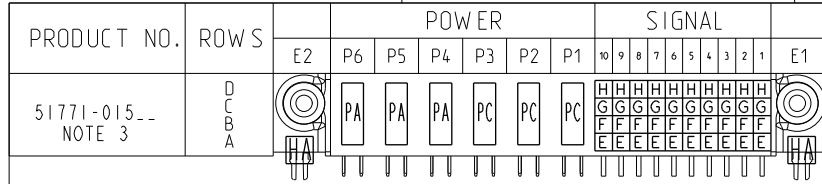


Tous droits strictement reserves. Reproduction ou communication a des tiers interdite sous quelque forme que ce soit sans autorisation écrite du propriétaire. Propriete de c FCI. Droits de reproduction FCI.



All rights strictly reserved. Reproduction or issue to third parties in any form whatever is not permitted without written authority from the proprietor. Property of FCI. Copyright FCI.



CODE	DIM "M" MATING LENGTH	CONTACT TYPE
PA	[1.07]	POWER
H	[N/A]	SIGNAL
G	[N/A]	SIGNAL
F	[N/A]	SIGNAL
E	[N/A]	SIGNAL
HA	[N/A]	HOLD-DOWN
PC	[2.34]	POWER

mat'l code				SEE NOTE 2		tolerances unless otherwise specified		CUSTOMER	
ltr	ecn no.	dr	date	linear	0.X ±0.3	projection		COPY	
A	DG07-0445	SH	11/06/07	angles	0.XX ±0.13	M M		title	
				dr	0.XXX ±0.051	scale		product family	
				enr	0° ±2°	1:1		PwrBlade	
				chr	Sincere He 11/01/07			code	
				appd	Sincere He 11/01/07			213	
					Gary Hsieh 11/01/07			sheet	
					Joseph Hsia 11/01/07			1 of 4	
sheet index	revision sheet	A 1	A 2	A 3	A 4				

www.fciconnect.com		title	
40S + 6P		R/A SOLDER RECEPTACLE	
product family	PwrBlade	code	213
size	A	dwg no	51771-015
cage code		22526	

Pro/E

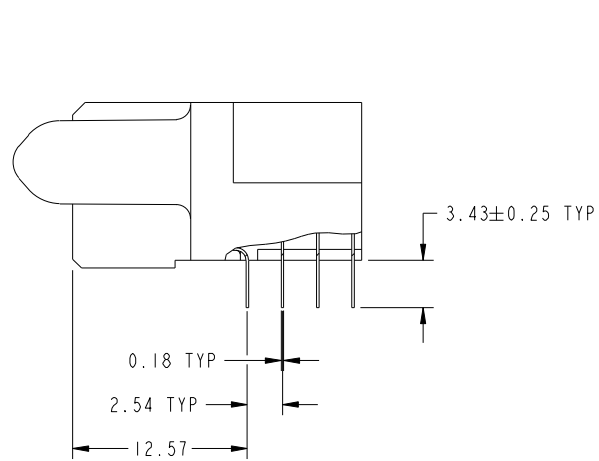
cage code 22526

Tous droits strictement reserves. Reproduction ou communication a des tiers interdite sous quelque forme que ce soit sans autorisation écrite du propriétaire. Propriete de c FCI. Droits de reproduction FCI.

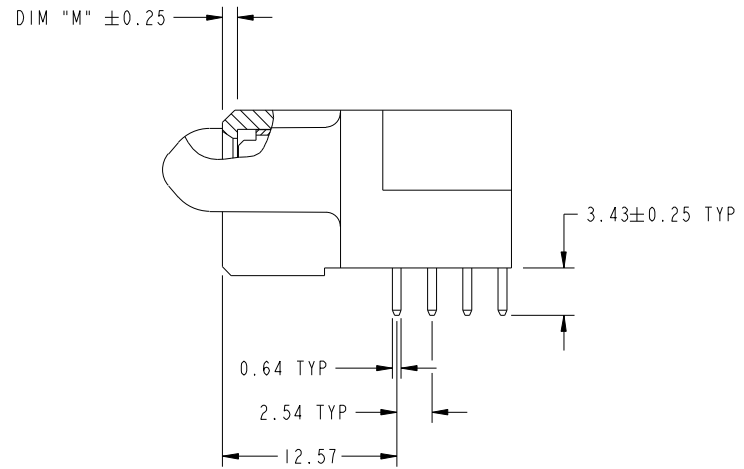


All rights strictly reserved. Reproduction or issue to third parties in any form whatever is not permitted without written authority from the proprietor. Property of FCI. Copyright FCI.

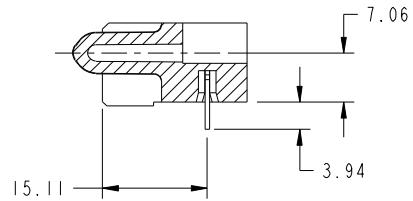
PRODUCT NUMBER
51771-015--
NOTE 3



BROKEN-OUT SECTION A-A
SCALE 2:1



BROKEN-OUT SECTION B-B
SCALE 2:1



SECTION C-C

mat'l code		SEE NOTE 2		tolerances unless otherwise specified		CUSTOMER		FCI	
ltr	ecn no.	dr	date	linear	0.X ± 0.3	COPY		www.fciconnect.com	
A					0.XX ± 0.13	projection		title	
				angles	0.XXX ± 0.051			40S + 6P R/A SOLDER RECEPTACLE	
				dr	0° ± 2°			product family PwrBlade code 213	
				enr	Sincere He 11/01/07	scale		size	
				chr	Sincere He 11/01/07	1:1		dwg no	
				appd	Gary Hsieh 11/01/07			51771-015 sheet 2 of 4	
					Joseph Hsia 11/01/07				
sheet index	revision sheet								

cage code 22526

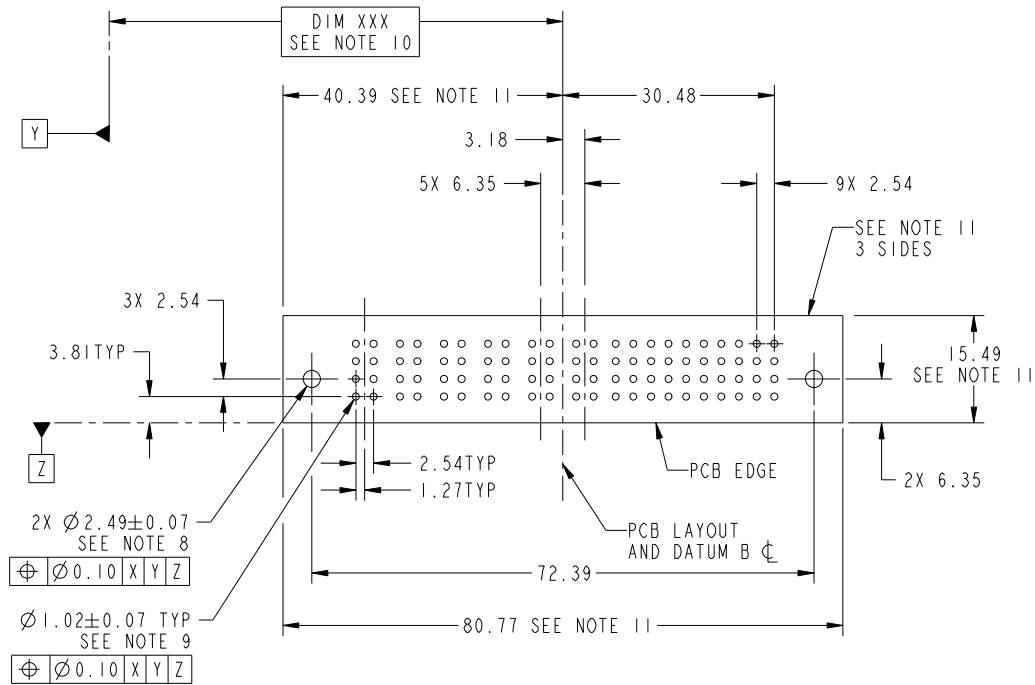
Pro/E

Tous droits strictement reserves. Reproduction ou communication a des tiers interdite sous quelque forme que ce soit sans autorisation écrite du propriétaire. Propriete de c FCI. Droits de reproduction FCI.



All rights strictly reserved. Reproduction or issue to third parties in any form whatever is not permitted without written authority from the proprietor. Property of FCI. Copyright FCI.

PRODUCT NUMBER
51771-015--
NOTE 3



RECOMMENDED PCB LAYOUT

mat'l code				SEE NOTE 2		tolerances unless otherwise specified		CUSTOMER		FCI	
ltr	ecr no.	dr	date	linear	0.X ± 0.3		COPY		www.fciconnect.com		
A					0.XX ± 0.13		projection		title		
					0.XXX ± 0.051				40S + 6P R/A SOLDER RECEPTACLE		
				angles	0° ± 2°				product family		code
				dr	Sincere He	11/01/07	scale		PwrBlade		213
				enr	Sincere He	11/01/07	1:1		size		sheet
				chr	Gary Hsieh	11/01/07	A		dwg no		3 of 4
				appd	Joseph Hsia	11/01/07	51771-015		cage code		
sheet index	revision sheet						22526				

Pro/E

cage code 22526

Tous droits strictement reserves. Reproduction ou communication a des tiers interdite sous quelque forme que ce soit sans autorisation écrite du propriétaire. Propriete de c FCI. Droits de reproduction FCI.

All rights strictly reserved. Reproduction or issue to third parties in any form whatever is not permitted without written authority from the proprietor. Property of FCI. Copyright FCI.

PRODUCT NUMBER
51771-015--
NOTE 3

NOTES:

1. DIMENSIONS AND TOLERANCES ARE IN ACCORDANCE WITH ASME Y14.5M, 1994 UNLESS OTHERWISE SPECIFIED.

CONNECTOR NOTES:

- 2. HOUSING MATERIAL: UL 94 V-0 GLASS FILLED
HIGH-TEMP THERMOPLASTIC
POWER CONTACT MATERIAL: COPPER ALLOY
SIGNAL PIN MATERIAL: COPPER ALLOY
 - 3. PLATING:
51771-015, 51771-015LF PLATING SPEC. WAS SHOWN IN THE PRINT OF 10064183.
 - 4. MANUFACTURER'S NAME, P/N, AND DATE CODE TO APPEAR ON THIS SURFACE.
 - 5. PRODUCT SPECIFICATION GS-12-149.
APPLICATION SPECIFICATION BUS-20-067.
 - 6. PACKAGED IN TRAYS.
- PCB NOTES:
- 7. ALL HOLE DIAMETERS ARE FINISHED HOLE SIZE.
 - 8. MOUNTING HOLES, WHERE APPLICABLE, ARE UNPLATED.
 - 9. $\varnothing 1.151 \pm 0.025$ DRILLED HOLES PLATED WITH
0.008 MIN SnPb OR Sn OVER 0.03
TO 0.08 Cu PLATING TO ACHIEVE
 $\varnothing 1.02 \pm .07$ HOLE.
 - 10. "DIM XXX" TO BE DETERMINED BY THE CUSTOMER.
 - 11. CONNECTOR KEEP-OUT ZONE.

mat'l code		SEE NOTE 2		tolerances unless otherwise specified		CUSTOMER		FCI	
ltr	ecr no.	dr	date	linear	0.X ± 0.3	COPY		www.fciconnect.com	
A				linear	0.XX ± 0.13	projection		title	
				angles	0.XXX ± 0.051			40S + 6P R/A SOLDER RECEPTACLE	
					0° ± 2°	MIM		product family	PwrBlade
				dr	Sincere He 11/01/07	scale	A	size	code
				enr	Sincere He 11/01/07			dwg no	213
				chr	Gary Hsieh 11/01/07			51771-015	sheet
				appd	Joseph Hsia 11/01/07			4 of 4	
sheet index	revision sheet								

cage code 22526

Pro/E