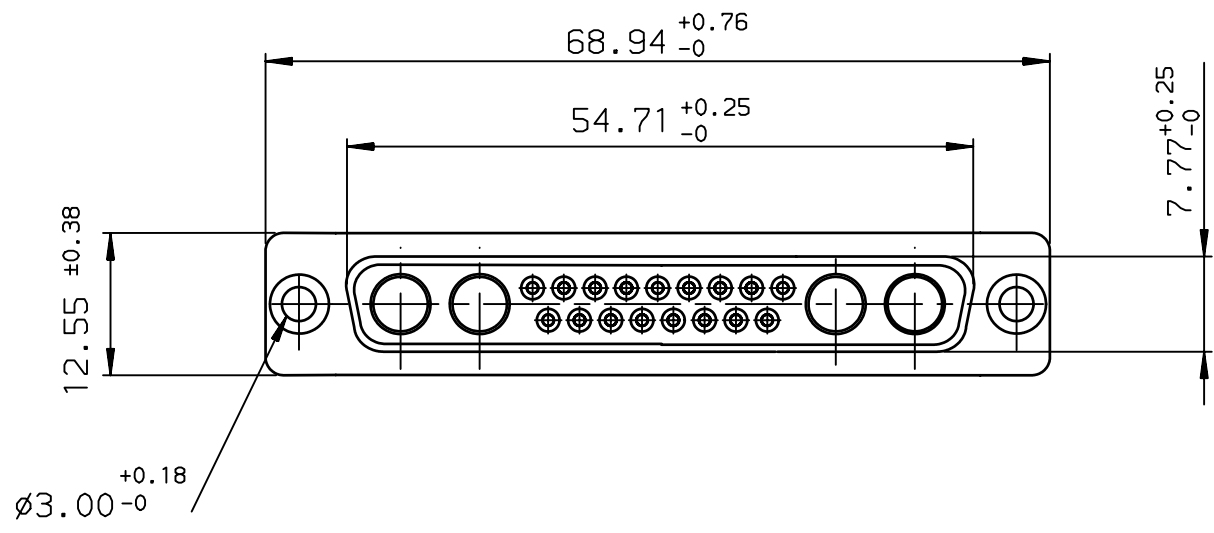
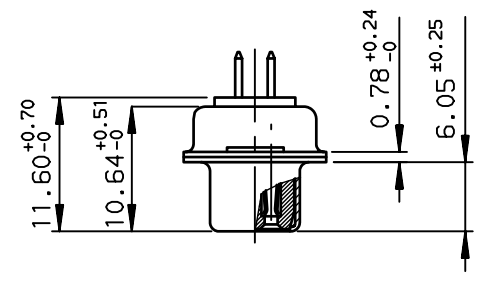
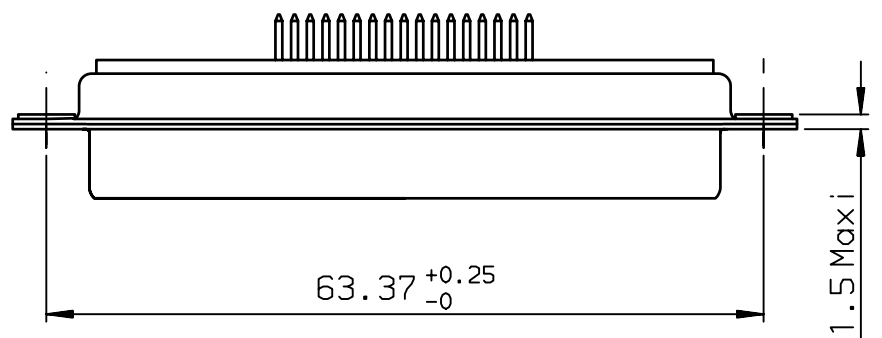


A

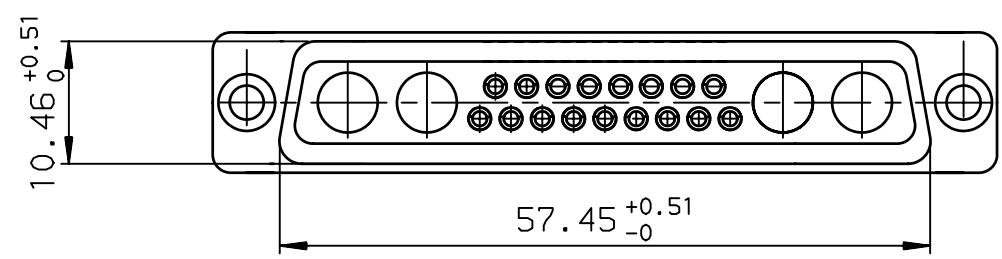


B

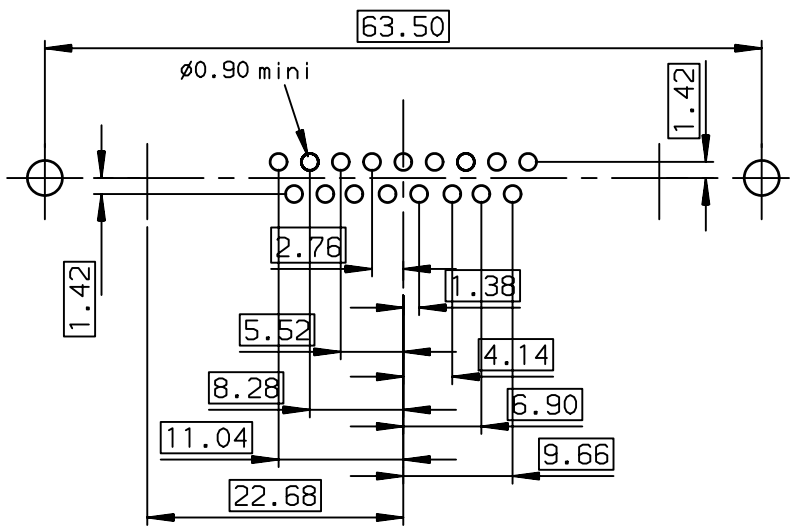


DC21WA4S300A00LF
PART NUMBER

C



LAYOUT DIMENSIONS (after plating)
CONNECTOR SIDE VIEW



GENERAL CHARACTERISTICS AND ROHS INFORMATIONS:
SEE DRAWING C01-8639-0000

European Views

www.fciconnect.com		surface ISO 1302	tolerance std ISO 406 ISO 1101	projection mm
TOLERANCES UNLESS OTHERWISE SPECIFIED				size A3
Dr	PESSON	2005/12/01	ANGULAR	Scale 1.5
Eng	PESSON	2005/12/01	LINEAR	ECN LS06-0095
Chr	LEGARE	2005/12/01	0.xx' ±2'	Spec ref -
Appr	LEGARE	2005/12/01	Product family	D-SUB
FCi			title SOCKET CONNECTORS WITH STRAIGHT CONTACTS	
catalog no			dwg no C01-8639-2266	
			Rev. B	

rev	ecn no	dr	date
A	LS05-0106	MPE	2005/12/01
B	LS06-0095	LGO	2006/06/16
-	-	-	-
-	-	-	-
-	-	-	-
-	-	-	-



Copyright FCI.

D