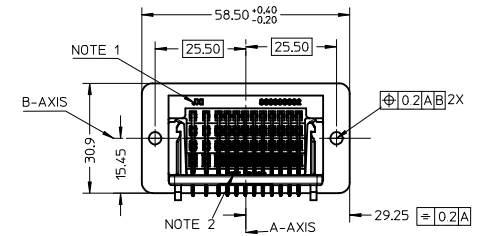
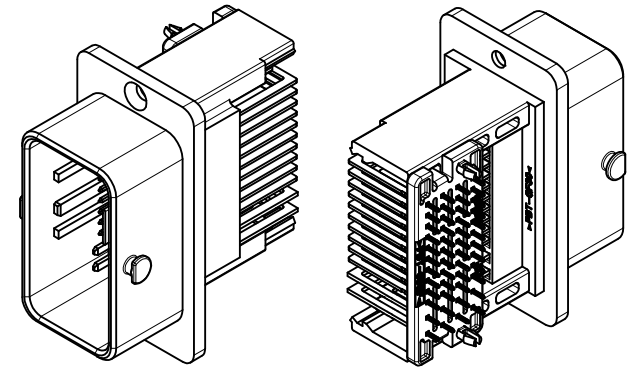


TABLE 'A'

| | | | | | | | | |
|-----------------|---|-----------|---------------|---------------------------------|----------------------|------|-----|--|
| ASSY CMC HEADER | ASSY CMC 48 WAY 48 CKT (THROUGH HOLE) SEE ADDITIONAL FRONT VIEW "M" | 366380020 | BLACK | AVAILABLE (SEE VIEW 'A') | 1.6 | 1.5 | 8 | L1 & M1,L2 & M2 L3 & M3,L4 & M4 |
| | | 366380021 | BROWN | | | | | A1 TO H1,J1 AND K1 A2 TO H2,J2 AND K2 A3 TO H3,J3 AND K3 A4 TO H4,J4 AND K4 |
| | | 366380022 | BLACK | NOT AVAILABLE (SEE VIEW 'B') | 0.8/1.6/2.0 | 0.64 | 40 | |
| | | 366380023 | BROWN | | | | | |
| ASSY CMC HEADER | ASSY CMC 48 WAY 48 CKT (COUNTER SINK) SEE ADDITIONAL FRONT VIEW "L" | 366380002 | BLACK | AVAILABLE (SEE VIEW 'A') | 1.6 | 1.5 | 8 | L1 & M1,L2 & M2 L3 & M3,L4 & M4 |
| | | 366380003 | BROWN | | | | | A1 TO H1,J1 AND K1 A2 TO H2,J2 AND K2 A3 TO H3,J3 AND K3 A4 TO H4,J4 AND K4 |
| | | 366380004 | BLACK | NOT AVAILABLE (SEE VIEW 'B') | 0.8/1.6/2.0 | 0.64 | 40 | |
| | | 366380005 | BROWN | | | | | |
| ASSY CMC HEADER | ASSY CMC 48 WAY 36 CKT (COUNTER SINK) SEE ADDITIONAL FRONT VIEW "L" | 366380006 | BLACK | AVAILABLE (SEE VIEW 'A') | 1.6 | 1.5 | 6 | L2 & M2 L3 & M3,L4 & M4 |
| | | 366380007 | BROWN | | | | | A2 TO H2,J2 AND K2 A3 TO H3,J3 AND K3 A4 TO H4,J4 AND K4 |
| | | 366380008 | BLACK | NOT AVAILABLE (SEE VIEW 'B') | 0.8/1.6/2.0 | 0.64 | 30 | |
| | | 366380009 | BROWN | | | | | |
| | DESIGNATION | MOLEX PN | CODING COLOUR | PCB LOCKING ON GRID PLATE | FOR PCB OF THICKNESS | SPEC | QTY | CAVITIES NUMBER |
| | | | | | | PIN | | |

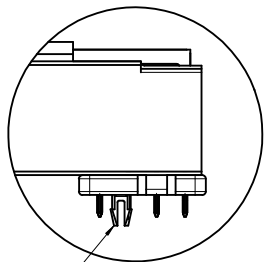


ADDITIONAL BACK VIEW

NOTES :

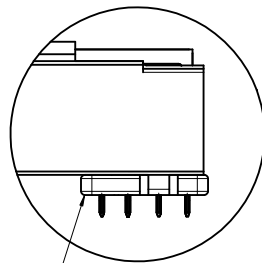
- AREA FOR JXI AND MOLEX PART NUMBER REPRESENTATION
- AREA FOR PLASTIC MATERIAL >PBT-30%GF< DESCRIPTION
- PAINT WITH WHITE COLOR (RoHS COMPLIANT) AT SPECIFIED TWO AREAS
- PAINT WITH BROWN COLOR (RoHS COMPLIANT) AT SPECIFIED AREA ON BOTH SIDE FOR PN: 366380003,366380005, 366380007,366380009, 366380021, 366380023.
- PART TO MEET SOLDERABILITY SPEC SMES-152
- PACKAGING SPECIFICATION:PK-36638-002
- PCB SOLDER HOLE SIZE IS DIA 1.1(+0.10/-0.05) FOR THE TERMINALS
- MANUAL/WAVE SOLDER COMPATIBLE.
- FOR OTHER DIMENSION(S) REFER REMAINING VIEWS IN THE DRAWING

VIEW 'A'

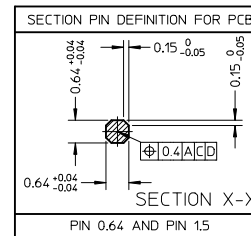


GRID PLATE WITH PCB LOCKING

VIEW 'B'

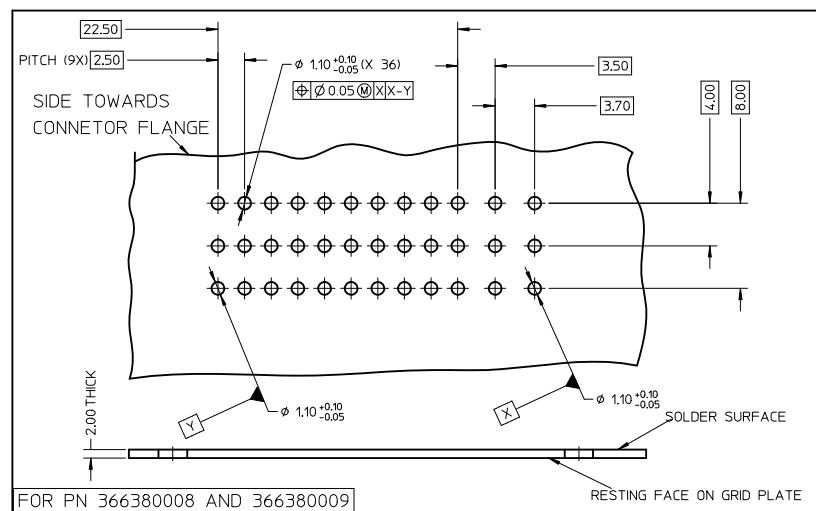
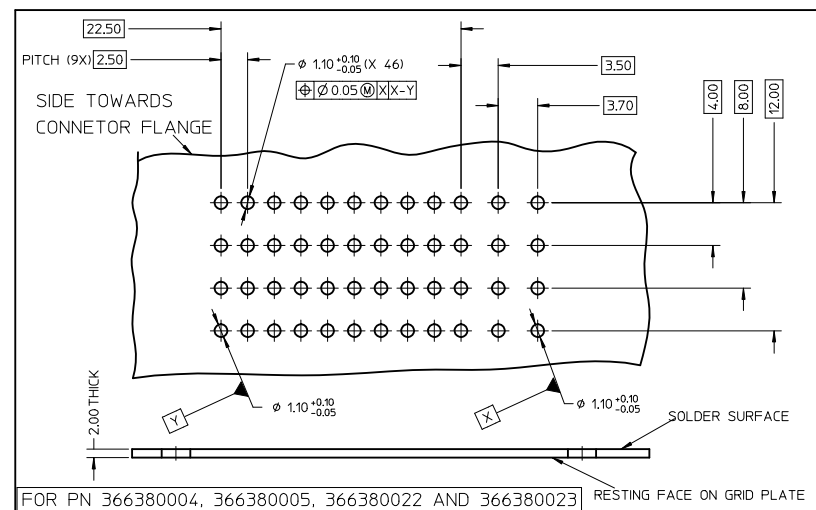
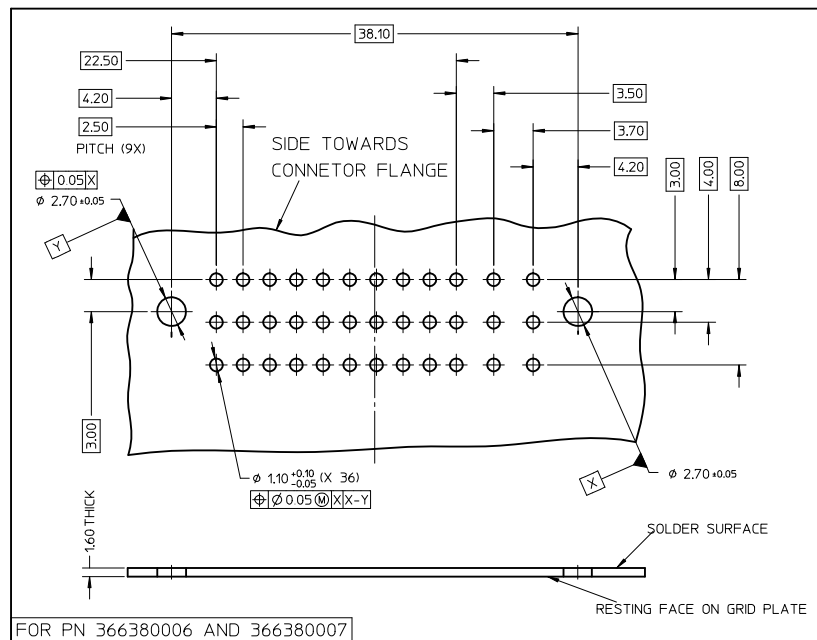
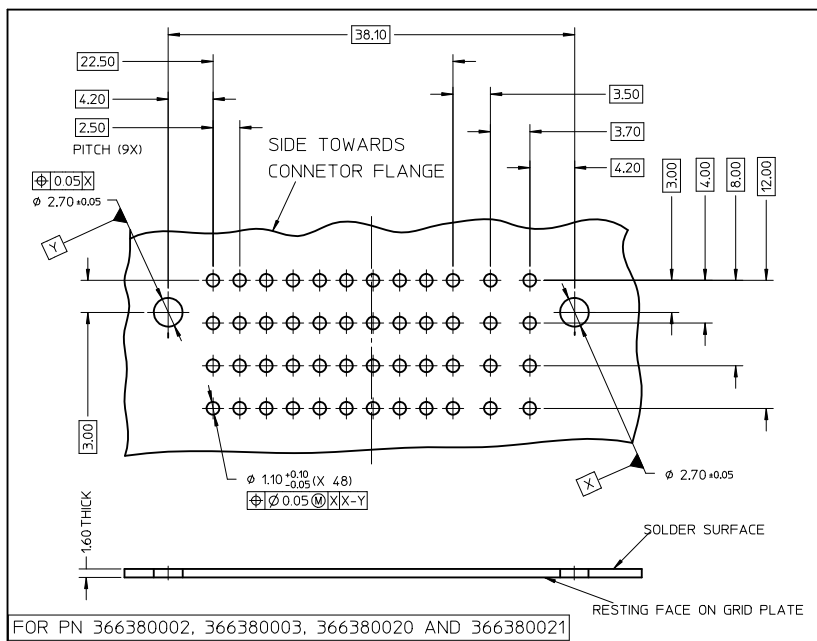


GRID PLATE WITHOUT PCB LOCKING

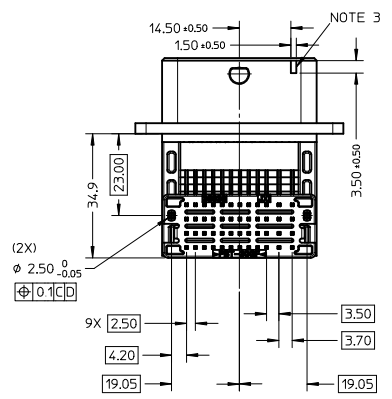
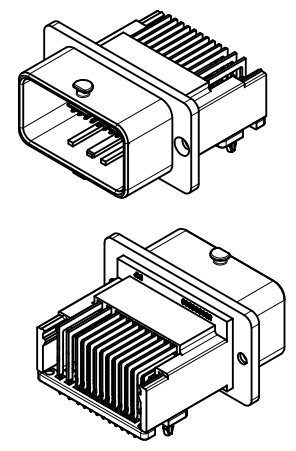
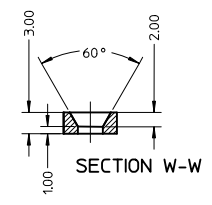
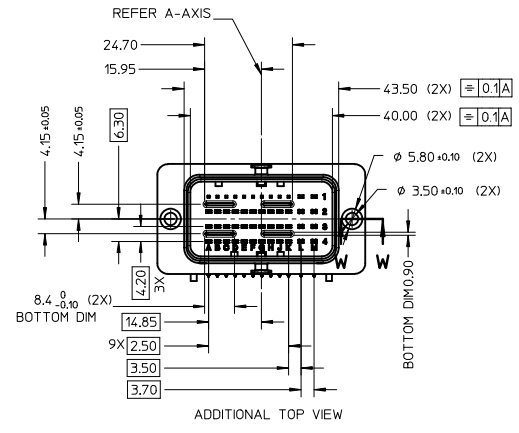
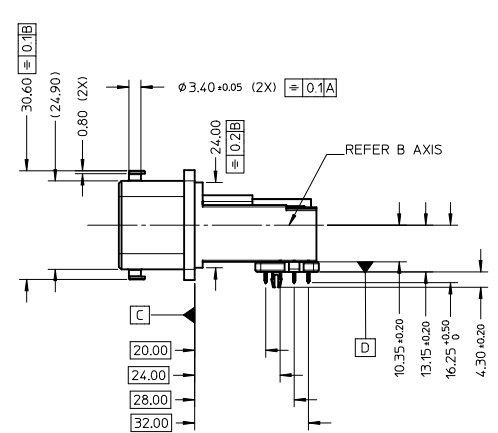
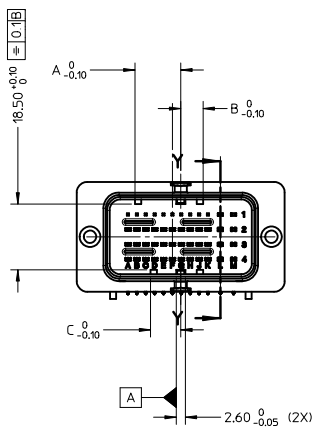


| | | | | | | |
|--|-----------------|--|----------------------------|---|--|------------------------|
| ENTER DESCRIPTION EC NO: 12012-0265 DRWN:WUTTARKAR 2012/04/09 CHKD: CHIKD: APPR:KPRASAD 2012/04/09 | QUALITY SYMBOLS | GENERAL TOLERANCES (UNLESS SPECIFIED) | DIMENSION STYLE MM ONLY | SCALE 1:1 | DESIGN UNITS METRIC | THIRD ANGLE PROJECTION |
| | ▽=0 | 4 PLACES ± --- ± --- | mm INCH | DRAWN BY RUPESH 08/05/2006 | TITLE CMC HEADER 48/48WAY AND 48/36WAY T3 INTERFACE | |
| | ▽=0 | 3 PLACES ± --- ± --- | | DATE 08/05/2006 | | |
| | | 2 PLACES ± 0.1 ± --- | | CHECKED BY DINESH 08/05/2006 | | |
| | | 1 PLACE ± 0.2 ± --- | | APPROVED BY DINESH 08/05/2006 | | |
| | | ANGULAR ± 1° | | MATERIAL NO. | DOCUMENT NO. | SHEET NO. |
| | | DRAFT WHERE APPLICABLE MUST REMAIN WITHIN DIMENSIONS | | SEE TABLE 'A' | SD-36638-002 | 2 OF 3 |
| | | | | THIS DRAWING CONTAINS INFORMATION THAT IS PROPRIETARY TO MOLEX INCORPORATED AND SHOULD NOT BE USED WITHOUT WRITTEN PERMISSION | | |

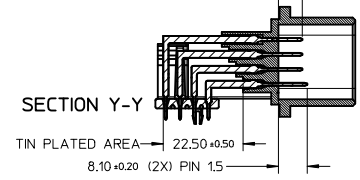
INTERFACE PCB DEFINITION (SOLDER SIDE)



| | | | | | | | |
|--|-------------------------------|---|---|---|------------------------------------|------------------------|------------------------|
| ENTER DESCRIPTION EC NO: 12012-0265 DRAWN: VUTTARKAR 2012/04/09 CHKD: CHIKR APPR: KRASAD 2012/04/09 11 | QUALITY SYMBOLS ▽=0 ▽=0 | GENERAL TOLERANCES (UNLESS SPECIFIED) mm INCH | | DIMENSION STYLE MM ONLY | SCALE 1:1 | DESIGN UNITS METRIC | THIRD ANGLE PROJECTION |
| | | 4 PLACES ± --- ± --- 3 PLACES ± --- ± --- 2 PLACES ± 0.1 ± --- 1 PLACE ± 0.2 ± --- ANGULAR ± 1° | DRAWN BY ROOPESH 08/05/2006 CHECKED BY DINESH 08/05/2006 APPROVED BY DINESH 08/05/2006 | DATE TITLE CMC HEADER 48/48WAY AND 48/36WAY T3 INTERFACE | MOLEX INCORPORATED SD-36638-002 | SHEET NO. 3 OF 3 | |
| DRAFT WHERE APPLICABLE MUST REMAIN WITHIN DIMENSIONS | | SEE TABLE 'A' | | THIS DRAWING CONTAINS INFORMATION THAT IS PROPRIETARY TO MOLEX INCORPORATED AND SHOULD NOT BE USED WITHOUT WRITTEN PERMISSION | | | |



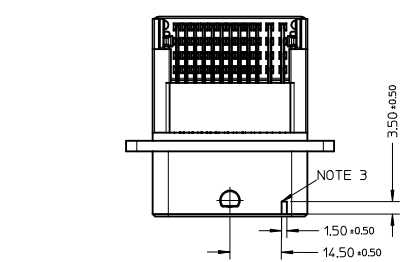
0.64x0.64 TERMINAL
GOLD PLATED AT CONTACT AREA (6.7+0.5mm)
6.70+0.20 (x4) PIN0.64 & PIN1.5 (x6)



| | | |
|-----------|-------|-----------|
| D | 6.30 | 366380013 |
| C | 8.50 | & |
| B | 6.30 | 366380019 |
| A | 12.90 | (BLACK) |
| DIMENSION | | MOLEX PN |

| | | | | | |
|--------|-----------------------------|----------------------|---|----|----|
| 5 | GRID PLATE WITHOUT PCB LOCK | PBT 30% GLASS FILLED | BLACK | 0 | 1 |
| 4 | GRID PLATE WITH PCB LOCK | | BLACK | 1 | 0 |
| 3 | HOUSING | | BLACK | 1 | 1 |
| 2 | 1.5 | CuZn30 | NICKEL UNDERCOAT: 1.3µM TO 2.2µM | 6 | 6 |
| 1 | 0.64 | CuZn30 | OVERCOAT:SELECTIVE GOLD 1.27µM Min & MATTE TIN 4µM TO 5µM | 30 | 30 |
| SL NO. | DESIGNATION | MATERIAL | FINISH | | |

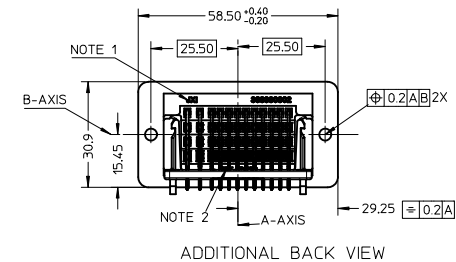
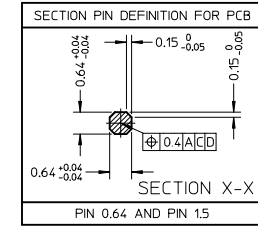
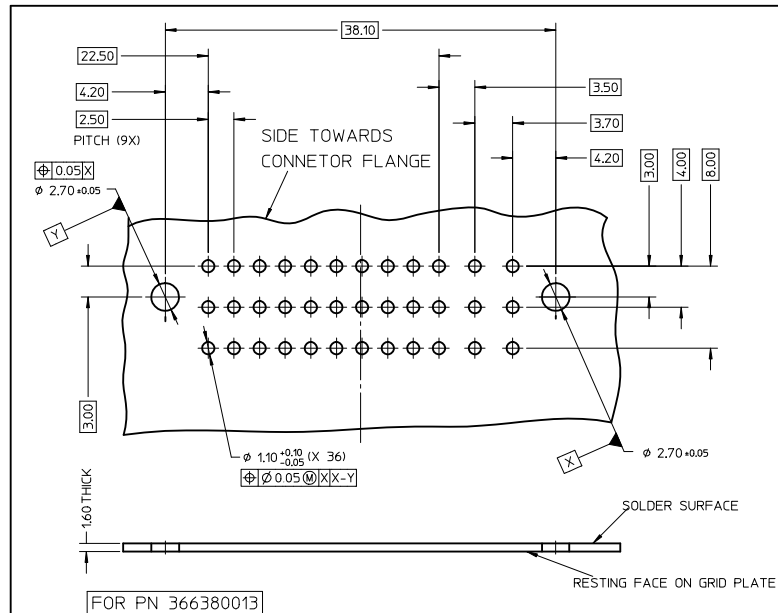
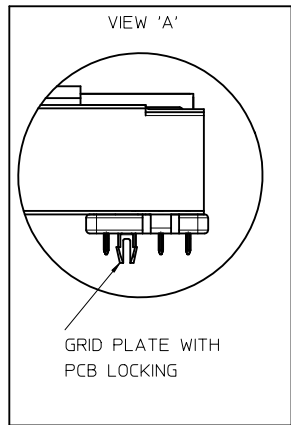
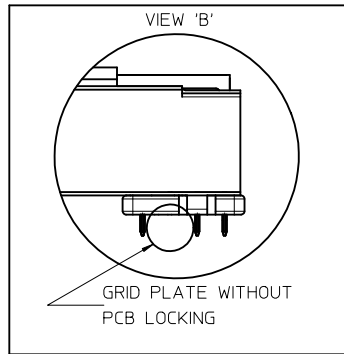
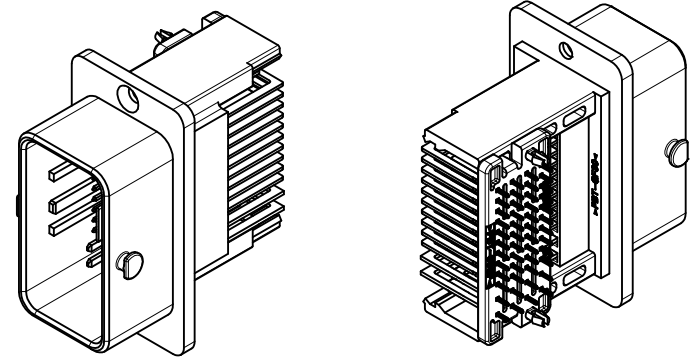
| | |
|-----------|-----------|
| 366380013 | 366380019 |
| BOM QTY | |



| | | | | | | | | |
|--|---------------------------|-----------------|---|---|--------------------|---|------------------------------|---------------------|
| CORRECTED P/N-SHZ EC NO: 12012-0265 DRWN:VUTTARKAR CHKD: APPR:KPRASAD REV 4 | DESCRIPTION 2012/04/09 | QUALITY SYMBOLS | GENERAL TOLERANCES (UNLESS SPECIFIED) | DIMENSION STYLE MM ONLY | SCALE 1:1 | DESIGN UNITS METRIC | THIRD ANGLE PROJECTION | |
| | | ▽=0 | m/m INCH | DRAWN BY SNS01 | DATE 2010/07/20 | TITLE CMC HEADER 48/36WAY T3 INTERFACE | | |
| | | ▽=0 | 4 PLACES ± --- ± --- | CHECKED BY | DATE | APPROVED BY KPRASAD | DATE 2010/10/26 | MATERIAL NO. |
| | | ▽=0 | 3 PLACES ± --- ± --- 2 PLACES ± 0.1 ± --- 1 PLACE ± 0.2 ± --- ANGULAR ± 1/2° | APPROVED BY | DATE | MOLEX INCORPORATED | DOCUMENT NO. SD-36638-013 | SHEET NO. 1 OF 2 |
| DRAFT WHERE APPLICABLE MUST REMAIN WITHIN DIMENSIONS | | SEE TABLE 'A' | | THIS DRAWING CONTAINS INFORMATION THAT IS PROPRIETARY TO MOLEX INCORPORATED AND SHOULD NOT BE USED WITHOUT WRITTEN PERMISSION | | | | |

TABLE 'A'

| | | | | | | | |
|-----------------|--|---------------|---------------------------|---------------------------------|-----|-----------------|--|
| ASSY CMC HEADER | ASSY CMC 48 WAY 36 CKT W/O PCB LOCK | 366380019 | BLACK | NOT AVAILABLE (SEE VIEW 'B') | 1.6 | 1.5 | L2 & M2 L3 & M3,L4 & M4 |
| | | | | | | 0.64 | A2 TO H2,J2 AND K2 A3 TO H3,J3 AND K3 A4 TO H4,J4 AND K4 |
| | ASSY CMC 48 WAY 36 CKT WITH PCB LOCK | 366380013 | BLACK | AVAILABLE (SEE VIEW 'A') | 1.6 | 1.5 | L2 & M2 L3 & M3,L4 & M4 |
| | | | | | | 0.64 | A2 TO H2,J2 AND K2 A3 TO H3,J3 AND K3 A4 TO H4,J4 AND K4 |
| DESIGNATION | MOLEX PN | CODING COLOUR | PCB LOCKING ON GRID PLATE | FOR PCB OF THICKNESS | PIN | CAVITIES NUMBER | |



NOTES:

1. AREA FOR JXI AND MOLEX PART NUMBER REPRESENTATION
2. AREA FOR PLASTIC MATERIAL >PBT-30%GF< DESCRIPTION
3. PAINT WITH WHITE COLOR (ROHS COMPLIANT) AT SPECIFIED TWO AREAS
4. PART TO MEET SOLDERABILITY SPEC SMES-152
5. PACKAGING SPECIFICATION:PK-36638-002
6. PCB SOLDER HOLE SIZE IS DIA 1.1 (+0.10/-0.05) FOR THE TERMINALS
7. MANUAL/WAVE SOLDER COMPATIBLE.
8. MATES WITH PART NO.643202311/643204311.

| | | | | | | | | | | |
|---|-------------------------------|---------------------------------------|-------|---|------------|--|--------------------------|------------------------|--|--|
| CORRECTED P/N-SH2 EC NO: I2012-0265 DRWN:VITTARAR 2012/04/09 CHKD: APPR:KPRASAD 2012/04/09 REV 4 | QUALITY SYMBOLS ▽=0 ▽=0 | GENERAL TOLERANCES (UNLESS SPECIFIED) | | DIMENSION STYLE | | SCALE | DESIGN UNITS | THIRD ANGLE PROJECTION | | |
| | | mm | INCH | MM ONLY | | 1:1 | METRIC | | | |
| | | 4 PLACES ± --- | ± --- | DRAWN BY | DATE | TITLE | | | | |
| | | 3 PLACES ± --- | ± --- | SNS01 | 2010/07/20 | CMC HEADER 48/36WAY T3 INTERFACE | | | | |
| 2 PLACES ± 0.1 | ± --- | CHECKED BY | DATE | APPROVED BY | | DATE | MOLEX MOLEX INCORPORATED | | | |
| 1 PLACE ± 0.2 | ± --- | ANGULAR ±1/2° | | KPRASAD | 2010/10/26 | DOCUMENT NO. | | SD-36638-013 | | |
| DRAFT WHERE APPLICABLE MUST REMAIN WITHIN DIMENSIONS | | | | MATERIAL NO. | | SHEET NO. | | 2 OF 2 | | |
| SIZE A2 | | | | THIS DRAWING CONTAINS INFORMATION THAT IS PROPRIETARY TO MOLEX INCORPORATED AND SHOULD NOT BE USED WITHOUT WRITTEN PERMISSION | | | | | | |