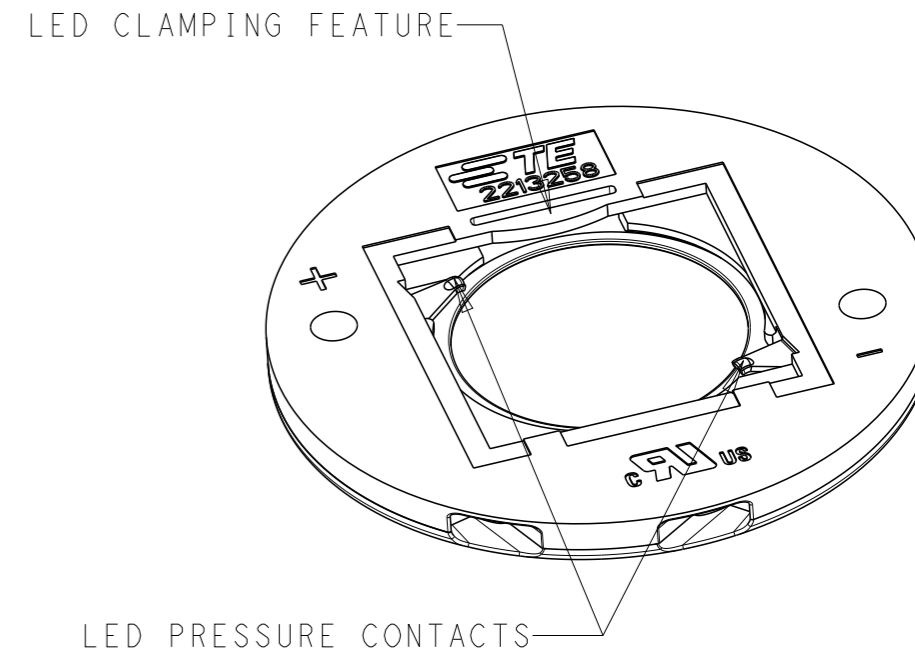
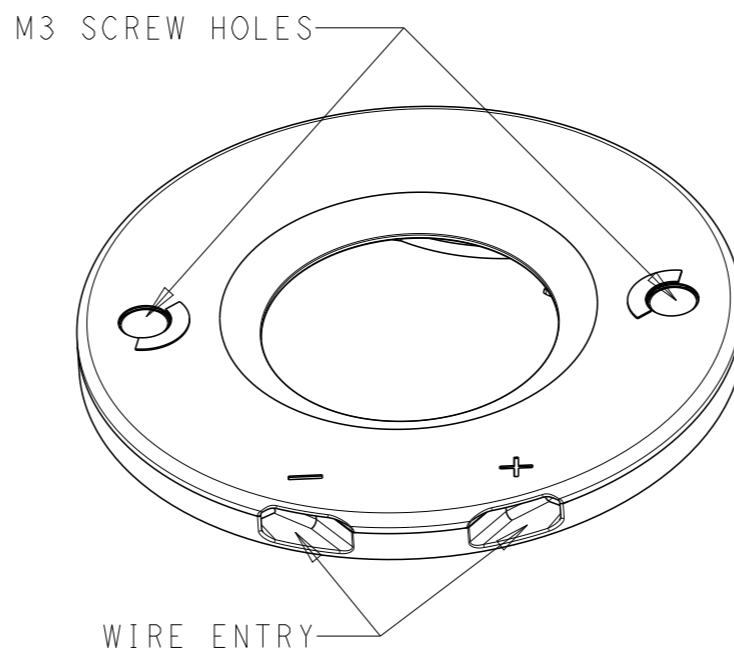
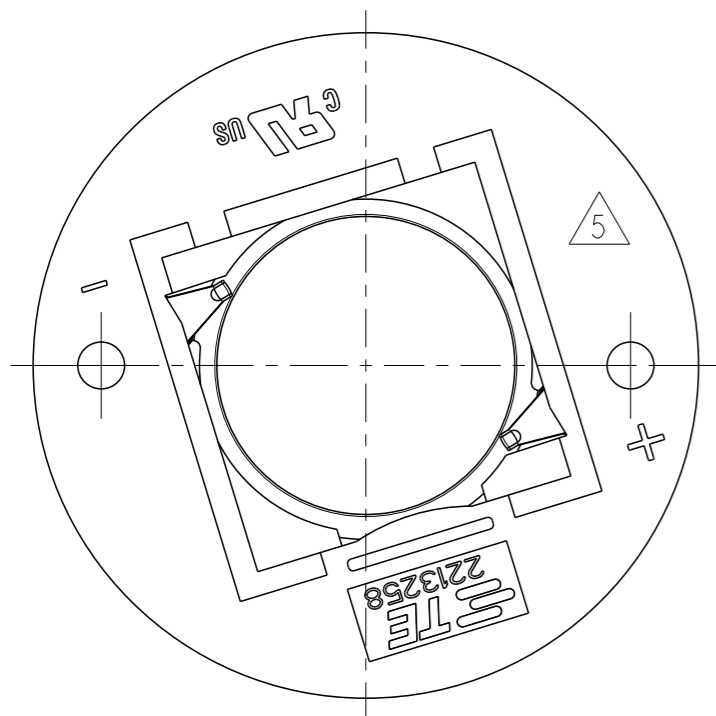
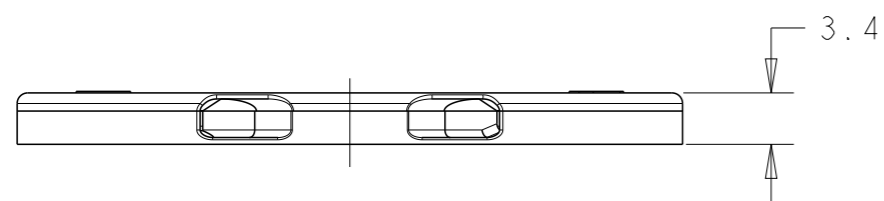
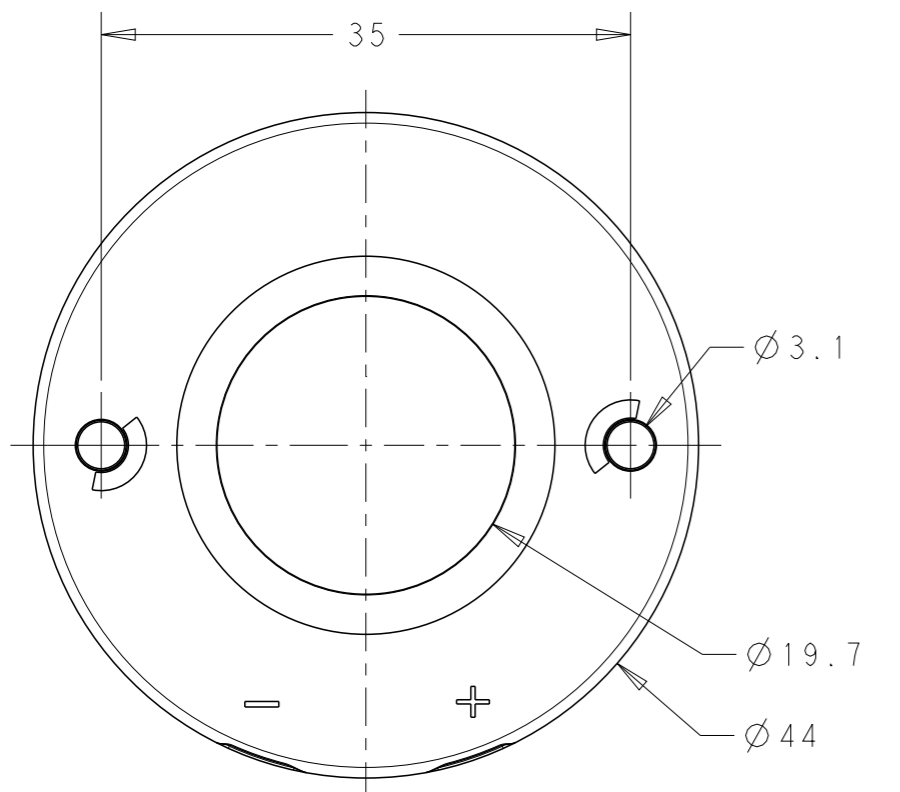


REVISIONS

P	LTR	DESCRIPTION	DATE	DWN	APVD
	A	RELEASED PER ECR-13-012557	07AUG2013	MVE	OL
	A1	ECR-16-001206	27JAN2016	KR	MvE
	A2	ECR-16-005694	19APR2016	KR	MvE
	B	ADDED RELEASED LED	06FEB2017	KR	MvE



NOTES.

- MATERIALS:
HOUSING: GLASS FILLED PBT,
COLOR: NATURAL/WHITE
CONTACTS: SILVER PLATED COPPER ALLOY
- FOR SOLID AND STANDARD WIRE AWG 22-18
- COMPLIES WITH DIRECTIVE 2002/95/EC (ROHS)
- M3 SCREW TO BE USED FOR MOUNTING

△ DATE CODE YY-WW-D ANY WHERE EXCEPT OVER LOGO OR +/- SIGN.

2213258-1 AS SHOWN

Z50 LED HOLDER LOW PROFILE

PART NO	DESCRIPTION
2213258-2	Z50 LED HOLDER STANDARD PROFILE 2121
2213258-1	Z50 LED HOLDER LOW PROFILE 2121

THIS DRAWING IS A CONTROLLED DOCUMENT.	
DIMENSIONS: mm	TOLERANCES UNLESS OTHERWISE SPECIFIED:
	0 PLC ±-
	1 PLC ±-
	2 PLC ±-
	3 PLC ±-
	4 PLC ±-
	ANGLES ±-
MATERIAL	FINISH
-	-
-	-

DWN	07AUG2013
M.V.ESSEN	
CHK	07AUG2013
M.V.ESSEN	
APVD	07AUG2013
O.I.FIJNSE	
PRODUCT SPEC	108-133008
APPLICATION SPEC	114-32048
WEIGHT	-
CUSTOMER DRAWING	

TE Connectivity		NAME	
		LUMAWISE Z50 LED HOLDER ASSY 2121	
SIZE	CAGE CODE	DRAWING NO	RESTRICTED TO
A3	00779	C-2213258	-
SCALE		SHEET	REV
2:1		1 OF 3	B

THIS DRAWING IS UNPUBLISHED.

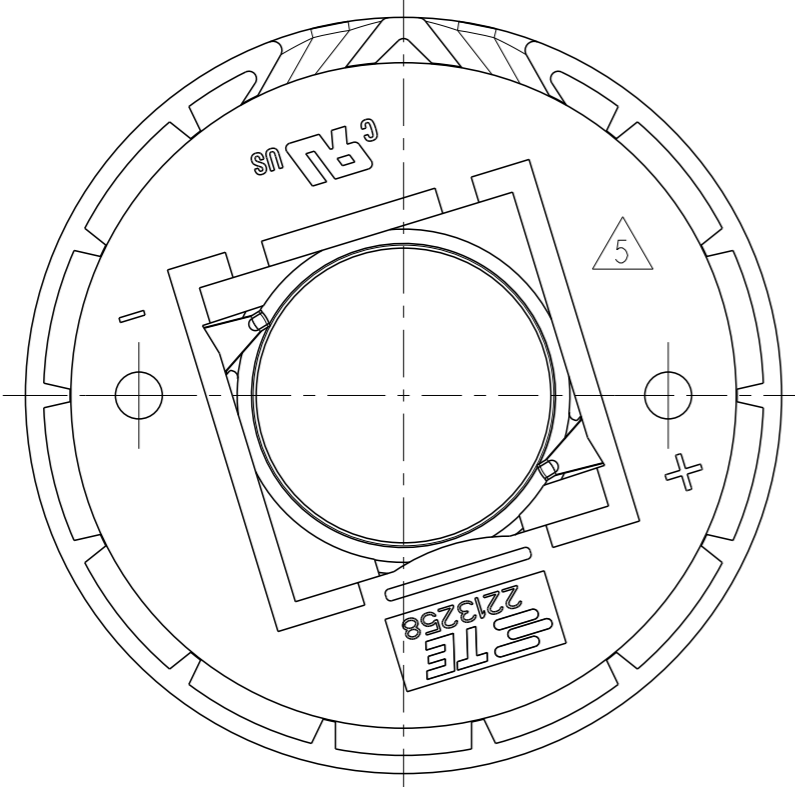
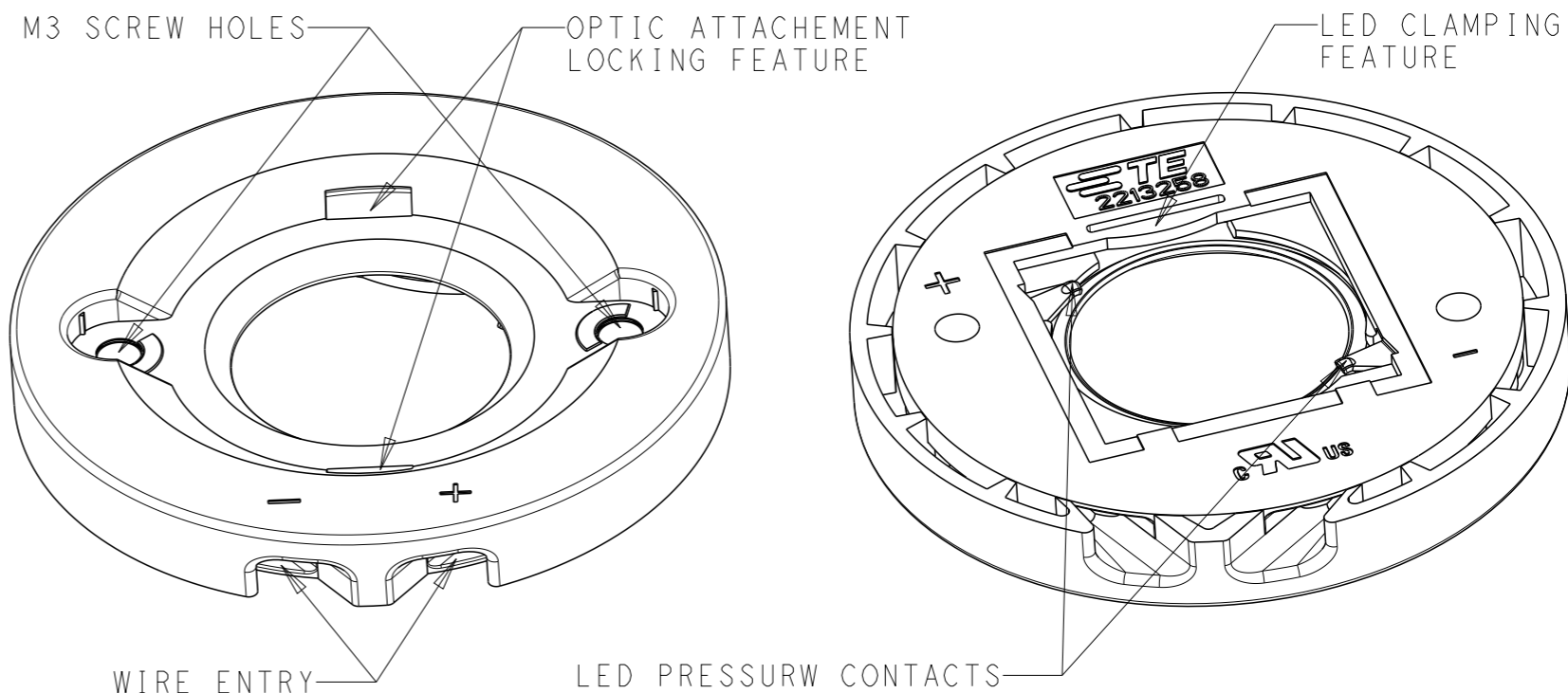
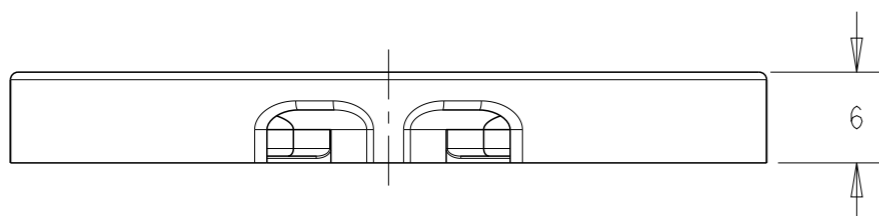
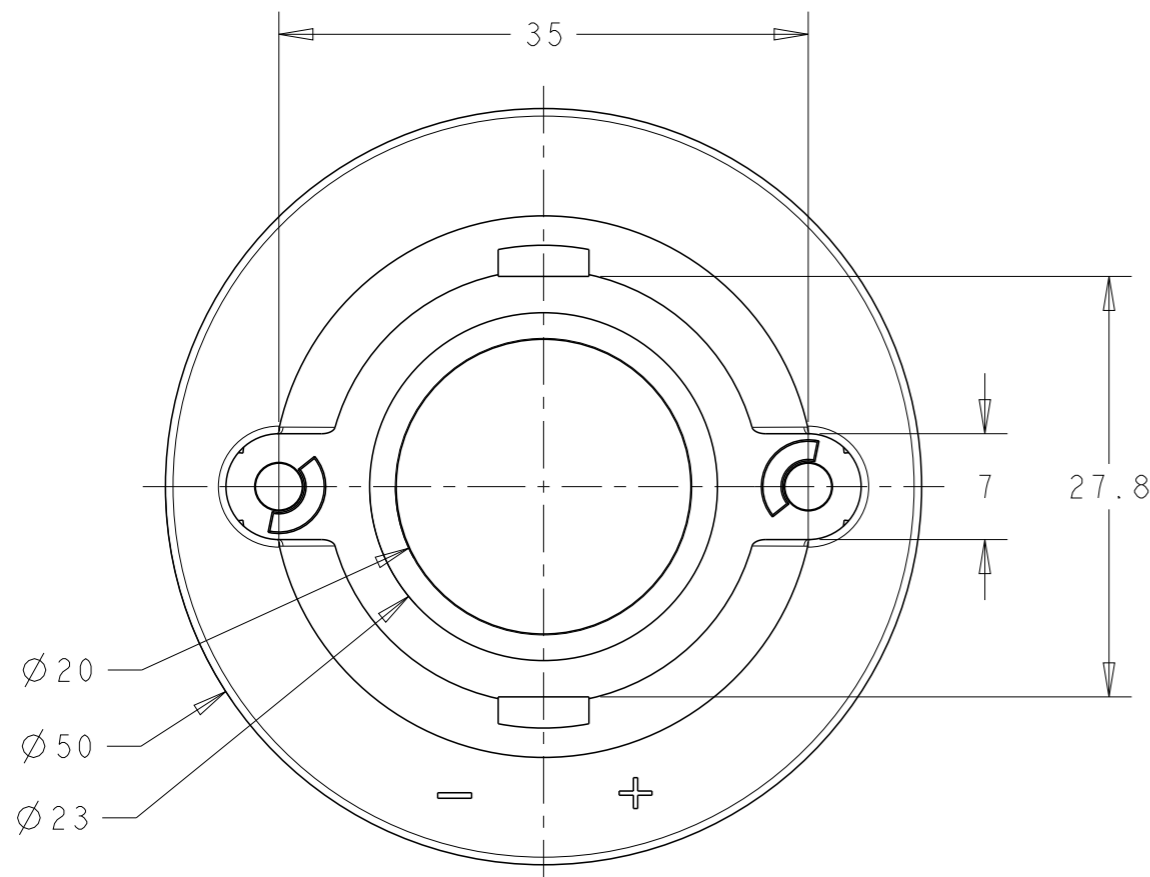
RELEASED FOR PUBLICATION

20

© COPYRIGHT 20 BY - ALL RIGHTS RESERVED.


REVISIONS

P	LTR	DESCRIPTION	DATE	DWN	APVD
-	-	SEE SHEET 1	-	-	-



2213258-2 AS SHOWN

Z50 LED HOLDER STANDARD PROFILE

THIS DRAWING IS A CONTROLLED DOCUMENT.		DWN M.V.ESSSEN 07AUG2013	 TE Connectivity NAME LUMAWISE Z50 LED HOLDER ASSY 2121					
DIMENSIONS: mm		CHK M.V.ESSSEN 07AUG2013				PRODUCT SPEC 108-133008	SIZE A3	CAGE CODE 00779
TOLERANCES UNLESS OTHERWISE SPECIFIED:		APVD O.IEIJNSE 07AUG2013				APPLICATION SPEC 114-32048	DRAWING NO C-2213258	RESTRICTED TO -
0 PLC ±- 1 PLC ±- 2 PLC ±- 3 PLC ±- 4 PLC ±- ANGLES ±-		MATERIAL -				WEIGHT -	SCALE 2:1	SHEET 2 OF 3
MATERIAL -		FINISH -	CUSTOMER DRAWING	REV B				

4

3

2

1

THIS DRAWING IS UNPUBLISHED.

RELEASED FOR PUBLICATION

20

© COPYRIGHT 20

BY -

ALL RIGHTS RESERVED.

REVISIONS

P	LTR	DESCRIPTION	DATE	DWN	APVD
	-	SEE SHEET 1	-	-	-

THE SKETCH BELOW IS SHOWING THE NOMINAL LED COB DIMENSION TO MATCH WITH THE Z50 LED HOLDER 2121

FOR TECHNICAL DETAILS ABOUT A PROPER MATCH WITH A SPECIFIC LED COB ARRAY PLEASE CONTACT A REPRESENTATIVE AT TE-CONNECTIVITY

21.5

7.5

CONTACT POINT LOCATION

7.7

21.5

1.0

0.9

RELEASED LED_s

NAME	TYPE	DATA SHEET	REVISION	TE PART NUMBER
SAMSUNG	LC026B			2213258-1/2
SAMSUNG	LC040B			2213258-1/2
SAMSUNG	LC033B			2213258-1/2

THIS DRAWING IS A CONTROLLED DOCUMENT.

DWN M.V.ESSEN 07AUG2013

CHK M.V.ESSEN 07AUG2013

APVD O.I.FIJNSE 07AUG2013

PRODUCT SPEC 108-133008

APPLICATION SPEC 114-32048

WEIGHT -

CUSTOMER DRAWING

TE Connectivity

NAME
LUMAWISE
Z50 LED HOLDER ASSY 2121

SIZE	CAGE CODE	DRAWING NO	RESTRICTED TO
A3	00779	C=2213258	-

SCALE	SHEET	OF	REV
4:1	3	3	B

DIMENSIONS:
mmTOLERANCES UNLESS
OTHERWISE SPECIFIED:

0 PLC	±-
1 PLC	±-
2 PLC	±-
3 PLC	±-
4 PLC	±-
ANGLES	±-

MATERIAL

FINISH

-

-

1470-19 (3/13)