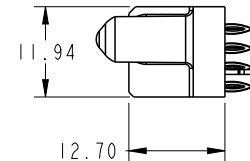
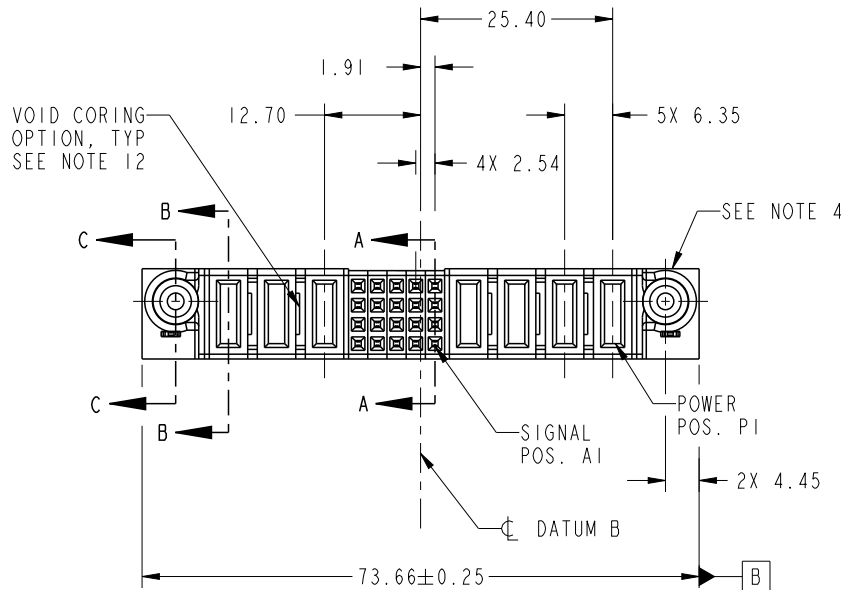


PRODUCT NO.	ROWS	POWER				SIGNAL				POWER			E1	
		E2	P7	P6	P5	P4	P3	P2	P1	P3	P2	P1		
51940-416-- NOTE: 3	D C B A		PC	PC	PC	F	F	F	F	F	F	F	F	

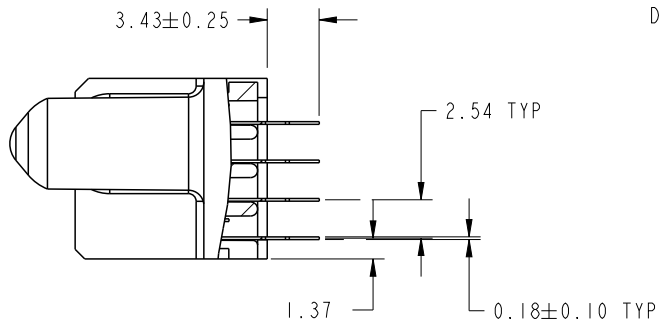


CODE	DIM "M" MATING LENGTH	CONTACT TYPE
PC	[1.07]	POWER
PF	[2.34]	POWER
F	[N/A]	SIGNAL
HA	[N/A]	HOLD-DOWN

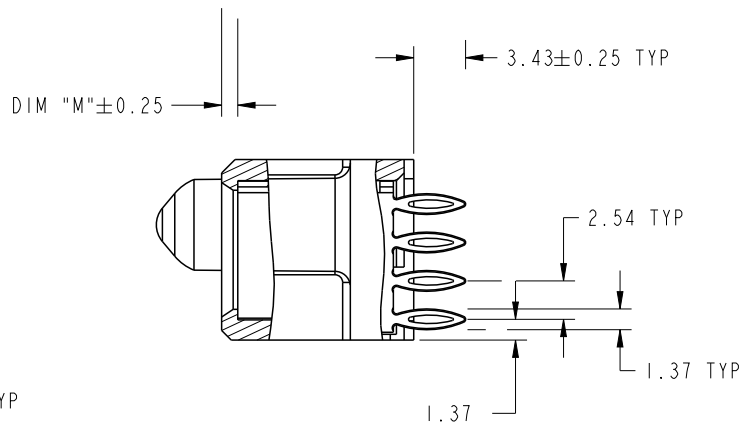
spec ref	*	dr	Shi Guang	2011/12/19	projection	MM	size	A4	scale	1:1				
tolerance std	TOLERANCES UNLESS OTHERWISE SPECIFIED	eng	Luo Weller	2013/03/06			ecn no	-						
SEE NOTE		chr	-	-										
surface	linear	0.X	±0.5		title	4P + 20S + 3P	www.fci.com	cat. no.	* Product - Customer Drw	sheet 1 of 4				
✓	0.XX	±0.25	VERTICAL PF RECEPT								dwg no	51940-416	rev	A
	0.XXX	±0.1												
angular	0°	±2°	www.fci.com	cat. no.	*	Product - Customer Drw	sheet 1 of 4							

PRODUCT NUMBER

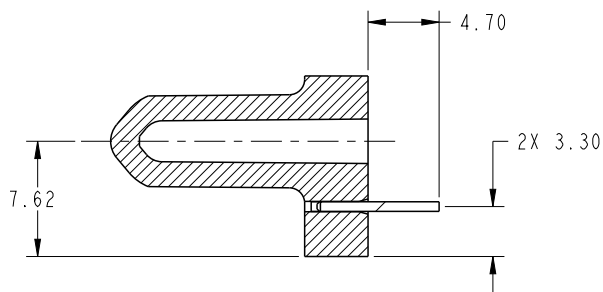
51940-416__
NOTE: 3



SECTION A-A
SCALE 2:1



SECTION B-B
SCALE 2:1

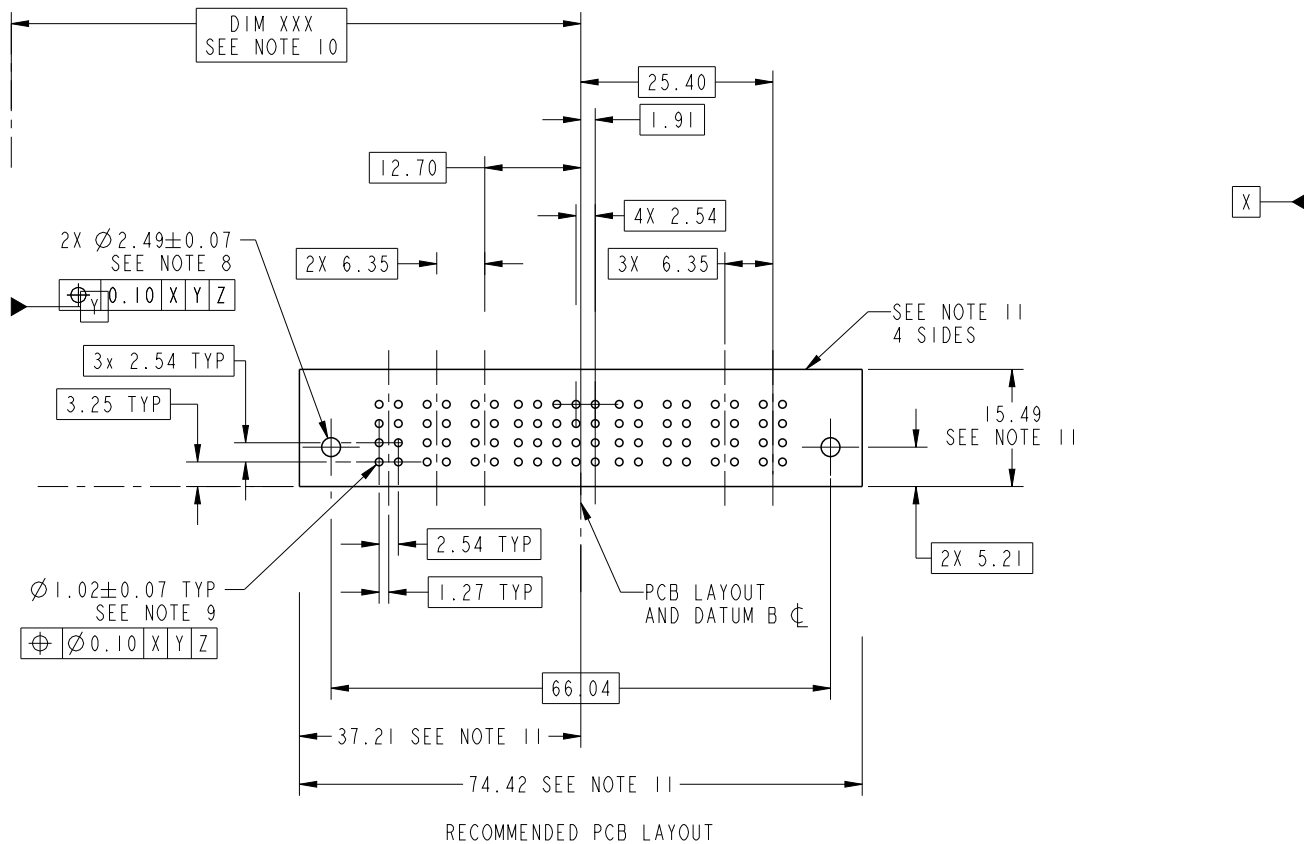


SECTION C-C
SCALE 2:1

dr	Shi Guang	2011/12/19	projection 	MM ←————→	size	A4	scale	1:1
eng	Luo Weller	2013/03/06			ecn no	-		
chr	-	-			rel level	Released		
appr	Pei-Ming Zheng	2013/03/06	product family	PwrBlade	rev	A		
	title	4P + 20S + 3P VERTICAL PF RECEPT		dwg no	51940-416			
www.fci.com	cat. no.	*	Product - Customer Drw		sheet 2 of 4			

PRODUCT NUMBER

51940-416__
NOTE: 3



dr	Shi Guang	2011/12/19	projection 	MM ←→	size	A4	scale	1:1	
eng	Luo Weller	2013/03/06			ecn no	-			
chr	-	-			rel level	Released			
appr	Pei-Ming Zheng	2013/03/06	product family	PwrBlade					
		title	4P + 20S + 3P VERTICAL PF RECEPT		dwg no	51940-416		rev	A
www.fci.com		cat. no.	*	Product - Customer Drw			sheet 3 of 4		

PRODUCT NUMBER

51940-416__
NOTE: 3

NOTES:

1. DIMENSIONS AND TOLERANCES ARE IN ACCORDANCE WITH ASME Y14.5M, 1994 UNLESS OTHERWISE SPECIFIED.

CONNECTOR NOTES:

- ② HOUSING MATERIAL: UL 94 V-0 GLASS FILLED HIGH-TEMP THERMOPLASTIC
POWER CONTACT MATERIAL: COPPER ALLOY
SIGNAL PIN MATERIAL: COPPER ALLOY
- 3. SEE ITEM 7 & 8 IN PRINT 10064183 FOR PLATING SPEC OF 51940-416 AND 51940-416LF RESPECTIVELY.
- ④ MANUFACTURER'S NAME, DATE CODE AND OPTIONAL P/N TO APPEAR ON THIS SURFACE. THE P/N CAN BE OMITTED IF THERE IS NOT ENOUGH SPACE ON THIS SURFACE.
- 5. PRODUCT SPECIFICATION GS-12-149.
APPLICATION SPECIFICATION BUS-20-067.
- 6. PACKAGED IN TRAYS.
- PCB NOTES:
- 7. ALL HOLE DIAMETERS ARE FINISHED HOLE SIZE.
- ⑧ MOUNTING HOLES, WHERE APPLICABLE, ARE UNPLATED.
- ⑨ $\varnothing 1.151 \pm 0.025$ DRILLED HOLES PLATED WITH
0.008 MIN SnPb OR Sn OVER 0.03
TO 0.08 Cu PLATING TO ACHIEVE
 $\varnothing 1.02 \pm 0.07$ HOLE.
- ⑩ "DIM XXX" TO BE DETERMINED BY THE CUSTOMER.
- ⑪ CONNECTOR KEEP-OUT ZONE.
- 12. THE VOID CORING IN BETWEEN POWER MODULES, SIGNAL MODULES AND END MODULES ARE OPTIONAL AND THE SHAPE MAY BE DIFFERENT FOR OPTIMIZE THE MOLDING PROCESS. THE VOID CORING WILL NOT EFFECT TO PRODUCT FUNCTION.

A

B

C

D

A

B

C

D



Copyright FCI.

dr	Shi Guang	2011/12/19	projection 	MM 	size	A4	scale	1:1
eng	Luo Weller	2013/03/06			ecn no	-		
chr	-	-						
appr	Pei-Ming Zheng	2013/03/06	product family	PwrBlade	rel level	Released		
	title	4P + 20S + 3P VERTICAL PF RECEPT		dwg no	51940-416		rev	A
www.fci.com	cat. no.	*	Product - Customer Drw			sheet 4 of 4		