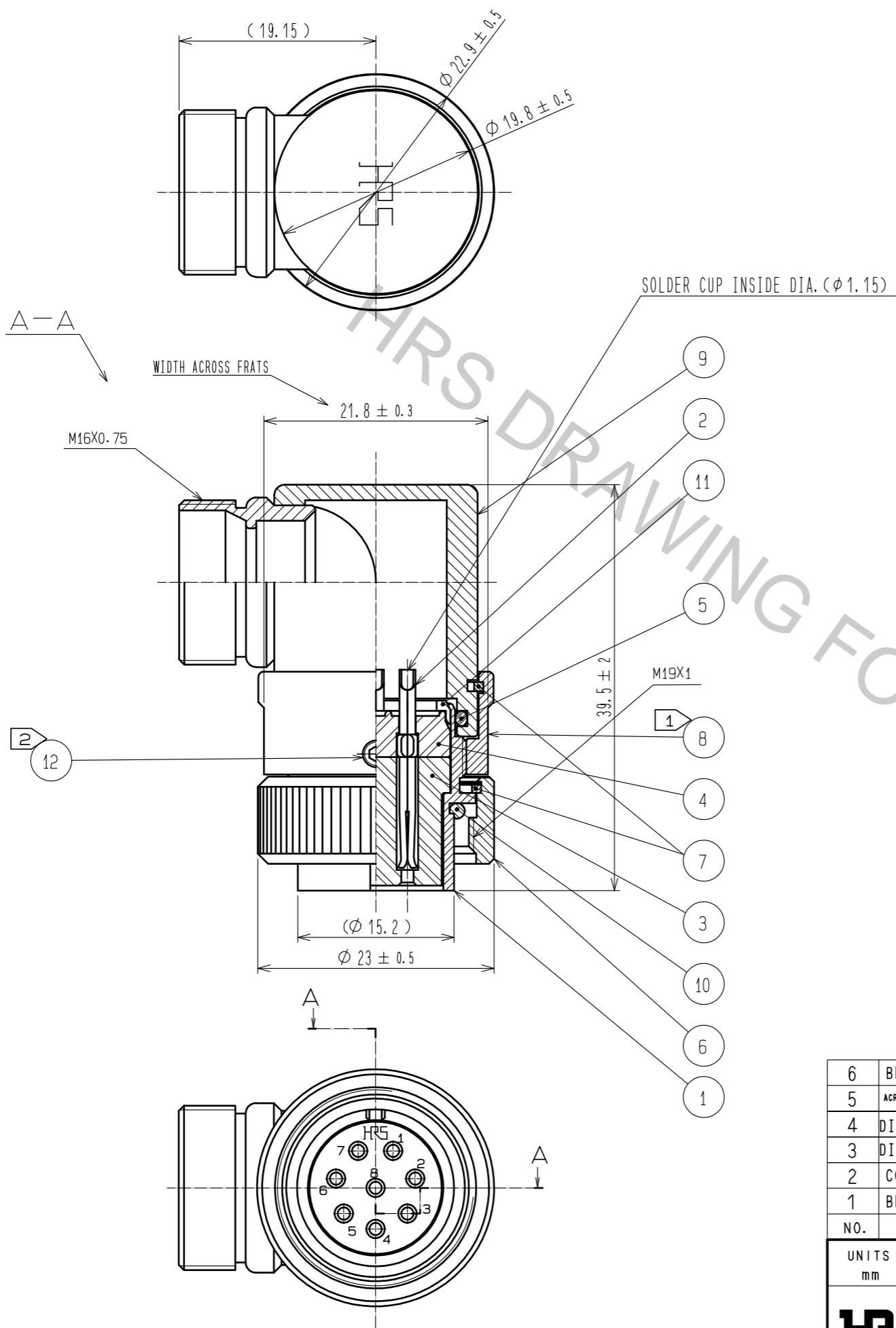


Aug.1.2018 Copyright 2018 HIROSE ELECTRIC CO., LTD. All Rights Reserved.
 In case that the application demands a high level of reliability, such as automotive,
 please contact a company representative for further information.



- NOTES
- ① THE RECOMMENDED CLAMP TORQUE, REF. NO. ⑧ : 3 TO 4 N · m.
 LOCTITE 243, HENKEL JAPAN OR EQUIVALENT IS RECOMMENDED TO PREVENT REF. NO. ⑧ FOR LOOSENING.
 - ② ACROSS FLATS HEXAGON HEAD OF REF. NO. ⑫ : 1.27
 THE RECOMMENDED CLAMP TORQUE, REF. NO. ⑫ : 0.2 TO 0.3 N · m.
 LOCTITE 243, HENKEL JAPAN OR EQUIVALENT IS RECOMMENDED TO PREVENT REF. NO. ⑫ FOR LOOSENING.
 - ③ THIS PRODUCTS TO BE USED WITH CABLE CLAMP, JR13WCC-※(32).
 ※ DESIGNATE DIAMETER(mm) OF APPLICABLE CABLE.
 THE CABLE PULL AND TWISTING STRENGTH AND OTHER CHARACTERISTICS MAY DIFFER, DEPENDING ON THE CABLE STRUCTURE.
 PLEASE CONFIRM BEFORE THE USE.
 - ④ ONE EXAMPLE OF THE ROTATION OF REF. NO. ⑧, ⑨ TO REF. NO. ① IS SHOWN.
 - ⑤ SURFACE AREA:GOLD PLATING 0.2 μm min.
 UNDER PLATING:NICKEL PLATING 3 μm min.

NO.	MATERIAL	FINISH . REMARKS	NO.	MATERIAL	FINISH . REMARKS
6	BRASS	NICKEL PLATING	12	STAINLESS STEEL	JISB1177 HEX SOKET SET SCREW M2.6X0.45X2
5	ACRYLONITRILE BUTADIENE RUBBER	(GRAY)	11	POLYACETAL	(WHITE)
4	DIALLYL PHTHALATE	(BLACK) UL94V-0	10	ACRYLONITRILE BUTADIENE RUBBER	(GRAY)
3	DIALLYL PHTHALATE	(BLACK) UL94V-0	9	BRASS	NICKEL PLATING
2	COPPER ALLOY	⑤	8	BRASS	NICKEL PLATING
1	BRASS	NICKEL PLATING	7	PHOSPHOR BRONZE	NICKEL PLATING

UNITS	SCALE	COUNT	DESCRIPTION OF REVISIONS	DESIGNED	CHECKED	DATE
mm	2 : 1	1	DIS-C-00002212	HY. KISHI	HY. KOBAYASHI	18. 04. 17

APPROVED	CHECKED	DESIGNED	DRAWN	DRAWING NO.	PART NO.	CODE NO.
HY. KOBAYASHI	HY. KOBAYASHI	HY. KISHI	MK. INOUE	EDC-114786-32-00	RM15WTL P-8S(32)	CL109-1889-1-32