

Connector - PRC 3-FC-FS6 8-12 - 1410658

Please be informed that the data shown in this PDF Document is generated from our Online Catalog. Please find the complete data in the user's documentation. Our General Terms of Use for Downloads are valid (<http://phoenixcontact.com/download>)



PRC connector, black, 3-pos., 1.5 mm² ... 6 mm²/630 V/35 A, with screw connection, for cables with a diameter of 8 mm ... 12 mm.



Key Commercial Data

| | |
|--------------------------------------|----------|
| Packing unit | 1 STK |
| Weight per Piece (excluding packing) | 80.0 g |
| Custom tariff number | 85366990 |
| Country of origin | Germany |

Technical data

General data

| | |
|--|------------------------|
| Number of positions | 3 |
| Protection class | II |
| Color | black |
| Locking type | Snap-in locking |
| Insertion/withdrawal cycles | 50 |
| Pull-out-force | 150 N ± 50 N |
| Insertion force | 30 N ± 10 N |
| Degree of protection (when plugged in) | IP66 / IP68 (2m / 24h) |

Connection data

| | |
|---------------------------------------|---|
| Rated current | 35 A (with 6 mm ² conductor cross section) |
| Rated voltage (III/2) | 690 V |
| Conductor cross section flexible min. | 1.5 mm ² |
| Conductor cross section flexible max. | 6 mm ² |

Connector - PRC 3-FC-FS6 8-12 - 1410658

Technical data

Connection data

| | |
|------------------------------------|---------------------|
| Conductor cross section solid min. | 1.5 mm ² |
| Conductor cross section solid max. | 6 mm ² |
| Stripping length | 12 mm |
| Torque | 1 Nm |
| Type of contact | Socket |
| Stripping length of the sheath | 50 mm |

Material data

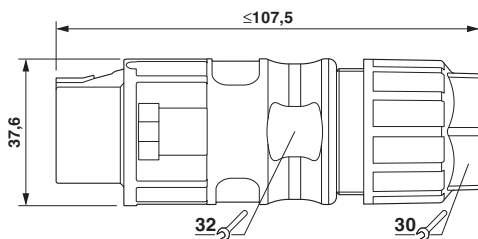
| | |
|--|---------------|
| Contact material | Cu |
| Contact surface material | silver-plated |
| Contact carrier material | mPPE |
| Material of grip body | mPPE |
| Flammability rating according to UL 94 | V0 |

Standards and Regulations

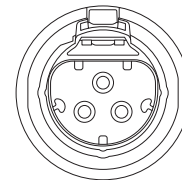
| | |
|--|----|
| Flammability rating according to UL 94 | V0 |
|--|----|

Drawings

Dimensional drawing



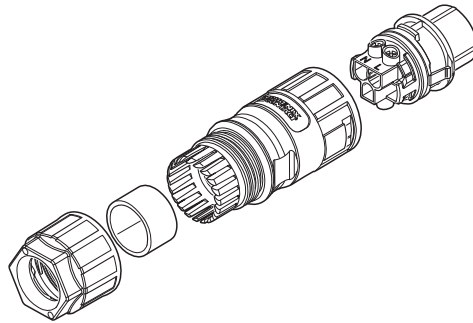
Schematic diagram



Connector pin assignment

Connector - PRC 3-FC-FS6 8-12 - 1410658

Schematic diagram



Classifications

eCl@ss

| | |
|------------|----------|
| eCl@ss 4.1 | 27140816 |
| eCl@ss 5.1 | 27143423 |
| eCl@ss 6.0 | 27279220 |
| eCl@ss 8.0 | 27440102 |
| eCl@ss 9.0 | 27440103 |

ETIM

| | |
|----------|----------|
| ETIM 4.0 | EC002641 |
| ETIM 5.0 | EC002635 |

Approvals

Approvals

Approvals

UL Listed / cUL Listed / EAC / cULus Listed

Ex Approvals

Approvals submitted

Approval details

Connector - PRC 3-FC-FS6 8-12 - 1410658

Approvals

| | |
|--------------------------------|-------|
| UL Listed | |
| mm ² /AWG/kcmil | 14-10 |
| Nominal current I _N | 35 A |
| Nominal voltage U _N | 600 V |

| | |
|--------------------------------|-------|
| cUL Listed | |
| mm ² /AWG/kcmil | 14-10 |
| Nominal current I _N | 35 A |
| Nominal voltage U _N | 600 V |

EAC

| | |
|--------------|--|
| cULus Listed | |
|--------------|--|

Accessories

Accessories

Circular connector (cable-side)

Protective cap - PRC COVER F - 1409236



Protective cap for 3 and 5-pos. PRC field plugs