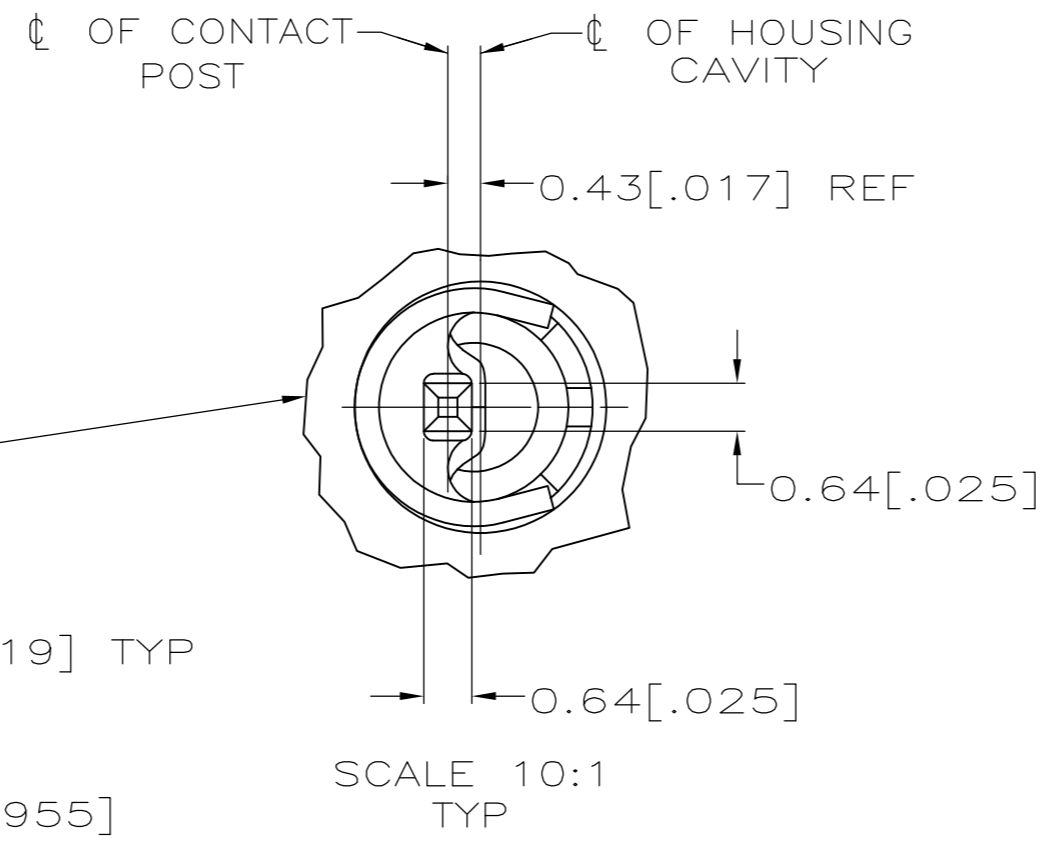
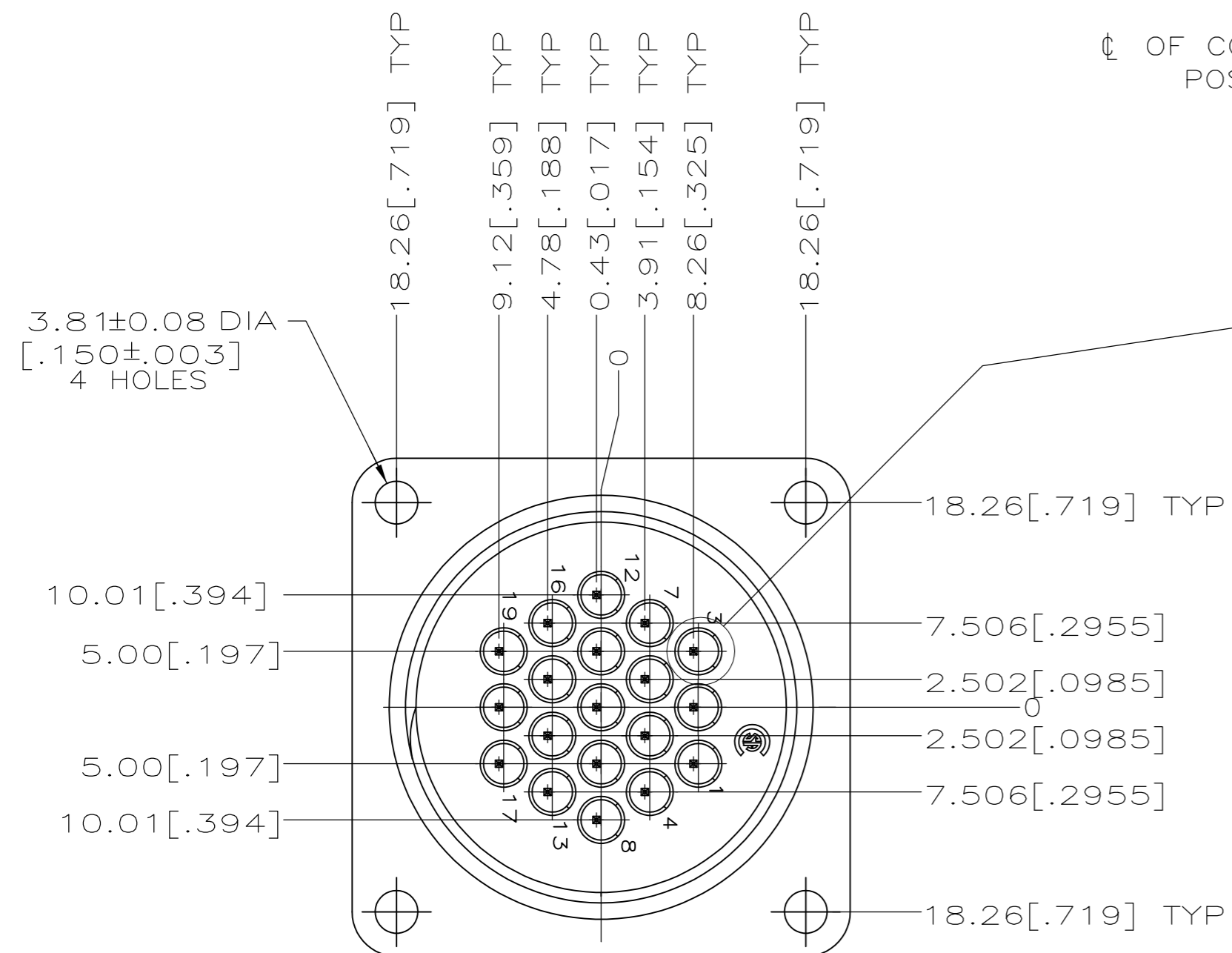
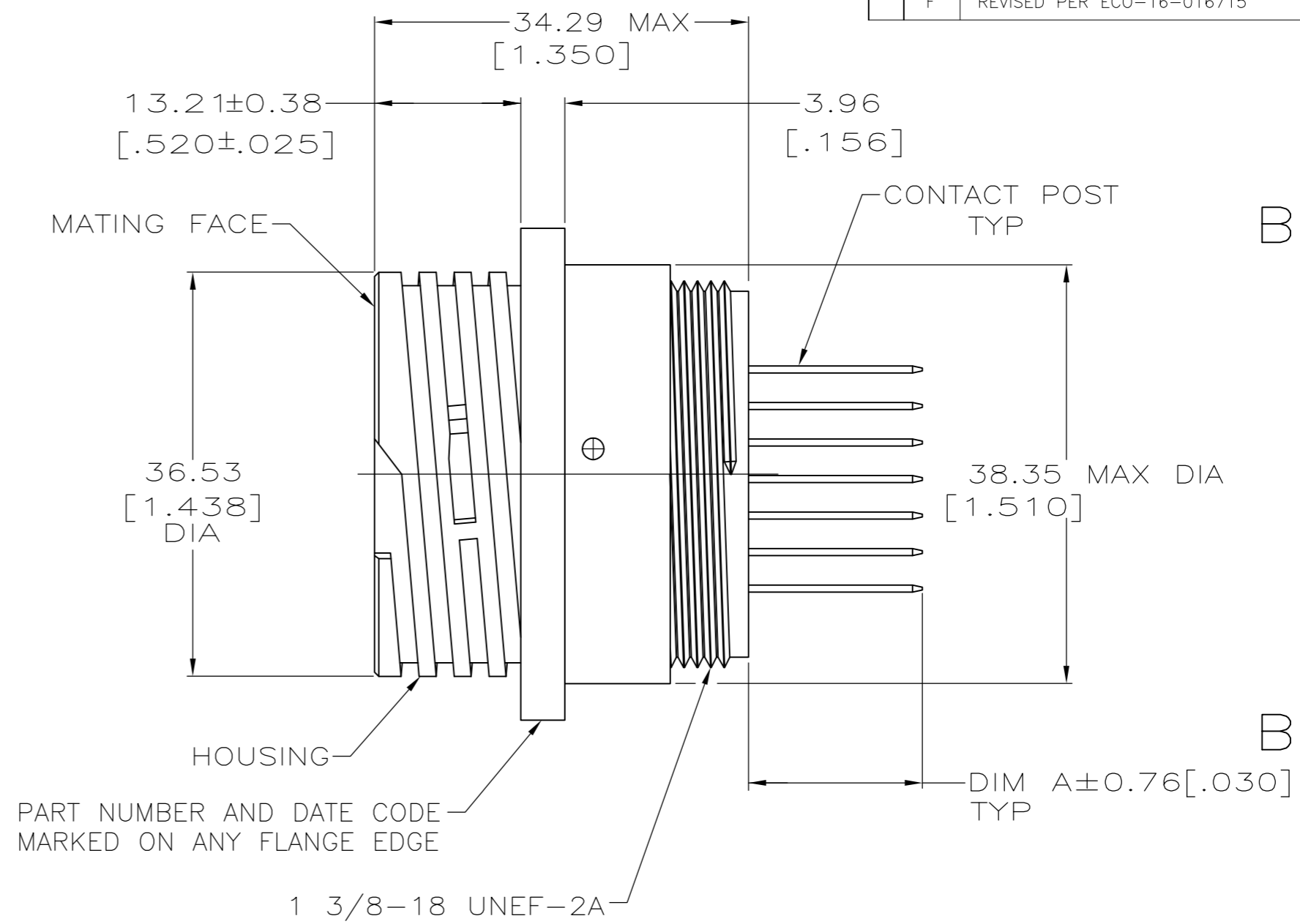
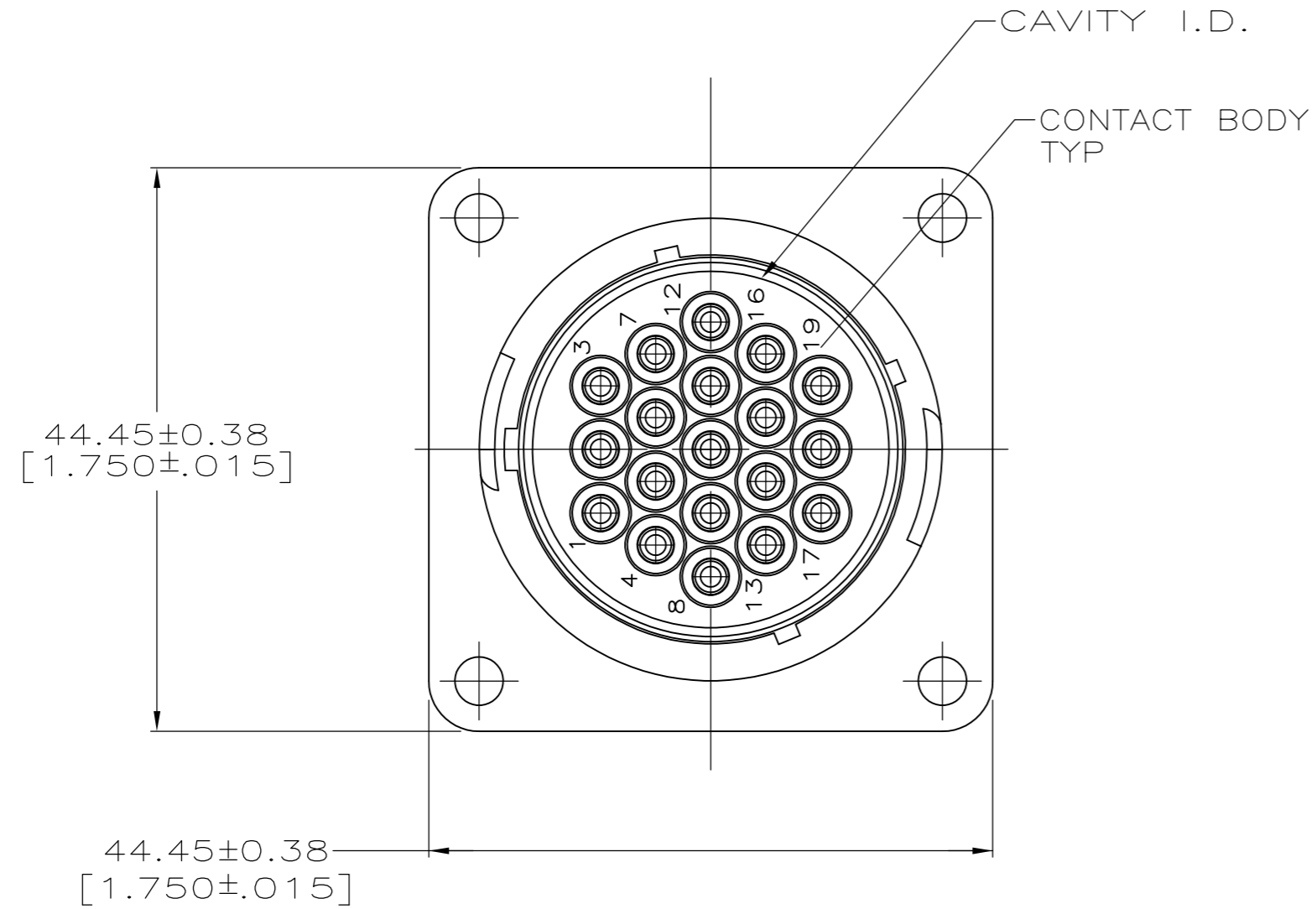


THIS DRAWING IS UNPUBLISHED. RELEASED FOR PUBLICATION
 © COPYRIGHT - By - ALL RIGHTS RESERVED.

| REVISIONS | | | | |
|-----------|-----|---------------------------|-----------|-------|
| P | LTR | DESCRIPTION | DATE | APVD |
| F | | REVISED PER ECO-16-016715 | 23NOV2016 | RS MZ |



VIEW B-B

| | | | |
|----------|--------------|----------------|-------------|
| OBSOLETE | 6.10 [.240] | 6 | -213859-4 |
| | 6.20 [.244] | 4 | 213859-3 |
| | 15.70 [.618] | 6 | 213859-2 |
| OBSOLETE | 15.70 [.618] | 4 | -213859-1 |
| | DIM A | CONTACT FINISH | PART NUMBER |

| | | | | |
|--|--|------------------------------|-----------------|------------|
| THIS DRAWING IS A CONTROLLED DOCUMENT. | | DWN D.HARDY 01-06-95 | TE Connectivity | |
| DIMENSIONS: mm [INCHES] | | CHK R.STONE 01-09-95 | | |
| TOLERANCES UNLESS OTHERWISE SPECIFIED: | | APVD - | NAME | |
| 0 PLC ± - | | PRODUCT SPEC | 108-10024 | |
| 1 PLC ± - | | APPLICATION SPEC | 114-10038 | |
| 2 PLC ± 0.25 [.010] | | SIZE | CAGE CODE | DRAWING NO |
| 3 PLC ± 0.127 [.0050] | | A2 | 00779 | C=213859 |
| 4 PLC ± - | | WEIGHT | - | |
| ANGLES ± - | | CUSTOMER DRAWING | | |
| FINISH | | SCALE 2:1 SHEET 1 of 2 REV F | | |
| CONTACT: SEE TABLE | | | | |

