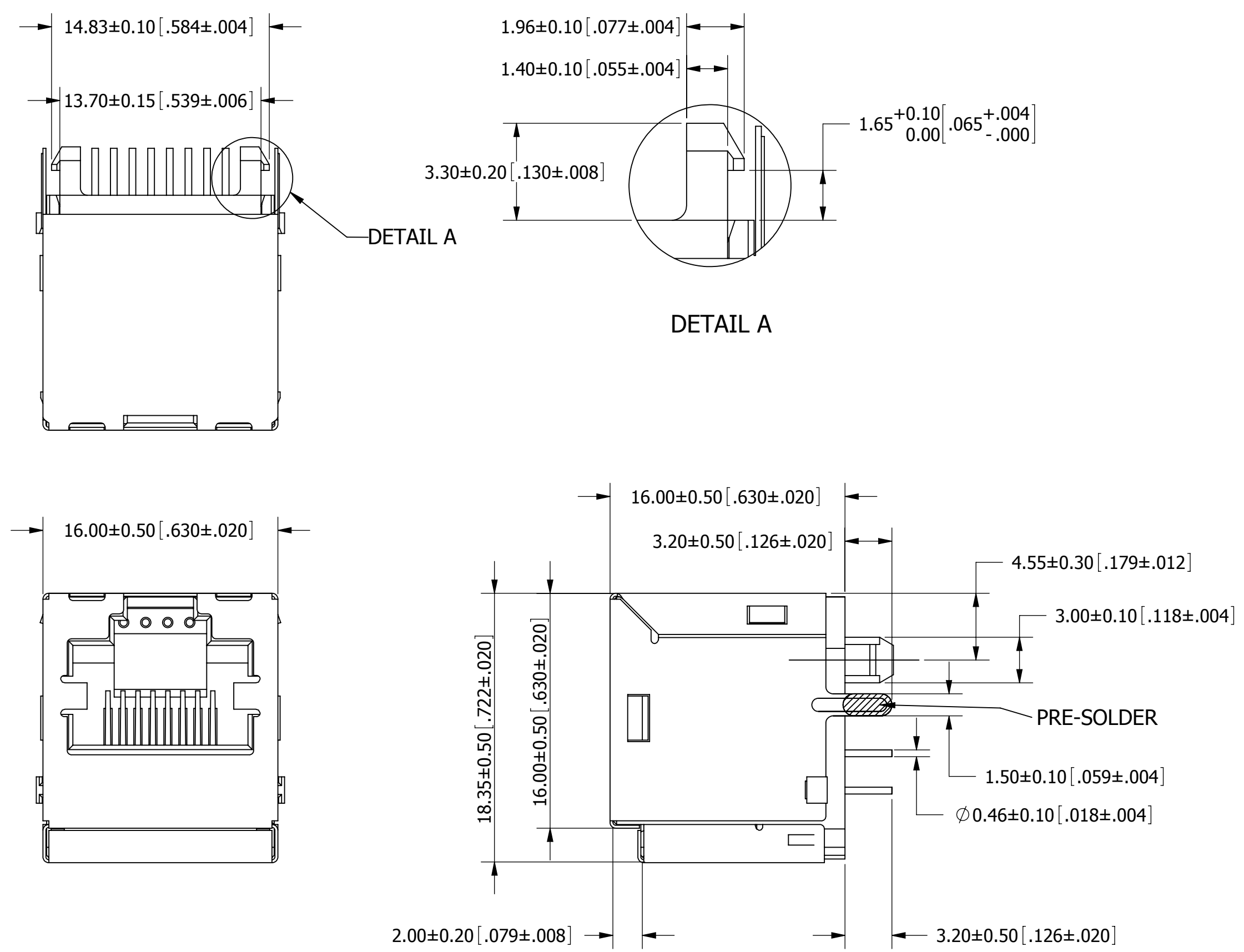


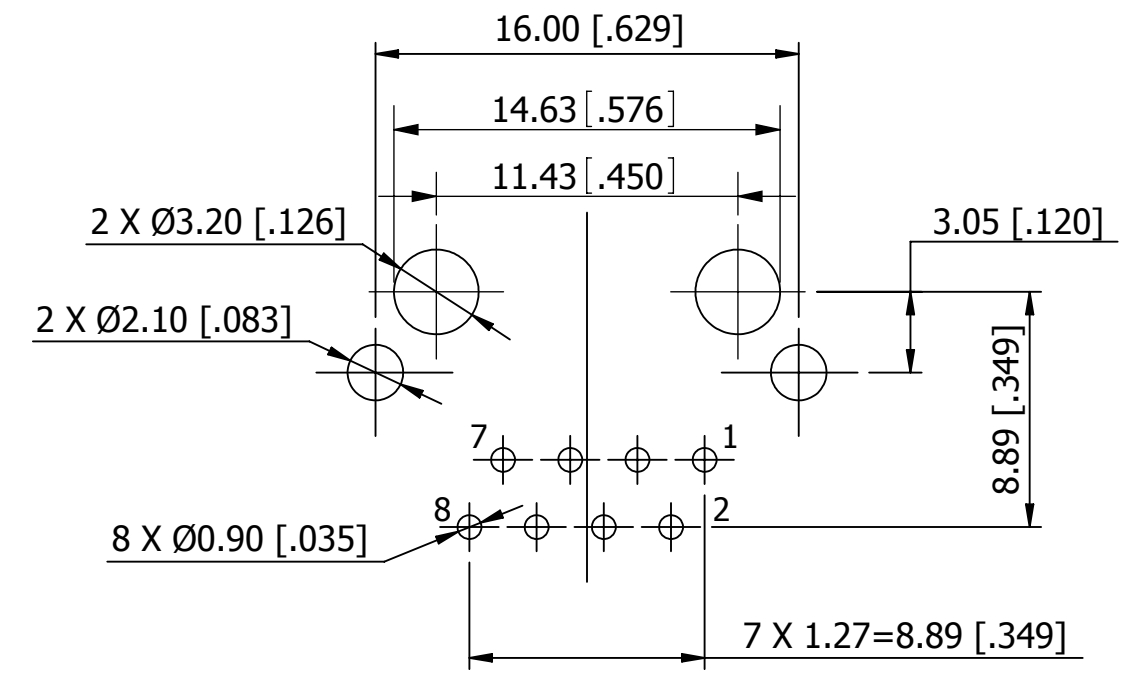
REVISIONS				
REV.	ECO. NO	DESCRIPTION	DATE	BY
A	2406	INITIAL RELEASE	08/01/2011	GC
B	2477	UPDATE 3 VIEWS, TOLERANCES TABLE AND SCHEMATIC TD- 2 (WAS RD- 2)	12/08/2011	LH
C	2604	UPDATE NOTE 1 SHELL MATERIAL BRASS C2680H (WAS STAINLESS STEEL)	05/31/2012	LH



- NOTES:
- MATERIAL:**
 Plastic Housing:
 RJ Housing: PBT, UL94V-0, Black
 Transformer Housing: Phenolic, UL94V-0, Black
 Terminals:
 RJ Contacts: 0.25mm Thickness, Phosphor Bronze C5191H
 Shields:
 Shell: 0.2mm Thickness, Brass C2680H
 PCB: FR-4 Two layer PCB
 - PLATING:**
 RJ Contact: .000050" min. Nickel Underplate,
 .000006" Selective Gold.
 Shield Grounding Legs: Pre-soldering
 - RoHS Compliance per EU Directive 2002/95/EC**
 - Transmitter & Receiver Filter:**

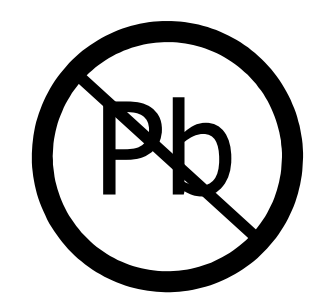
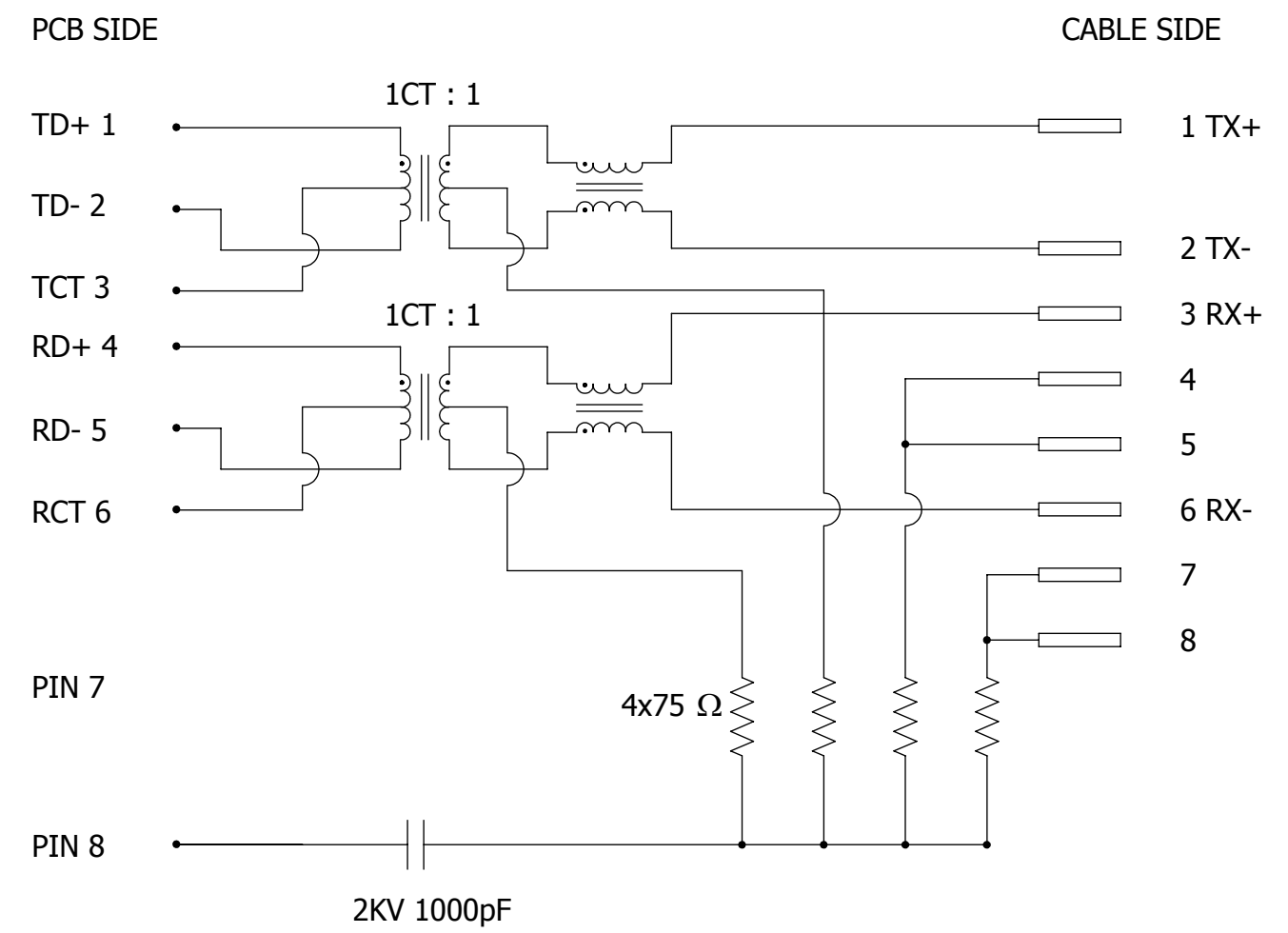
Insertion Loss (dB Max)	Return Loss at 100Ω (dB Max)		
	1~30MHz	30~60MHz	60~80MHz
1~100MHz	-18	-16	-12
-1.0			

- Common Mode Rejection @ 1~100 MHz: -30dB MIN
- Cross Talk @ 1~100 MHz: -35dB MIN
- Inductance @ 100KHz/ 0.1V,8mA DC BIAS: 350mH MIN
- HiPot Test: 1500Vrms, 60sec
- Operating Temperature Range: 0°C TO +70°C



RECOMMENDED P.C.B LAYOUT
TOLERANCE: ±0.05 [.002]

SCHMATIC:



RoHS COMPLIANT

UNLESS OTHERWISE SPECIFIED: DIMENSIONS ARE IN MM[INCHES]	DRAWN	DATE	NAME	
		08/01/2011	GC	
TOLERANCES: ANGULAR: DECIMALS: X=± .4 [.016] .XX=± .25 [.010] .XXX=± .130 [.0051]	THE INFORMATION HEREIN CONTAINS PROPRIETARY INFORMATION OF SULLINS ELECTRONICS AND IS NOT TO BE REPRODUCED, USED OR DISCLOSED TO OTHERS FOR ANY PURPOSE EXCEPT AS SPECIFICALLY AUTHORIZED IN WRITING BY AN OFFICER OF SULLINS ELECTRONICS.			TITLE
				VERTICAL RJ45 10/100 BASE-T
PART NUMBER				SMJ100-T88I-DS-11
SIZE	CAGE CODE	DWG. NO.	REV	
C	54453	11819	C	
SCALE: 2:1			SHEET 1 OF 1	