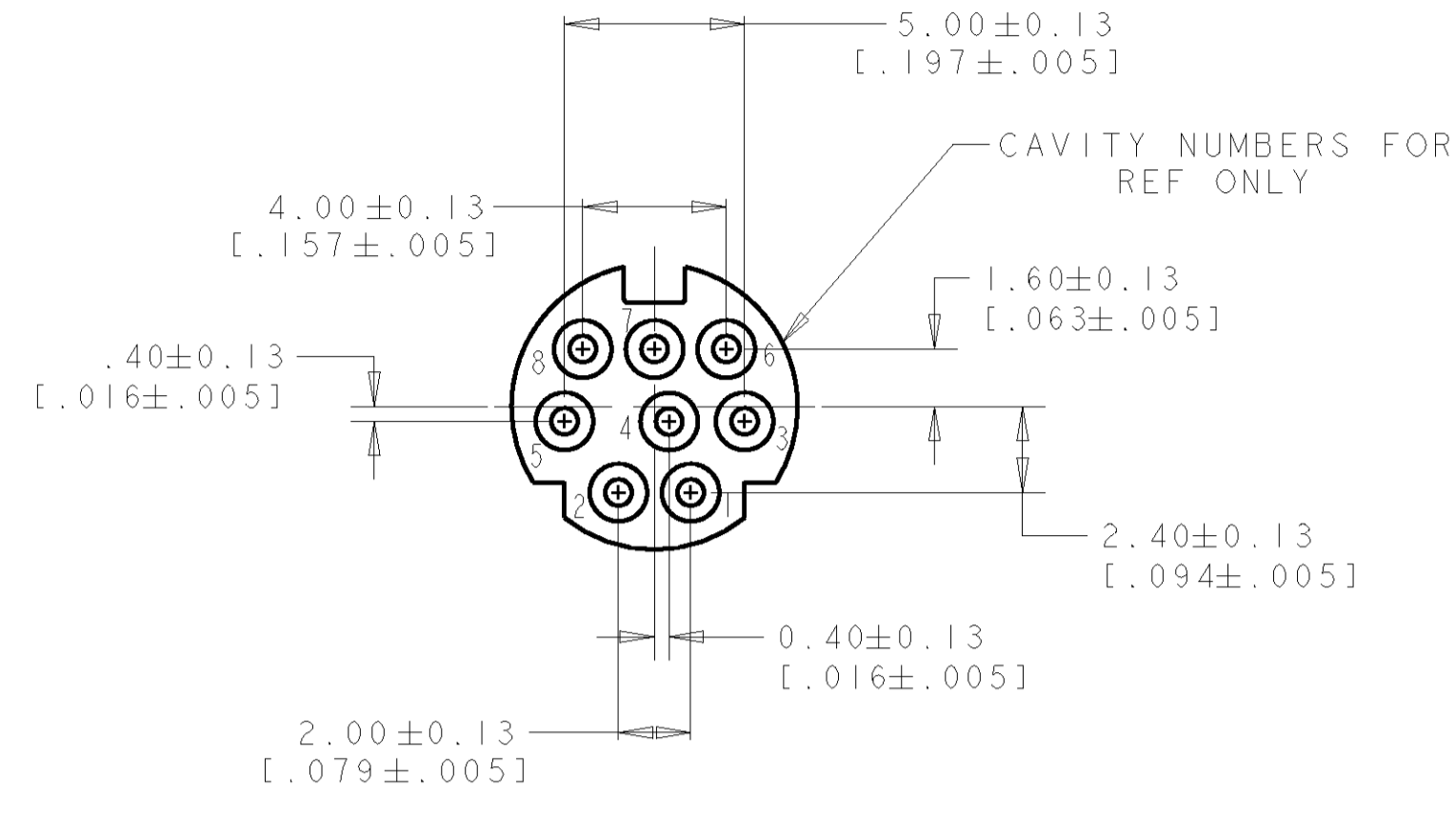
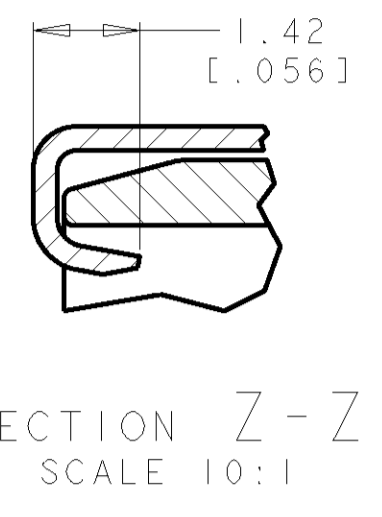
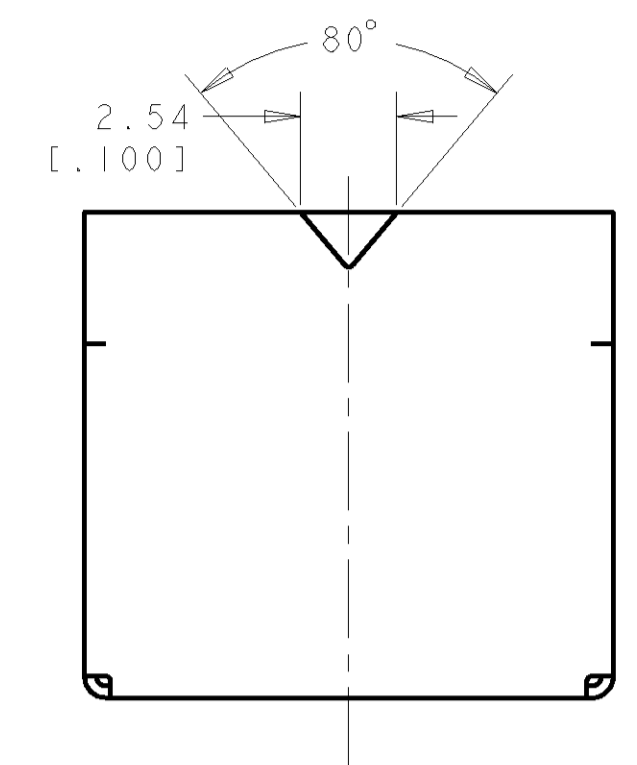
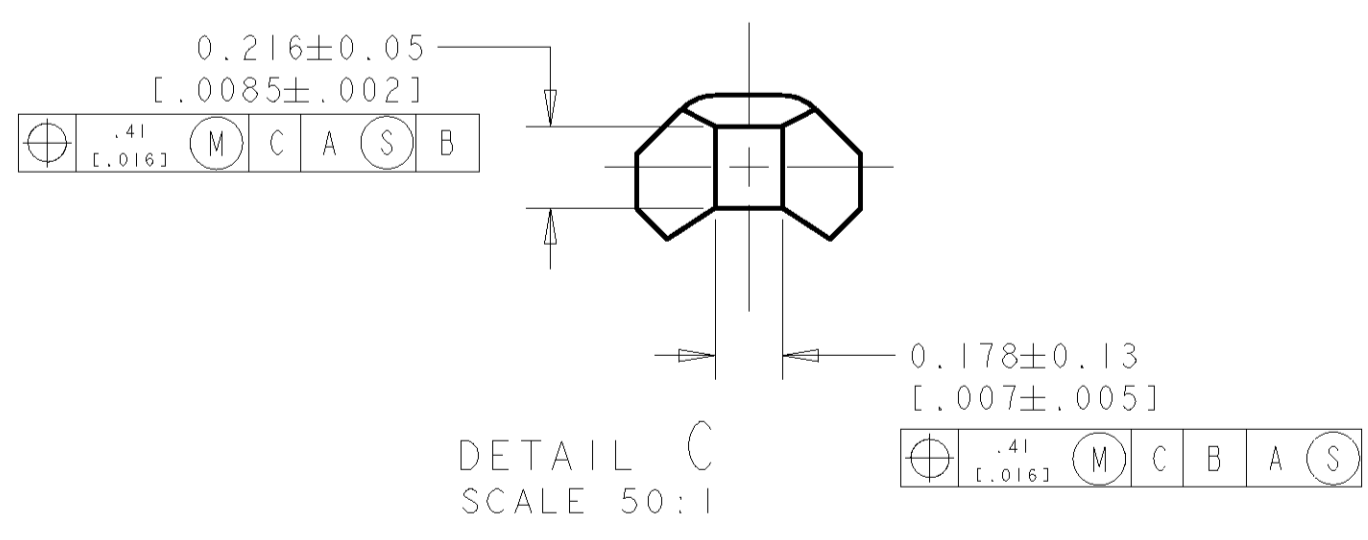
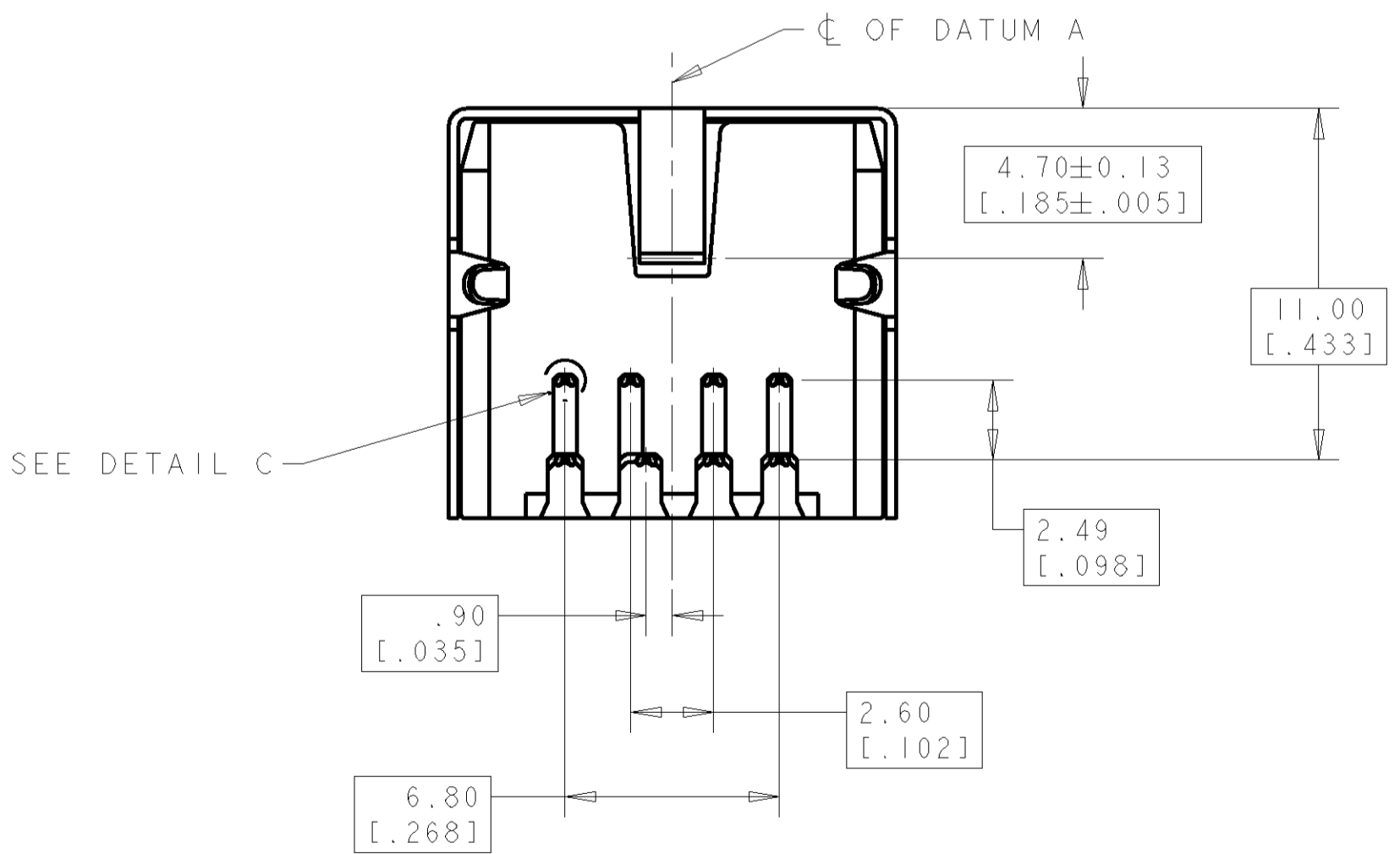
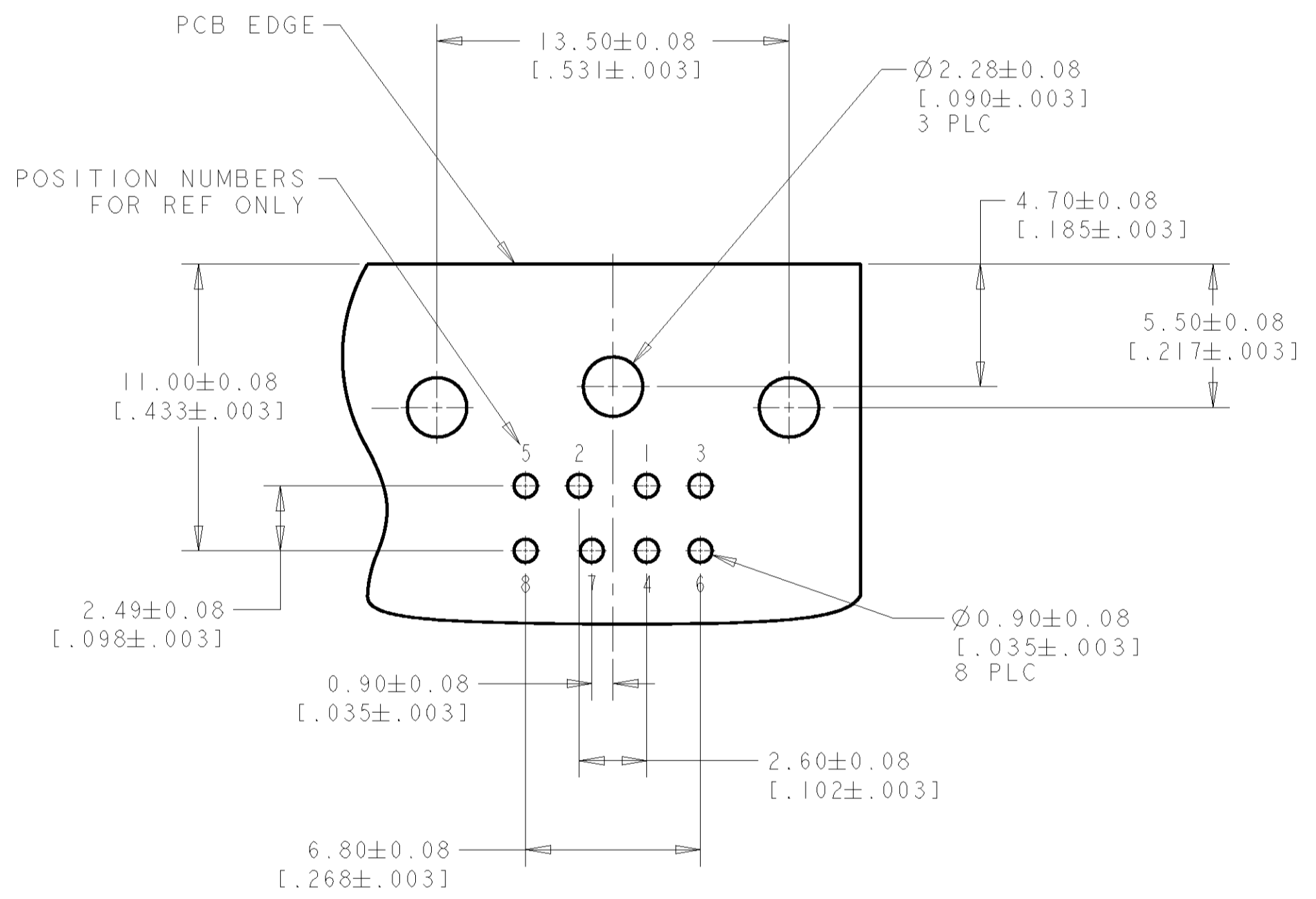
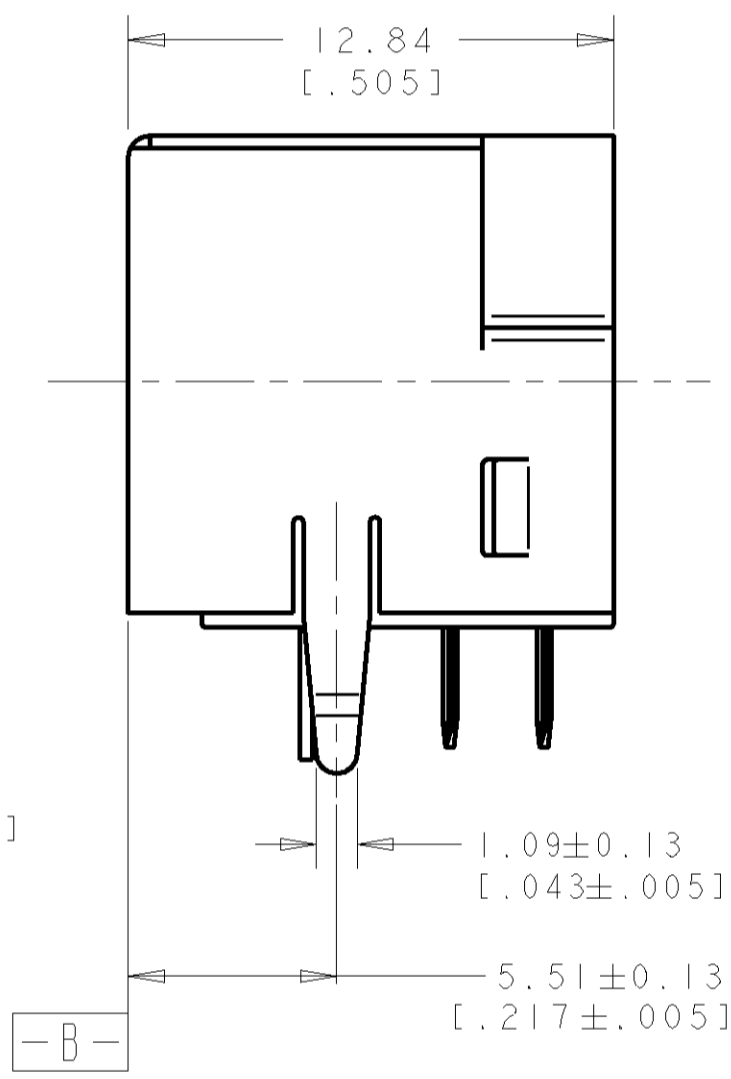
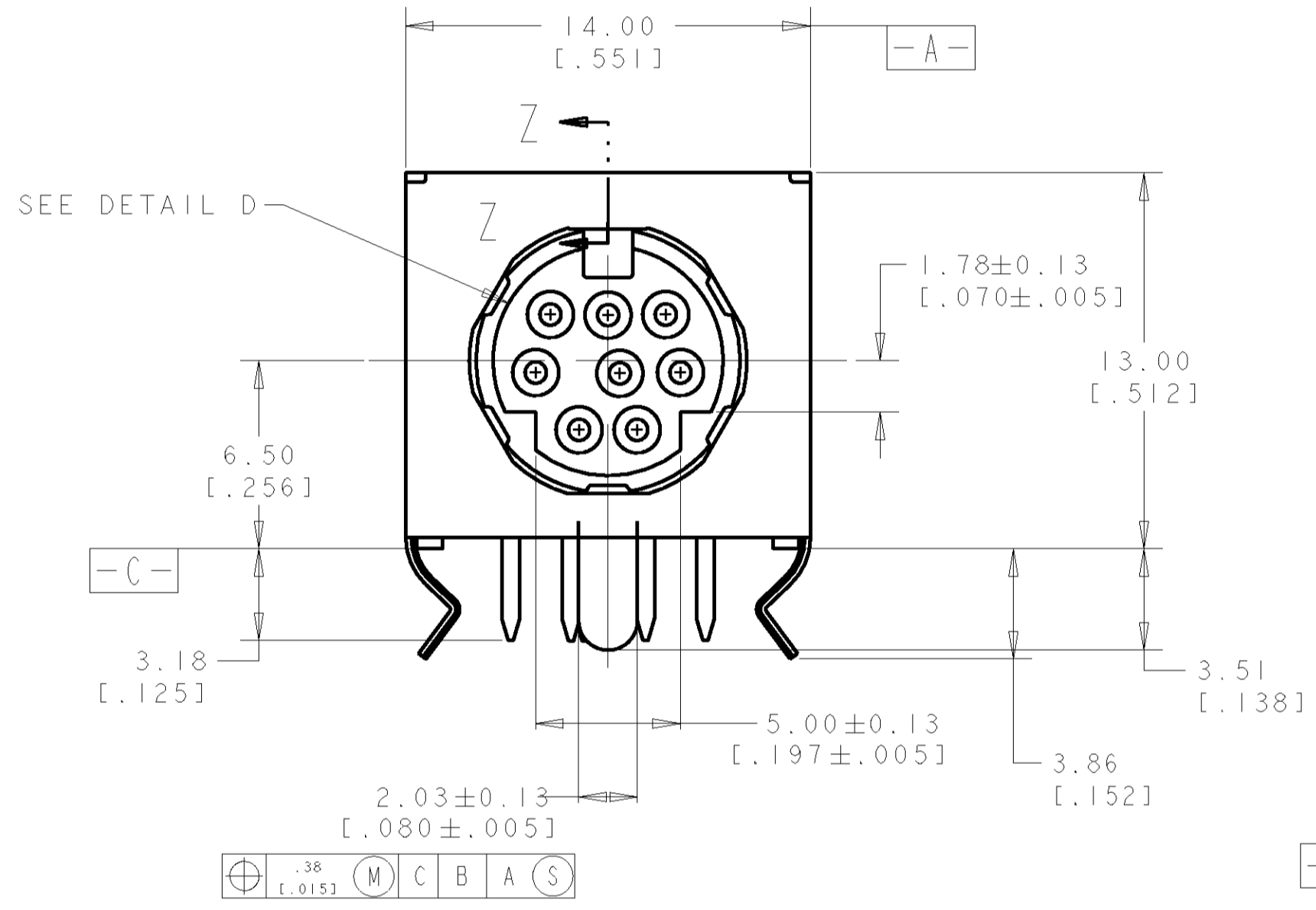


REVISONS		DATE	DNM	APRD
LOC	DIST			
0	NPR FPD0-0340-04	4JAN05	LWY	LSF



- △ MATERIAL:  
RECEPTACLE CONTACTS: PHOSPHOR BRONZE  
RECEPTACLE SHIELD: COPPER ALLOY.  
HOUSING: UL RECOGNIZED 94V-0 RATED THERMOPLASTIC, COLOR, BLACK
- △ PLATING:  
RECEPTACLE CONTACTS - GOLD FLASH PLATED ON MATING END, MATTE-TIN PLATED .0030 MIN [0.000120 MIN] THICK ON SOLDER TAIL ALL OVER .0013 MIN [0.000050 MIN] THICK NICKEL.
- △ PLATING:  
RECEPTACLE SHIELD: PRE-TIN PLATED
- 4. RECEPTACLE ASSEMBLY MATES WITH 8 PIN 9.00±.10 [0.354±.004]



P/N: 5749232-1 AS SHOWN

<small>THIS DRAWING IS A CONTROLLED DOCUMENT FOR AMP INCORPORATED. ALL DIMENSIONS ARE IN MILLIMETERS UNLESS OTHERWISE SPECIFIED. ANY CHANGES TO THIS DRAWING MUST BE APPROVED BY THE ORIGINAL DESIGNING ORGANIZATION. SHOULD BE CONTACTED FOR THE LATEST REVISION.</small>		DWN: WYLEE CBY: SF LEONG APD: SF LEONG	04JAN2005 NAME: RECEPTACLE ASSY W/ HOLD DOWN, 8 POS., RIGHT ANGLE, MINIATURE CIRCULAR DIN PRODUCT SPEC: 108-1225 APPLICATION SPEC: - WEIGHT: - CUSTOMER DRAWING	Tyco Electronics Singapore Pte. Ltd.
DIMENSIONS: mm [INCHES]	TOLERANCES UNLESS OTHERWISE SPECIFIED: 0 PLC ± 1 PLC ± 2 PLC ± 3 PLC ±0.38 [0.015] 4 PLC ± 5 PLC ± ANGLE: ±0°30'	SIZE: A1 CAGE CODE: 00779 DRAWING NO: 5749232	SCALE: 5:1 SHEET: 1 OF 1 REV: 0	