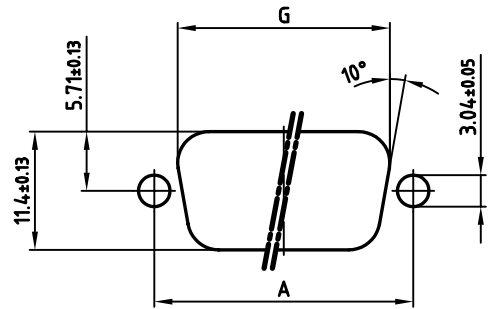
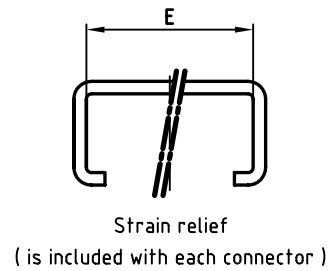
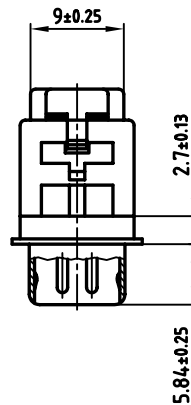
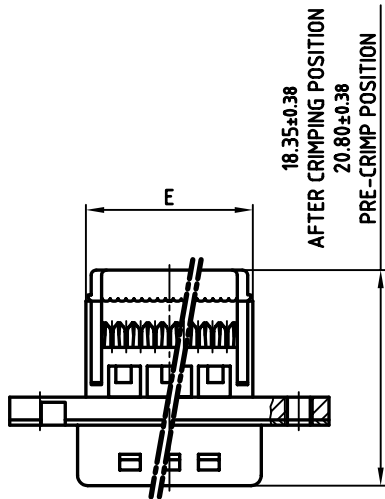
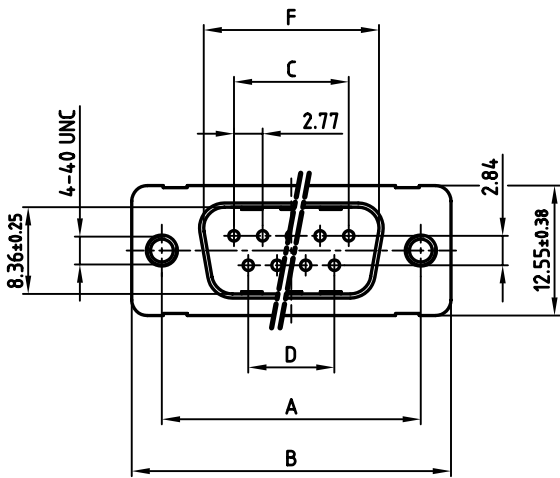
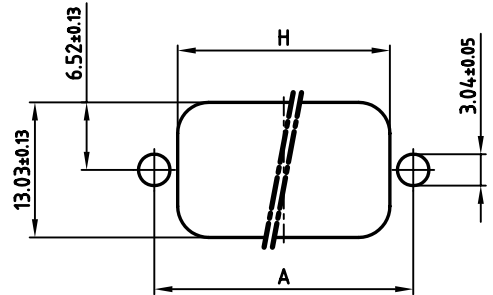


used for: D-SUB IDC CONNECTOR

**RECOMMENDED PANEL CUTOUT DIMENSIONS
REAR MOUNT**



**RECOMMENDED PANEL CUTOUT DIMENSIONS
FRONT MOUNT**



| POS. | A ±0.13 | B ±0.25 | C ±0.13 | D ±0.13 | E ±0.25 | F ±0.25 | G ±0.13 | H ±0.13 | Part NO. |
|------|---------|---------|---------|---------|---------|---------|---------|---------|---------------------|
| 9 | 24.99 | 30.80 | 11.08 | 8.31 | 16.10 | 16.92 | 20.47 | 22.20 | DLS1XPSAG04X |
| 15 | 33.32 | 39.10 | 19.39 | 16.62 | 24.00 | 25.25 | 28.80 | 30.53 | DLS2XPSAG04X |
| 25 | 47.04 | 53.09 | 33.24 | 30.47 | 38.14 | 38.96 | 42.52 | 44.27 | DLS3XPSAG04X |
| 37 | 63.50 | 69.40 | 49.86 | 47.09 | 54.60 | 55.45 | 59.08 | 60.73 | DLS4XPSAG04X |

Directive 2002/95 EC
RoHS
Compliant

SPECIFICATION:

Current rating: 1 Amp
 Insulator resistance: 1000M Ohm min. (at 500 V DC)
 Dielectric withstanding voltage: AC 500 V min. (for 1 minute)
 Operating temperature: -55°C to + 105°C
 Contact resistance: 15m Ohm max.
 Insulator material: PBT with glass-fiber reinforced UL 94 V-0
 Contact material: Brass
 Contact plating: Gold over Nickel
 Wire size: AWG 26 + 28 stranded, 1.27mm conductor centre flat cable

APPROVAL # FREIGABE # DEBLOCAGE # AUTORIZACION # APPROVAL

CUSTOMER APPROVAL DATE:

NAME: TITLE:

COMPANY NAME:

APPROVAL # FREIGABE # DEBLOCAGE # AUTORIZACION # APPROVAL

THIS DRAWING MAY NOT BE COPIED OR REPRODUCED IN ANY WAY, AND MAY NOT BE PASSED ON TO A THIRD PARTY, WITHOUT WRITTEN PERMISSION. OWNERSHIP AND COPYRIGHT OF CONEC Gmbh DO NOT ALTER CAD DRAWING BY HAND

| rev. | description | date | name |
|------|-------------|------|------|
| a | Origin | | |

| tolerance | | dim. in mm | |
|-----------|--------|--------------|--|
| .00 | ±0.25 | | |
| 2008 | date | name | |
| drawn | 16.01. | Lehmenkühler | |
| appd. | 16.01. | Mickenbecker | |
| norm | | | |
| d-old | | | |

scale: 2:1
 material: SEE SPECIFICATION
 title: **D-SUB IDC MALE CONNECTOR**
 9-37pos.
 4-40 UNC threaded insert, incl. strain relief
 dwg no: AutoCAD 2006 DIN-A
 16K1A2225 3
 sh: 1/1
 part no: SEE TABLE