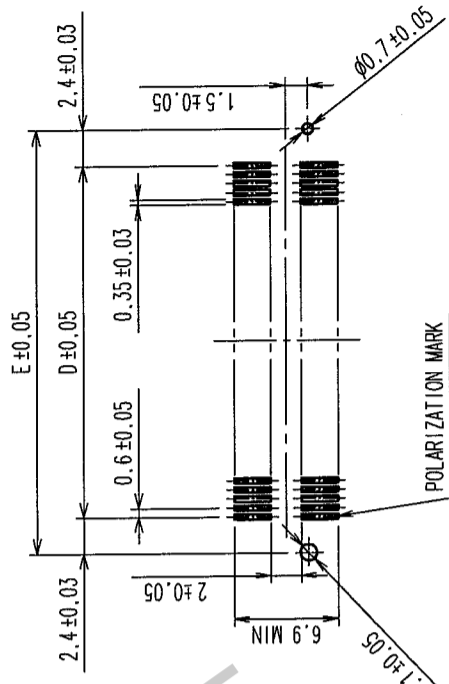


COUNT	DESCRIPTION OF REVISIONS	BY	CHKD	DATE	COUNT	DESCRIPTION OF REVISIONS	BY	CHKD	DATE
3	RE-F-09671	K.N	H.Y	04.04.08					

RECOMMENDED LAND PATTERN DIMENSION OF P.C.B. (MOUNTING SIDE)



DIMENSION TABLE OF CONNECTOR AND P.C.B. LAND PATTERN.

PART No.	CODE No.	A	B	C	D	E
FX8C-60P-SV1(92)	CL578-0521-6-92	60	24.60	23.00	20.70	17.40
FX8C-80P-SV1(92)	CL578-0523-1-92	80	30.60	29.00	26.70	23.40
FX8C-100P-SV1(92)	CL578-0525-7-92	100	36.60	35.00	32.70	29.40
FX8C-120P-SV1(92)	CL578-0526-0-92	120	42.60	41.00	38.70	35.40
FX8C-140P-SV1(92)	CL578-0527-2-92	140	48.60	47.00	44.70	41.40

- NOTE 1. LEAD CO-PLANARITY SHALL BE 0.1mm MAX.  
 2. EMBOSSED CARRIER TAPE PACKAGING SHALL BE APPLIED FOR THIS PRODUCT.  
 SEE NEXT PAGE FOR DETAILS.  
 3. FOR MODIFICATION, ETC., PREVENTIVE HOLE FOR SINK MARK MAY BE ADDED ACCORDING TO CIRCUMSTANCES.  
 4. THE DIMENSIONS IN PARENTHESES ARE FOR REFERENCE.  
 ⑤ NUMBER OF CONTACTS.

NO.	MATERIAL	FINISH, REMARKS	NO.	MATERIAL	FINISH, REMARKS
1	PPS	LIGHT BROWN (UL94V-0)	2	PHOSPHOR BRONZE	
CONTACT AREA: GOLD 0.1μm min		LEAD AREA: TIN-PLATING 1μm min		UNDER PLATING: NICKEL 1μm min	

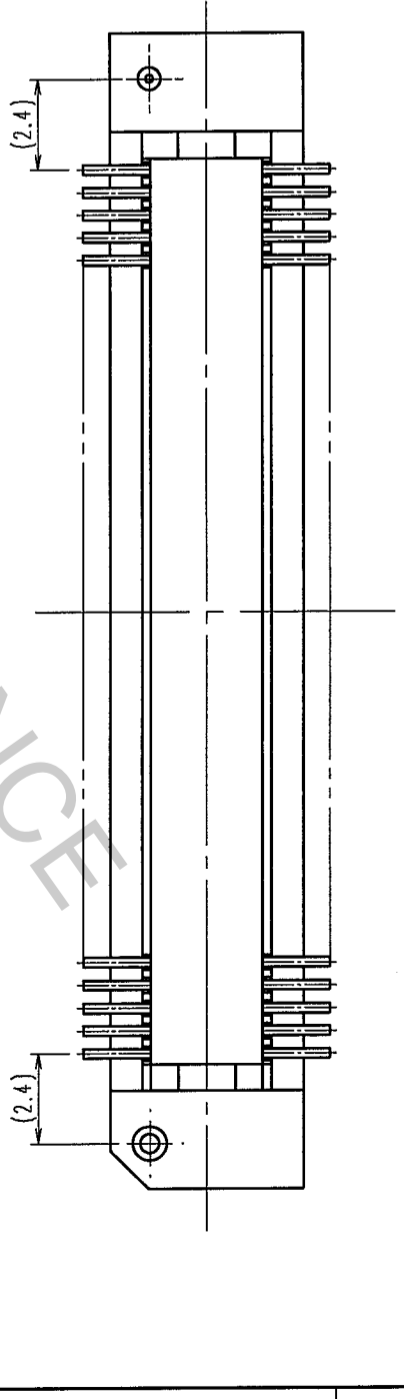
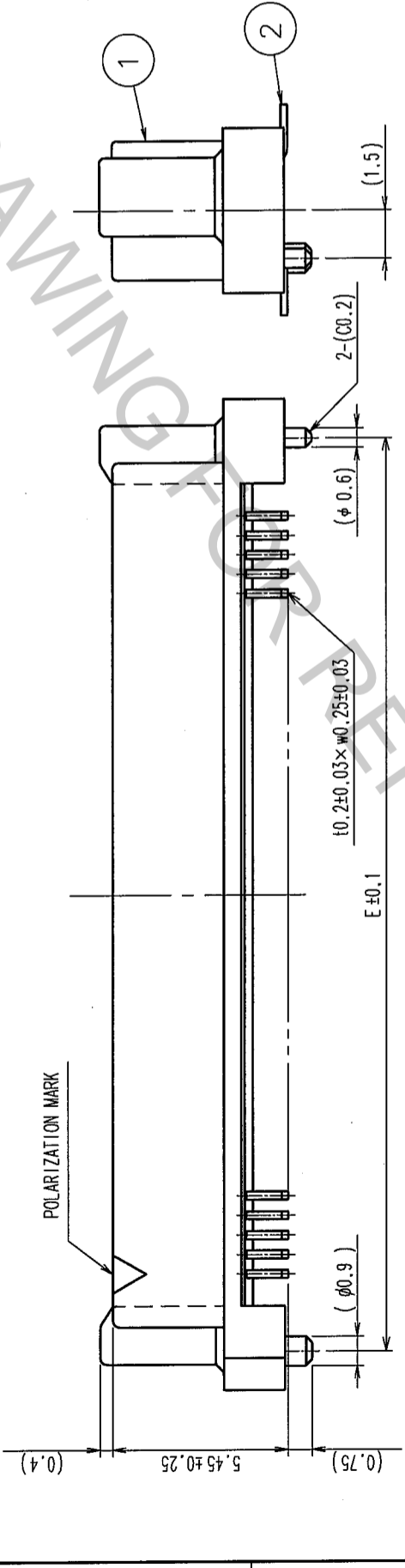
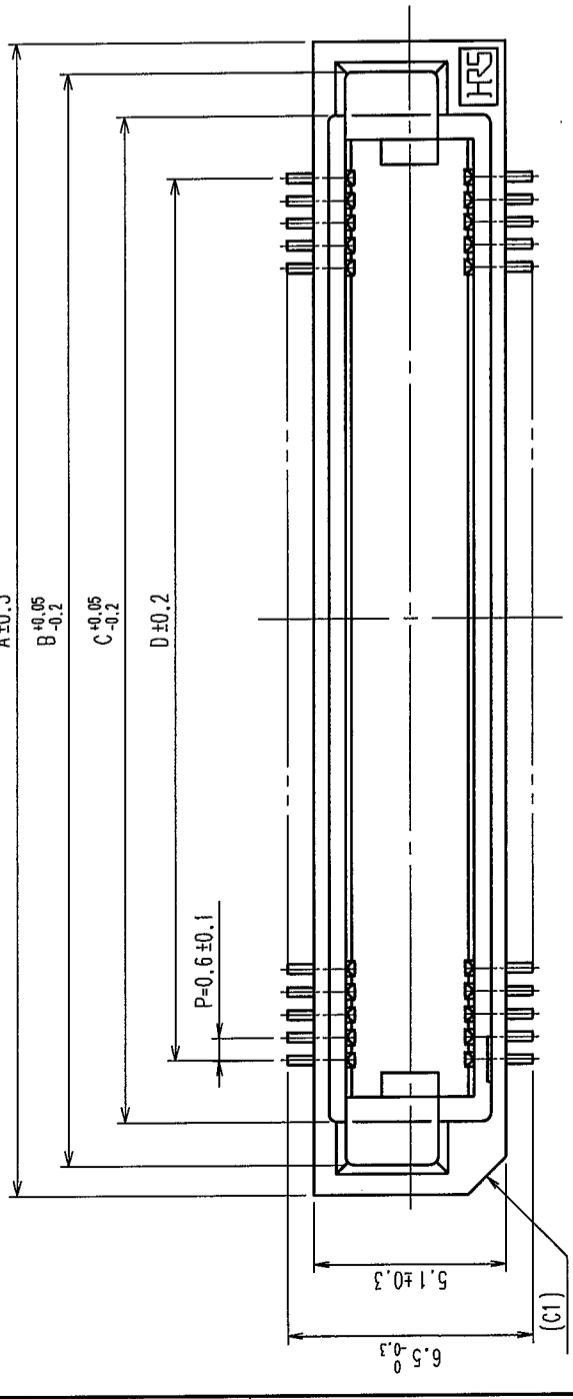
NO.	MATERIAL	FINISH, REMARKS	NO.	MATERIAL	FINISH, REMARKS
CL	CL				

SCALE	DRAWING NO.	PART NO.	DESIGNED	CHECKED	APPROVED	RELEASED
FREE	EDC3-151087-22	FX8C-**P-SV1(92)	K.NAKAMURA	H.OKAWA	Y.YOSHIMURA	
UNITS			03.02.03	03.02.12	03.02.14	03.02.15

TO	PCK	DATE



CL578

CODE NO.

HIROSE ELECTRIC CO., LTD

mm

UNITS

SCALE

FREE

DRAWING NO.

EDC3-151087-22

PART NO.

FX8C-\*\*P-SV1(92)

DESIGNED

K.NAKAMURA

CHECKED

H.OKAWA

APPROVED

Y.YOSHIMURA

RELEASED

03.02.15

03.02.14

03.02.12

03.02.03

S.SUZUKI

DRAWN

NO.

FINISH, REMARKS

MATERIAL

PHOSPHOR BRONZE

LIGHT BROWN (UL94V-0)

MATERIAL

PPS

NO.

FINISH, REMARKS

LIGHT BROWN (UL94V-0)

MATERIAL

PPS

NO.

FINISH, REMARKS

LIGHT BROWN (UL94V-0)

MATERIAL

PPS

NO.

FINISH, REMARKS

LIGHT BROWN (UL94V-0)

MATERIAL

PPS

NO.

FINISH, REMARKS

LIGHT BROWN (UL94V-0)

MATERIAL

PPS

NO.

FINISH, REMARKS

LIGHT BROWN (UL94V-0)

MATERIAL

PPS

NO.

FINISH, REMARKS

LIGHT BROWN (UL94V-0)

MATERIAL

PPS

NO.

FINISH, REMARKS

LIGHT BROWN (UL94V-0)

MATERIAL

PPS

NO.

FINISH, REMARKS

LIGHT BROWN (UL94V-0)

MATERIAL

PPS

NO.

FINISH, REMARKS

LIGHT BROWN (UL94V-0)

MATERIAL

PPS

NO.

FINISH, REMARKS

LIGHT BROWN (UL94V-0)

MATERIAL

PPS

NO.

FINISH, REMARKS

LIGHT BROWN (UL94V-0)

MATERIAL

PPS

NO.

FINISH, REMARKS

LIGHT BROWN (UL94V-0)

MATERIAL

PPS

NO.

FINISH, REMARKS

LIGHT BROWN (UL94V-0)

MATERIAL

PPS

NO.

FINISH, REMARKS

LIGHT BROWN (UL94V-0)

MATERIAL

PPS

NO.

FINISH, REMARKS

LIGHT BROWN (UL94V-0)

MATERIAL

PPS

NO.

FINISH, REMARKS

LIGHT BROWN (UL94V-0)

MATERIAL

PPS

NO.

FINISH, REMARKS

LIGHT BROWN (UL94V-0)

MATERIAL

PPS

NO.

FINISH, REMARKS

LIGHT BROWN (UL94V-0)

MATERIAL

PPS

NO.

FINISH, REMARKS

LIGHT BROWN (UL94V-0)

MATERIAL

PPS

NO.

FINISH, REMARKS

LIGHT BROWN (UL94V-0)

MATERIAL

PPS

NO.

FINISH, REMARKS

LIGHT BROWN (UL94V-0)

MATERIAL

PPS

NO.

FINISH, REMARKS

LIGHT BROWN (UL94V-0)

MATERIAL

PPS

NO.

FINISH, REMARKS

LIGHT BROWN (UL94V-0)

MATERIAL

PPS

NO.

FINISH, REMARKS

LIGHT BROWN (UL94V-0)

MATERIAL

PPS

NO.

FINISH, REMARKS

LIGHT BROWN (UL94V-0)

MATERIAL

PPS

NO.

FINISH, REMARKS

LIGHT BROWN (UL94V-0)

MATERIAL

PPS

NO.

FINISH, REMARKS

LIGHT BROWN (UL94V-0)

MATERIAL

PPS

NO.

FINISH, REMARKS

LIGHT BROWN (UL94V-0)

MATERIAL

PPS

NO.

FINISH, REMARKS

LIGHT BROWN (UL94V-0)

MATERIAL

PPS

NO.

FINISH, REMARKS

LIGHT BROWN (UL94V-0)

MATERIAL

PPS

NO.

FINISH, REMARKS

LIGHT BROWN (UL94V-0)

MATERIAL

PPS

NO.

FINISH, REMARKS

LIGHT BROWN (UL94V-0)

MATERIAL

PPS

NO.

FINISH, REMARKS

LIGHT BROWN (UL94V-0)

MATERIAL

PPS

NO.

FINISH, REMARKS

LIGHT BROWN (UL94V-0)

MATERIAL

PPS

NO.

FINISH, REMARKS

LIGHT BROWN (UL94V-0)

MATERIAL

PPS

NO.

FINISH, REMARKS

LIGHT BROWN (UL94V-0)

MATERIAL

PPS

NO.

FINISH, REMARKS

LIGHT BROWN (UL94V-0)

MATERIAL

PPS

NO.

FINISH, REMARKS

LIGHT BROWN (UL94V-0)

MATERIAL

PPS

NO.

FINISH, REMARKS

LIGHT BROWN (UL94V-0)

MATERIAL

PPS

NO.

FINISH, REMARKS

LIGHT BROWN (UL94V-0)

MATERIAL

PPS

