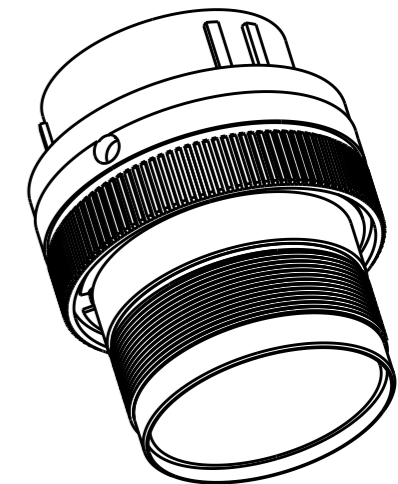
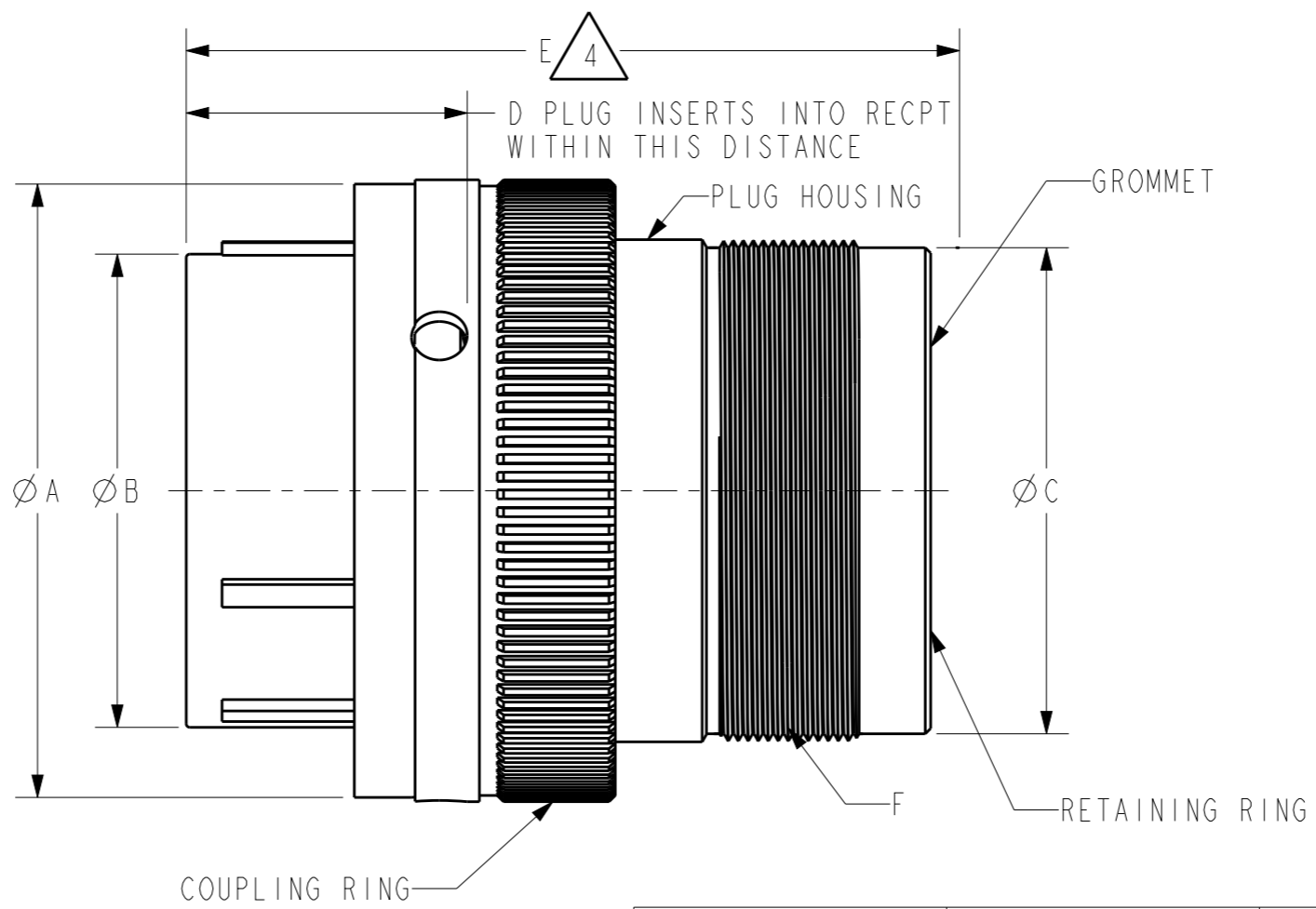
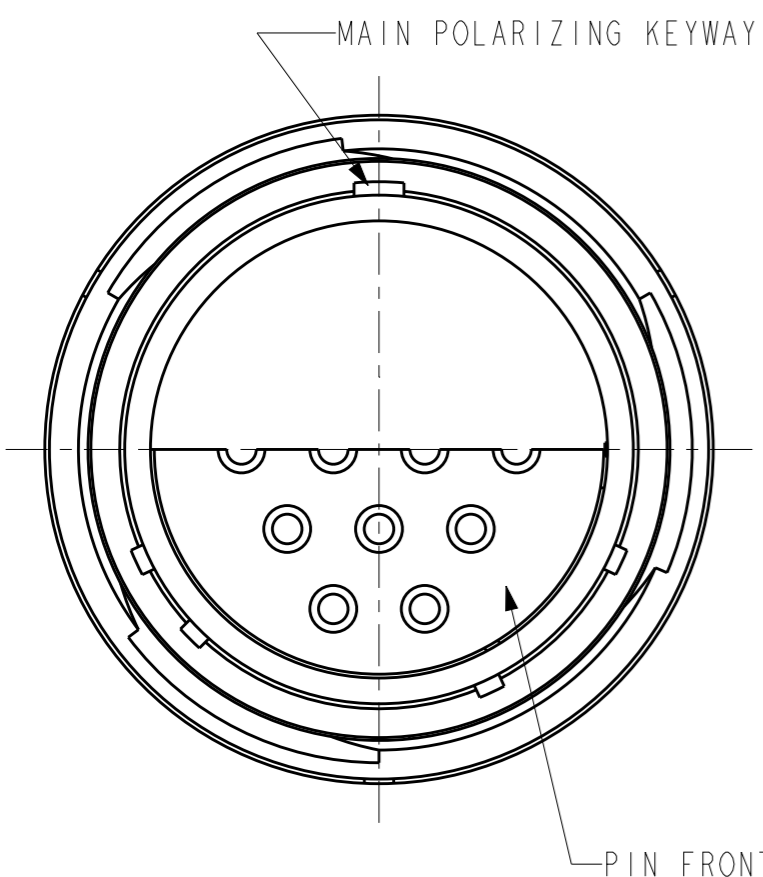


THIS DRAWING IS UNPUBLISHED
 RELEASED FOR PUBLICATION 2017
 © COPYRIGHT 2017 BY - TE CONNECTIVITY ALL RIGHTS RESERVED.

REVISIONS					
P	LTR	DESCRIPTION	DATE	DWN	APVD
	B1	REVISED PER PCN E-17-018475	08DEC2017	CM	DM

CONTACT SIZE	MIN. INSUL O.D.	MAX. INSUL O.D.	WIRE RANGE AWG [mm ²]
16	.100 [2.54]	.134 [3.40]	16-18 [1.0-0.75]



TE INTERNAL PN	DEUTSCH PN	ARRANGEMENT	CONTACT SIZE	CONTACT TYPE
3T0203-24-20P	3T0203-24-20P	24-20	20 SIZE 16	PIN

6. PART NUMBER INFO: XXXX = SEE TABLE
 24/32 = PLUG SHELL SIZE; XX = ARRANGEMENT NO.

5. MATERIAL:
 PLUG HOUSING: ALUMINUM (GOLD CHROMATE)
 RETAINING RING: PA66 GF10 (GREEN)
 PIN FRONT: PA66 GF10 (BLACK)
 GROMMET: VMO (RED-ORANGE)

4. TOTAL DIMENSION WITH WIRE SEAL.

3. FOR CONTACTS AND WIRES PERFORMANCE AND APPLICATION CHARACTERISTICS SEE ENVELOPE DRAWING 4025-001-0000.

2. FOR ARRANGEMENT OF CONTACT LOCATION SEE ENVELOPE DRAWING 4025-006-0000.

1. PLUG IS SUPPLIED WITH DUST CAP PN 6VI824 (NOT SHOWN).

NOTES:

PART NUMBER	SIZE	ØA REF [mm]	ØB [mm]	ØC [mm]	D [mm]	E REF [mm]	F THREAD
3TXXXX-24-XXS/P	24	Ø1.716 [43.59]	Ø1.325 [33.66]	Ø1.368 [34.75]	.780 [19.81]	2.195 [55.75]	1.4375-18UNEF-2A MODIFIED
3TXXXX-32-XXS/P	32	Ø2.380 [60.45]	Ø1.915 [48.64]	Ø1.925 [48.90]	.780 [19.81]	2.195 [55.75]	2.000-18UNS-2A MODIFIED

THIS DRAWING IS A CONTROLLED DOCUMENT.		DWN 06JAN2010 A. MALAGON			
DIMENSIONS: INCHES [mm]		CHK 14JUL2010 R. MILLIGAN			
TOLERANCES UNLESS OTHERWISE SPECIFIED:		APVD 14JUL2010 S. BEARD		NAME PLUG CONNECTOR SHELL SIZE 24 AND 32 C.E. SERIES	
0 PLC ± 1 PLC ± 2 PLC ± 3 PLC ±.025 [.63] 4 PLC ± ANGLES ±0°30'0"		PRODUCT SPEC		SIZE A3	
MATERIAL 5		FINISH -		CAGE CODE 4AFU8	
		APPLICATION SPEC -		DRAWING NO 3TXXXX-24/32-XXS/P	
		WEIGHT -		RESTRICTED TO -	
		CUSTOMER DRAWING		SCALE 1:1	
				SHEET 1 OF 1	
				REV B1	