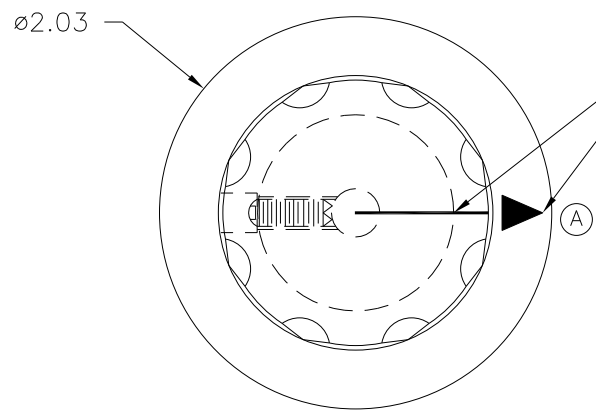


PART NAME: KNOB SCALE: 1:1 DATE: 3/28/07 DR. BY JAM

DAVIES MOLDING COMPANY
CAROL STREAM, ILLINOIS 60188

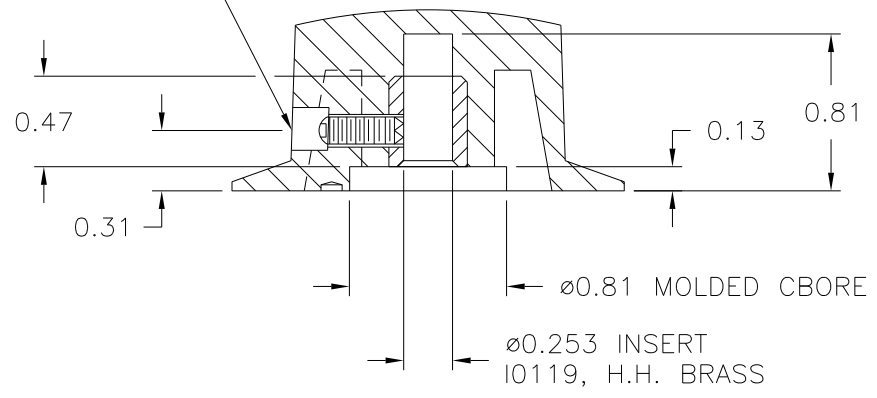
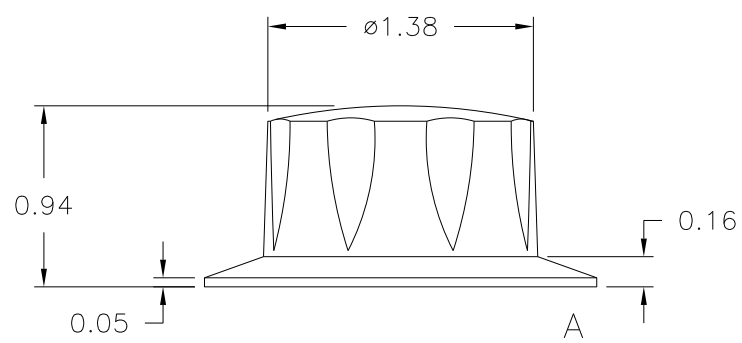
P/N	1940CJ
BASE PART	1940-03
SET SCREW	I0545
PP CLICHE	TF-1783

THIS DRAWING IS THE PROPERTY OF DAVIES MOLDING COMPANY, IS SUBMITTED SOLELY AS A DESIGN OR ENGINEERING PROJECT. WE ACCEPT NO RESPONSIBILITY WHATSOEVER FOR THE PRACTICAL APPLICATION OF THE PIECES MADE TO THIS DESIGN.

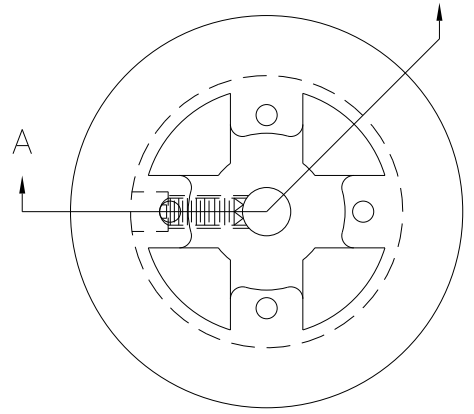


INDICATOR LINE & ARROW
PAD PRINTED IN WHITE

3/16 X 3/16 MACHINE C'BORE
USE #28 DRILL (ø0.140), #8-32 TAP.
#8-32 THREAD X 7/16 LG. CUP POINTED,
SOCKET TYPE, SET SCREW I0545



SECTION A-A



ⓑ
MATERIAL: 04311 PHENOLIC (B41)
COLOR: BLACK

TOLERANCES: UNLESS OTHERWISE SPECIFIED	DO NOT SCALE DRAWING			
DECIMALS: X.XXX ± .005 X.XX ± .015	MM: X.XX ± 0.15MM X.X ± 0.4MM	B	WAS #2511 PHENOLIC (B11)	JAM 7/16/08
FRACTIONS ± 1/64	ANG. ± 1°	A	ADDED ARROW	JAM 5/31/07
		-	WAS SK1940-55	JAM 3/28/07
CHANGES				