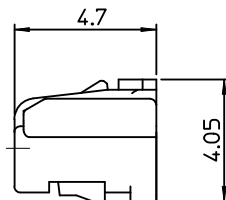
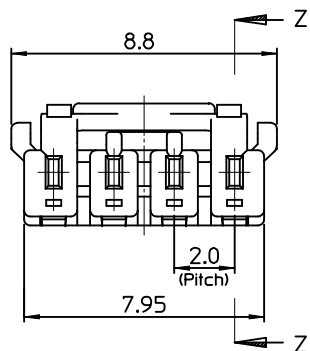
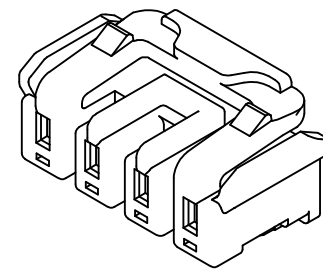


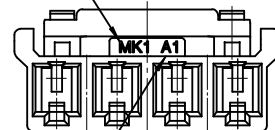
NOTES.

1. MATED WITH : 104046-0417
2. MATERIALS
HOUSING : LIQUIDE CRYSTAL POLYMER(LCP), GLASS FILLED, UL94V-0
COLOR OF NATURAL
3. APPLICABLE TERMINAL : 104466-8002



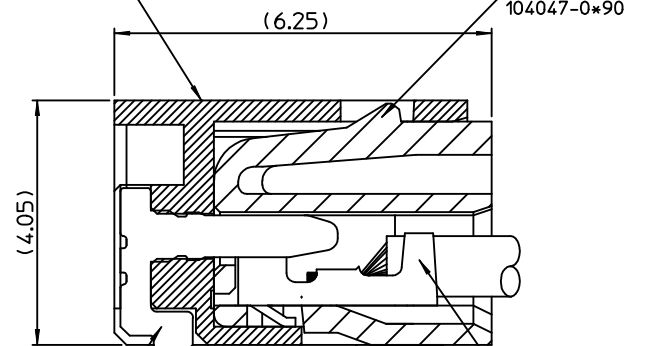
TRADE MARK

CAVITY NO.



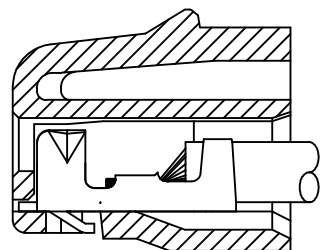
HEADER ASS'Y
104046-0*17

HOUSING
104047-0*90



104464-8002
HEADER
CONTACT TERMINAL

HEADER ASS'Y
(SCALE 12:1)



SECTION Z-Z
(SCALE 12:1)

NEW RELEASED EC NO: KOR2010-0066 DRWN:CBCHIN 2009/10/15 CHKD:WYANG 2009/10/20 APPR:YUNSIKKIM 2009/10/21	DESCRIPTION REV A	QUALITY SYMBOLS ▽=0 ▽=0	GENERAL TOLERANCES (UNLESS SPECIFIED)		DIMENSION STYLE MM ONLY		SCALE 6:1	DESIGN UNITS METRIC	THIRD ANGLE PROJECTION		
		4 PLACES ± --- ± ---	mm INCH	DRAWN BY SK.HAN	DATE 2009/03/11	2.0 W-T-B CONN. HOUSING-4P					
		3 PLACES ± --- ± ---	± 0.20 ± ---	CHECKED BY WY.YANG	DATE 2009/03/11						
		2 PLACES ± 0.25 ± ---	± 0.25 ± ---	APPROVED BY WY.YANG	DATE 2009/03/11	MOLEX MOLEX INCORPORATED		DOCUMENT NO. SD-104047-001	SHEET NO. 1 OF 01		
1 PLACE ± 0.25 ± ---	ANGULAR ± 3 °	MATERIAL NO. 1040470490		THIS DRAWING CONTAINS INFORMATION THAT IS PROPRIETARY TO MOLEX INCORPORATED AND SHOULD NOT BE USED WITHOUT WRITTEN PERMISSION							
DRAFT WHERE APPLICABLE MUST REMAIN WITHIN DIMENSIONS											