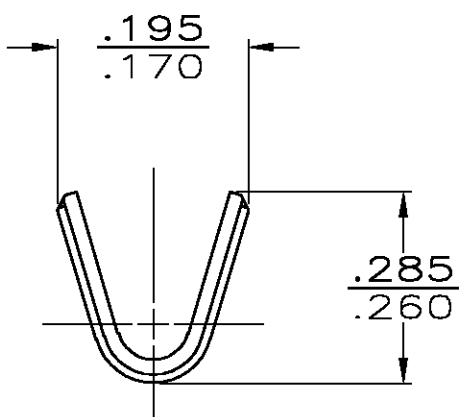
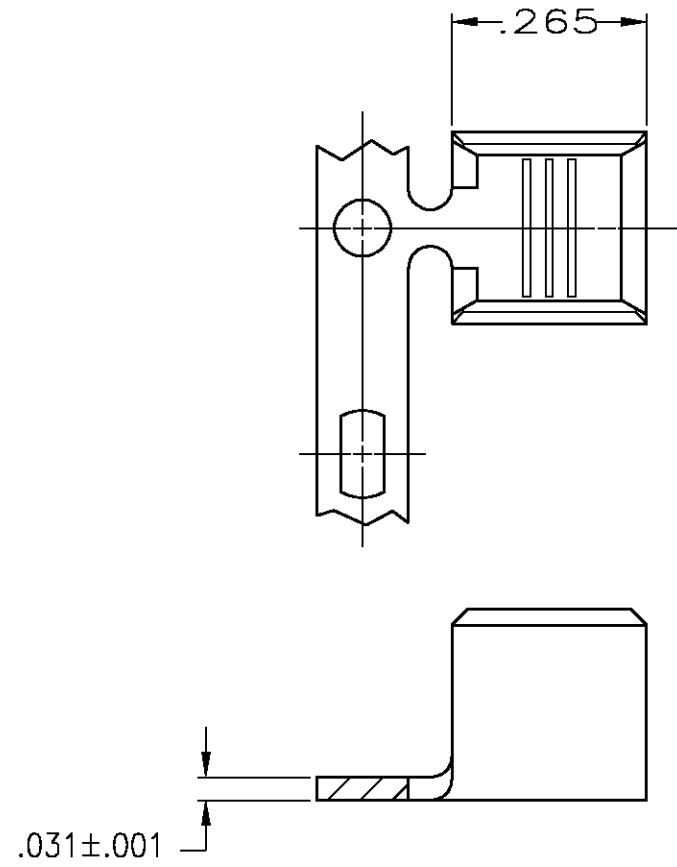


THIS DRAWING IS UNPUBLISHED. RELEASED FOR PUBLICATION
 © COPYRIGHT BY TYCO ELECTRONICS CORPORATION. ALL RIGHTS RESERVED.

LOC	DIST	REVISIONS				
P	LTR	DESCRIPTION	DATE	DWN	APVD	
AF	50	C	REVISED PER 0G3A-0016-03	14FEB03	JR GP	

- 1 CONTINUOUS STRIP ON REELS.
- 2 CRIMP WIDTH: .180 F TYPE
 CRIMP HEIGHT: $(\pm .002) = (\text{TOTAL CMA} + 28,300) / 289,800$
 FOR APPLICATOR INFORMATION CALL: 1-800-722-1111
 FOR PRODUCT INFORMATION CALL: 1-800-522-6752



9,000-16,000	63414-1
CMA WIRE SIZE	PART NUMBER

THIS DRAWING IS A CONTROLLED DOCUMENT.		DWN 19DEC2002 MICHAEL S. FEHER	Tyco Electronics Corporation Harrisburg, PA 17105-3608	
DIMENSIONS: INCHES		CHK 19DEC2002 GARY PORTA		
		APVD 19DEC2002 GARY PORTA	NAME -	
TOLERANCES UNLESS OTHERWISE SPECIFIED:		PRODUCT SPEC	SPLICE	
0 PLC ± - 1 PLC ± - 2 PLC ± - 3 PLC ± .010 4 PLC ± - ANGLES ± -		APPLICATION SPEC	-	
MATERIAL #3 HARD STEEL		WEIGHT -	SIZE A3	CAGE CODE 00779
FINISH .000080 MIN TIN		CUSTOMER DRAWING	DRAWING NO C-63414	RESTRICTED TO -
		SCALE 4:1	SHEET 1 OF 1	REV C