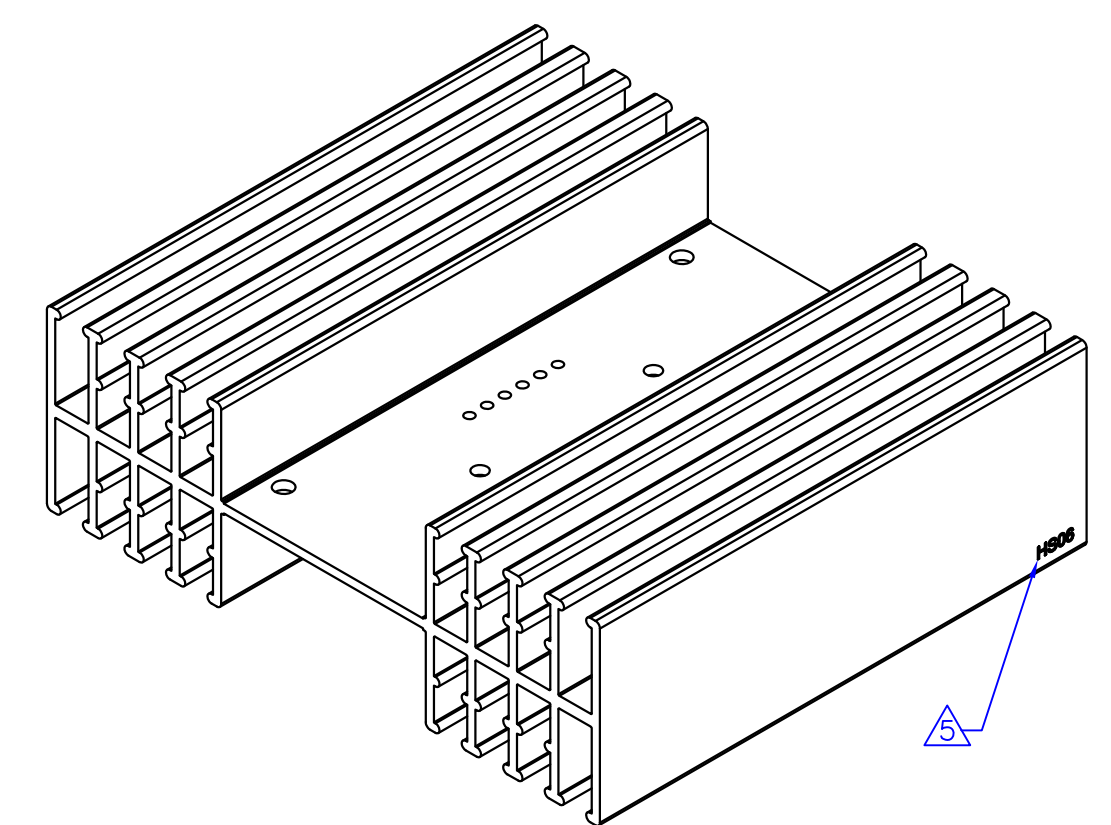
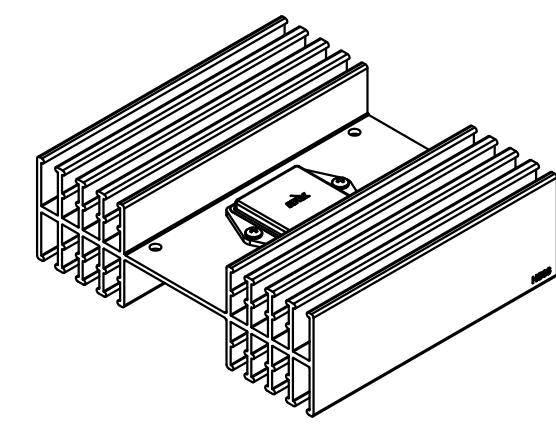
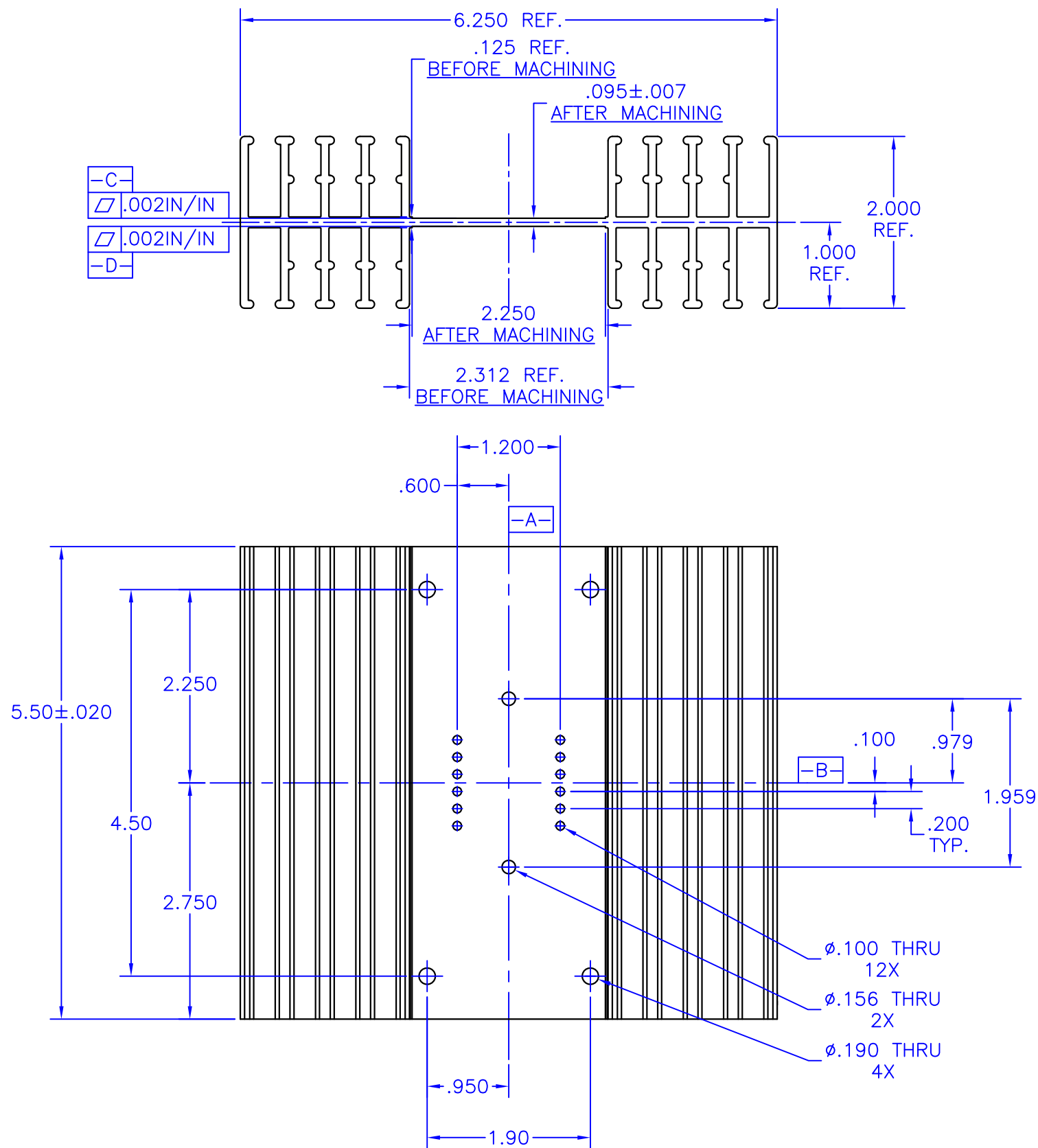


8 7 6 5 4 3 2 1

E  
D  
C  
B  
A

E  
D  
C  
B  
A



**NOTES:**

1. Unless otherwise noted, all dimensions are in inches.
2. Break all sharp edges, de-burr & remove loose chips.
3. Material: 6063-T5 aluminum (AAVID Thermalloy extrusion 60315)
4. Finish: Anodize per MIL-A-8625, Type II, Class 2, Black  
Typical breakdown voltage > 300V
5. Mark Part Number with contrasting ink as shown.
6. Approximate Weight: 24.2 oz [686g]
7. Thermal rating: 0.96 °C/W

TOLERANCES - UNLESS OTHERWISE SPECIFIED		TITLE: POWER DIP HEATSINK		MODEL: HS06	
.XX = ±.01 [.254]		SUBJECT: MECHANICAL DRAWING		ENGINEER: D-M	
.XXX = ±.005 [.127]		DRAWN BY: RMOR		DATE: 15OCT13	
ANG. = ±5°		DCA: 13356		REV: K	
APEX MICROTECHNOLOGY		SPL: 1		CP: 1	
		FILENAME: HS06			

8 7 6 5 4 3 2 1