

DESCRIPTION: POWER / SIGNAL - VERTICAL BOARD - MALE - MACHINED

SPECIFICATIONS:

ELECTRICAL:

INSULATOR RESISTANCE: 5 G OHMS Min.
 DIELECTRIC WITHSTANDING: 1,000VAC r.m.s.
 OPERATING TEMPERATURE: -55° C ~ +155° C
 POWER CONTACT RESISTANCE: 1.0 Milliohms Max.
 SIGNAL CONTACT RESISTANCE: 2.7 Milliohms Max.
 POWER PINS: 40 AMPS
 SIGNAL PINS: 5 AMPS

MECHANICAL:

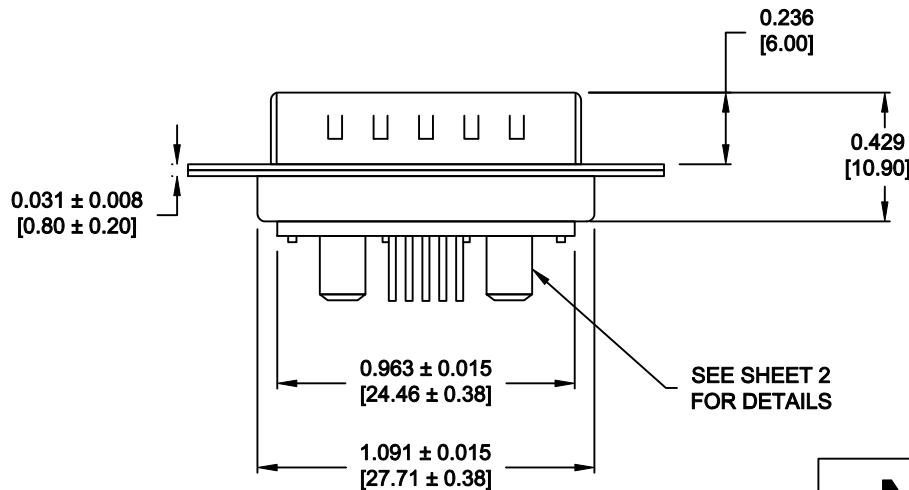
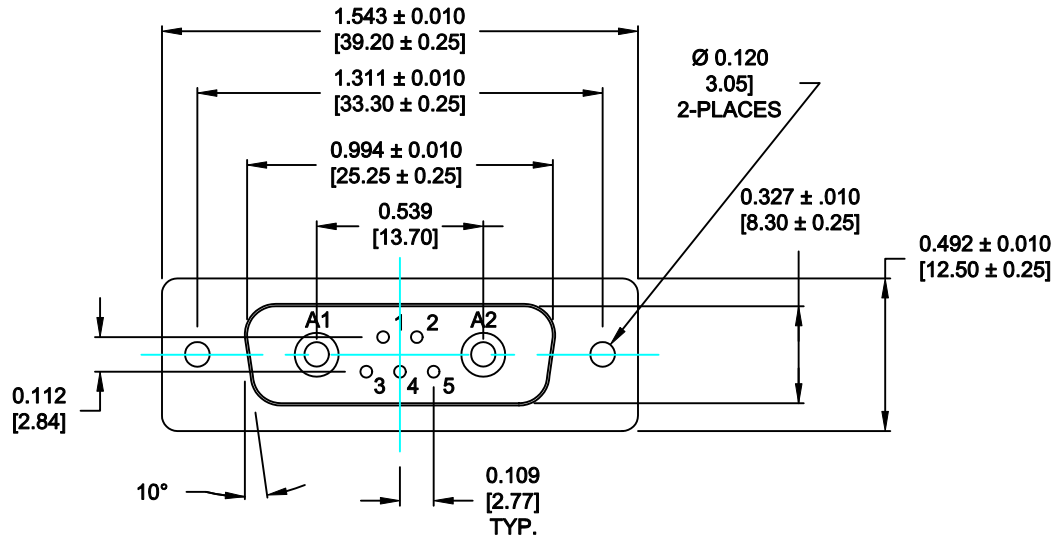
CONTACT INSERTION FORCE: 4.5 Kg Max.
 CONTACT SEPARATOR FORCE: 0.3Kg Min.

MATERIALS:

CONTACTS: COPPER ALLOY
 INSULATOR: PBT UL94V-0 RATED, BLK
 230°C PROCESS TEMP.
 SHELL: STEEL
 SEAL: F08 FLEXIBLE ADHESIVE

FINISH:

SHELL: NICKEL
 CONTACTS: FULL GOLD FLASH




681S7W2103L001

00 = 40 AMPS

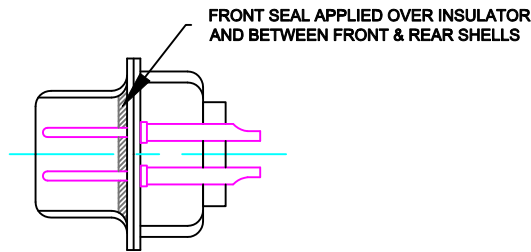
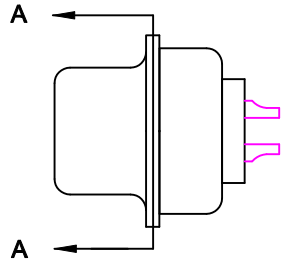
MEETS IP67 STANDARDS

(SEE PAGE 2 FOR SEALING DETAILS)

RoHS COMPLIANT

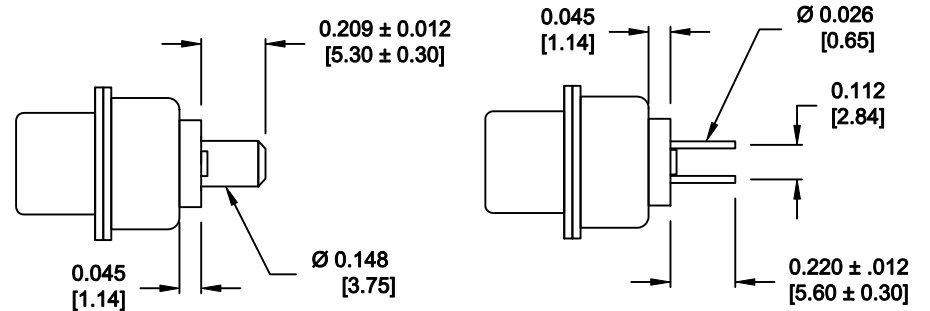
	THESE DRAWINGS AND SPECIFICATIONS ARE THE PROPERTY OF NorComp AND SHALL NOT BE REPRODUCED, COPIED OR USED AS THE BASIS FOR THE MANUFACTURE OF SALE OF APPARATUS WITHOUT WRITTEN PERMISSION.		DRAWN: P.JENKINS	DATE: 09-13-11
			CHECKED: X	DATE: X
<h1>NorComp</h1>		SCALE: N.T.S.	SHEET 1 OF 2	REV 0
		DWG NO. 681S7W2103L001		

DESCRIPTION: 681 SERIES CONTACTS



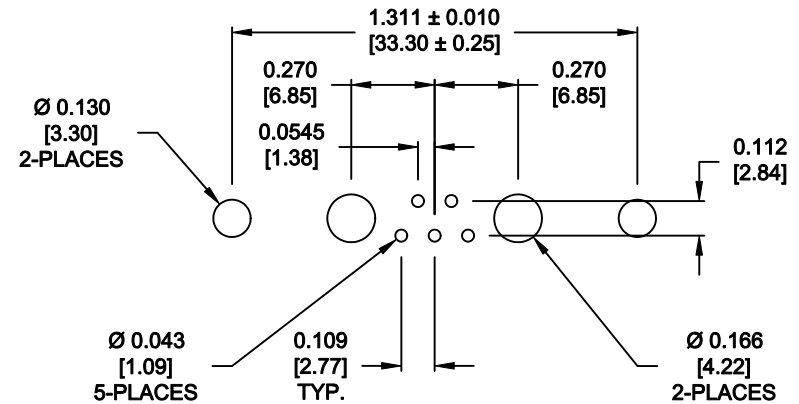
DETAIL A-A
SHOWN FOR REFERENCE ONLY

NOTE: SIGNAL AND POWER CONTACTS
COME PRE-LOADED INTO INSULATORS



POWER CONTACTS

SIGNAL CONTACTS



RECOMMENDED PCB LAYOUT
TOLERANCE ± 0.002 [0.05]

RoHS COMPLIANT



THESE DRAWINGS AND SPECIFICATIONS
ARE THE PROPERTY OF NorComp AND
SHALL NOT BE REPRODUCED, COPIED
OR USED AS THE BASIS FOR THE
MANUFACTURE OF SALE OF APPARATUS
WITHOUT WRITTEN PERMISSION.

DRAWN:
P. JENKINS

DATE:
09-13-11

CHECKED:
X

DATE:
X

SCALE:
N.T.S.

SHEET
2 OF
2

REV
0

NorComp

DWG NO. **681S7W2103L001**