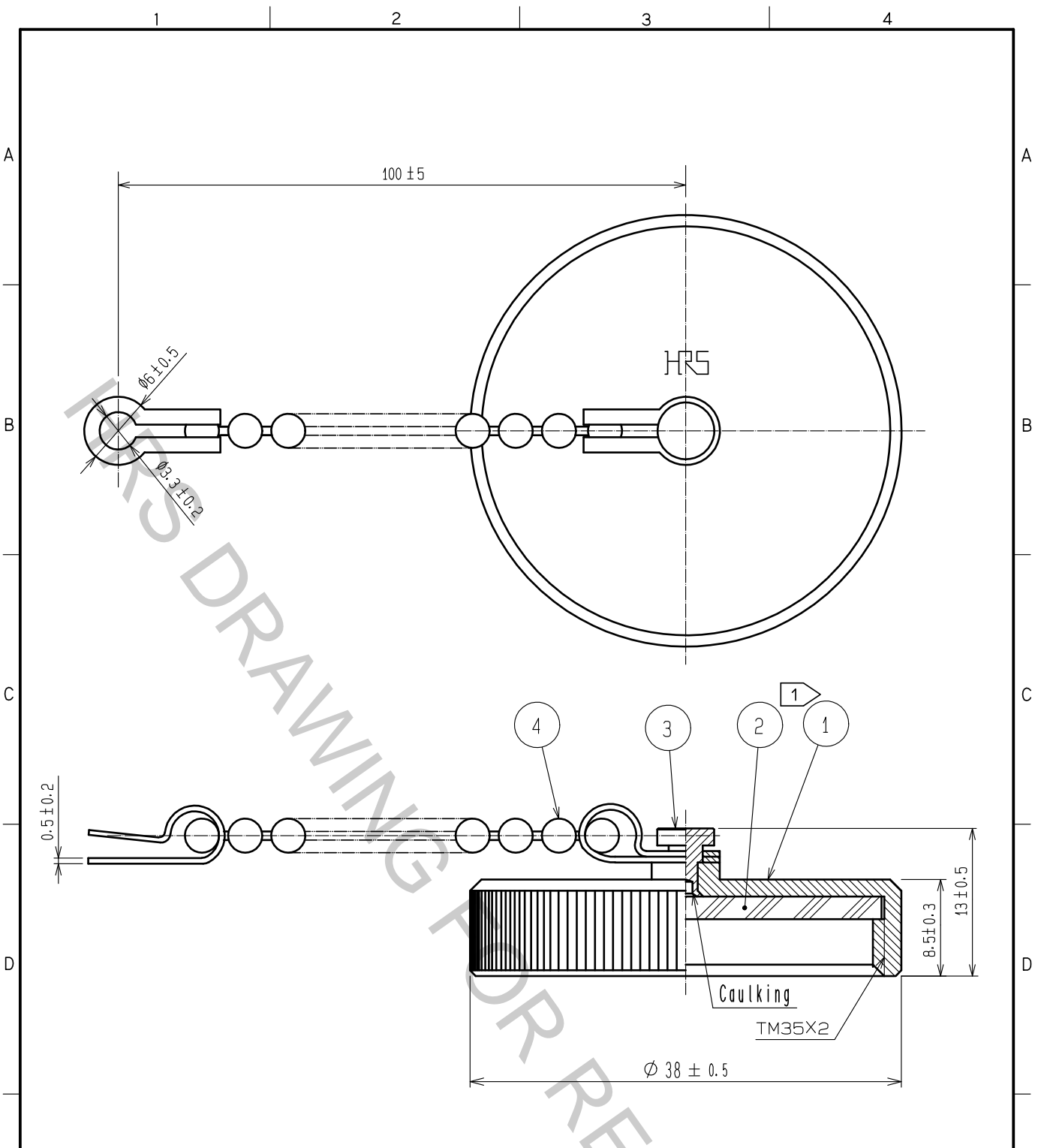


Aug.1.2018 Copyright 2018 HIROSE ELECTRIC CO., LTD. All Rights Reserved.  
 In case that the application demands a high level of reliability, such as automotive,  
 please contact a company representative for further information.



Notes ①: The recommended tightening of ref. ① to be 2N·m.  
 2. This product is a cap for RM31TR+-(\*) , RM31WTR+-(\*) . It is applicable regardless of given alphabets or numbers shown at \*.

| 2                               | Chloroprene rubber | (Black)          | 4          | Glass                    | Nickel plating   |
|---------------------------------|--------------------|------------------|------------|--------------------------|------------------|
| 1                               | Glass              | Nickel plating   | 3          | Glass                    | Nickel plating   |
| NO.                             | MATERIAL           | FINISH . REMARKS | NO.        | MATERIAL                 | FINISH . REMARKS |
| UNITS<br>mm                     |                    | SCALE<br>2 : 1   | COUNT<br>  | DESCRIPTION OF REVISIONS | DESIGNED         |
| HIROSE<br>ELECTRIC<br>CO., LTD. | APPROVED           | ·HY. KOBAYASHI   | 18. 02. 22 | DRAWING NO.              | EDC-003165-31-00 |
|                                 | CHECKED            | ·HY. KOBAYASHI   | 18. 02. 22 | PART NO.                 | RM31TR-C(31)     |
|                                 | DESIGNED           | ·HY. KISHI       | 18. 02. 21 | CODE NO.                 | CL109-0394-3-31  |
|                                 | DRAWN              | ·MK. INOUE       | 18. 02. 06 |                          |                  |