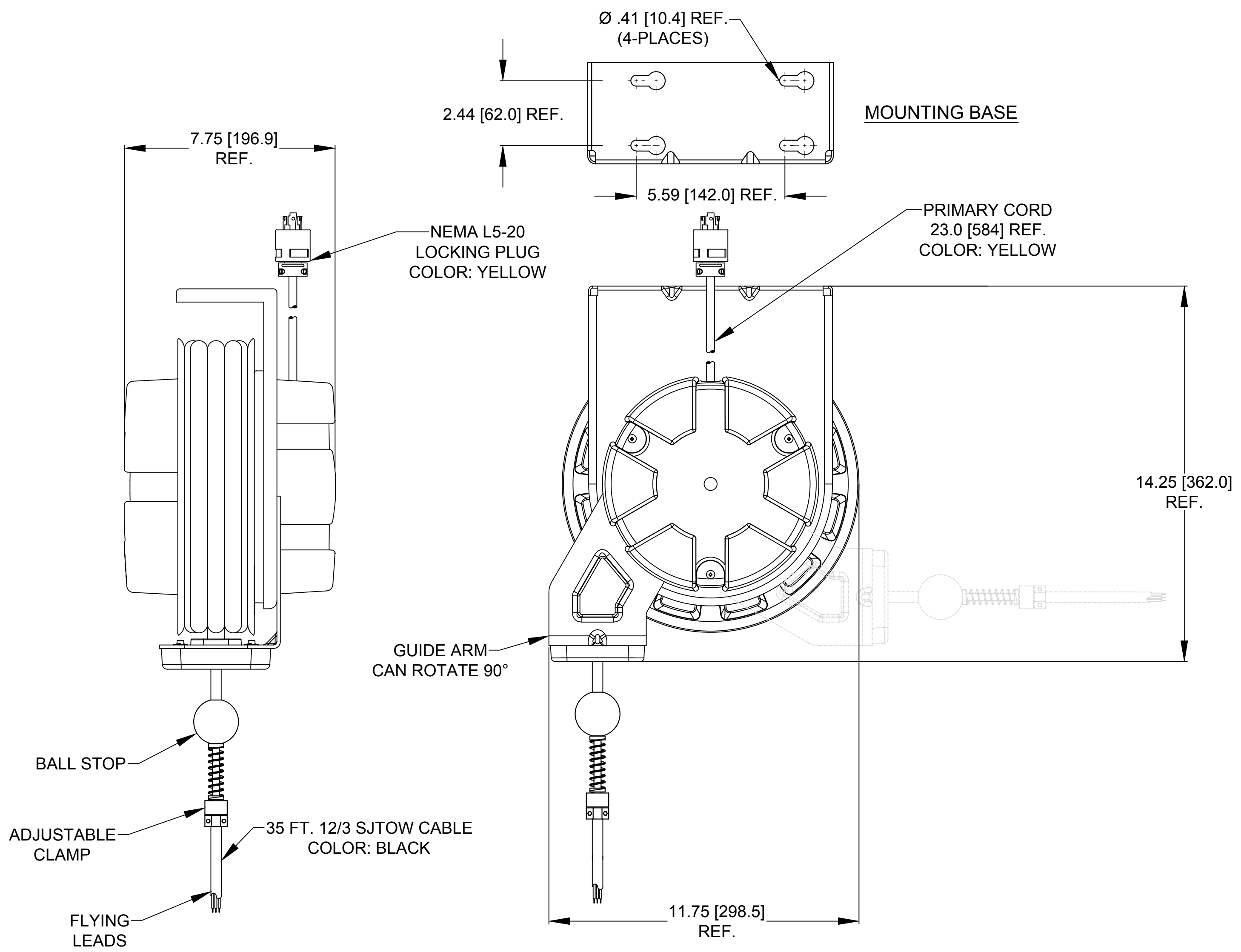



ORDER NO.	1300910205
WOODHEAD ENG. NO.	998L
WIRE GAUGE	12
CONDUCTORS	3
AMPERAGE	20A
CORD LENGTH	35 FT [10.6 M]
CORD TYPE	SJTOW
CONSTRUCTION	SHEET METAL
PAINT	YELLOW POWDER COAT
REEL ENCLOSURE RATING	INDOOR
RETRACTION WEIGHT	3.0 LB [1.4 KG]



- NOTES:**
1. CABLE GUIDE IS ADJUSTABLE - DUAL POSITION
 2. RATCHET LOCK IS EASY TO DISENGAGE FOR CONSTANT TENSION.
 3. REEL CANNOT BE "LOCKED OUT" AT FULL TENSION.
 4. BALL STOP INCLUDED
 5. CSA CERTIFIED
FILE NO. LR29921 

RELEASE SALES DRAWING EC NO.: IPG2016-0112 DRWN: KCOX01 2015/07/30 CH'KD: HRUIZ01 2015/07/30 APPR: JFMURPHY 2015/09/17	QUALITY SYMBOL	GENERAL TOLERANCES (UNLESS SPECIFIED)		DIMENSION STYLE INCH/MM		SCALE NTS	DESIGN UNITS INCH	THIRD ANGLE PROJECTION		
	▽=0	mm	INCH	DRAWN BY	DATE	TITLE				
	▽C=0	4 PLACES	±---	±---	KCOX01	2015/07/30	20A CORDREEL W/FLY LEADS			
		3 PLACES	±---	±.005	CHECKED BY	DATE	35' #12-3 SJTOW			
		2 PLACES	±.13	±.010	HRUIZ01	2015/07/30	NEMA L5-20 LOCKING PLUG			
	1 PLACE	±.25	±.020	APPROVED BY	DATE	MATERIAL NO.		DOCUMENT NO.		SHEET NO.
		ANGULAR ±1/2°		JFMURPHY	2015/09/17	1300910205		SD-130091-015		1 OF 1
		DRAFT WHERE APPLICABLE MUST REMAIN WITHIN DIMENSIONS		SIZE C		THIS DRAWING CONTAINS INFORMATION THAT IS PROPRIETARY TO MOLEX INCORPORATED AND SHOULD NOT BE USED WITHOUT WRITTEN PERMISSION				