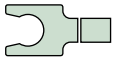
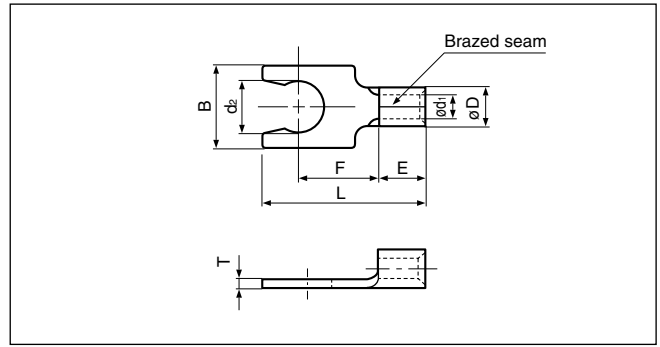
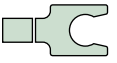


Solderless terminals



LOCKING SPADE TONGUE (LS type) Non-insulated

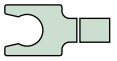


Certificate No.: E42024

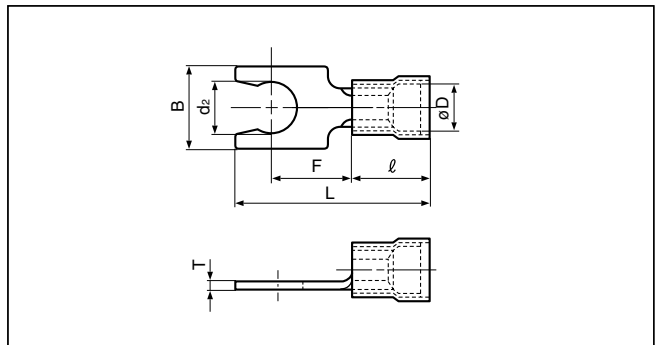
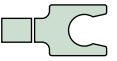
Applicable Wire AWG#(mm ²)	Stud size		Part No.	Standard	Dimensions mm (in.)								Tool No.	Qty/box
	American	Metric			d ₂	B	L	F	E	ø D	ø d ₁	T		
22 to 16 (0.25 to 1.65)	6	3.5	1.25-3.5LS		3.7 (.146)	6.4 (.252)	13.6 (.535)	5.9 (.232)	4.8 (.189)	3.3 (.130)	1.9 (.075)	0.7 (.028)	YHT-2210 YA-1 YA-2 YA-4 BCT-0514	1,000
	8	4	1.25-4LS		4.3 (.169)	7.1 (.280)	16.0 (.630)	7.2 (.283)						
	10	5	1.25-5LS		5.3 (.209)	8.4 (.331)	17.0 (.669)	8.2 (.323)						
16 to 14 (1.04 to 2.63)	6	3.5	2-3.5LS		3.7 (.146)	6.4 (.252)	14.0 (.551)	6.3 (.248)	4.8 (.189)	4.0 (.157)	2.3 (.091)	0.8 (.031)	YHT-2210 YA-1 YA-2 YA-4 BCT-0514	1,000
	8	4	2-4LS		4.3 (.169)	7.1 (.280)	16.0 (.630)	7.4 (.291)						
	10	5	2-5LS		5.3 (.209)	8.4 (.331)	17.0 (.669)	8.4 (.331)						
12 to 10 (2.63 to 6.64)	6	3.5	5.5-3.5LS		3.7 (.146)	7.9 (.311)	18.2 (.717)	7.1 (.280)	6.8 (.268)	5.5 (.217)	3.6 (.142)	0.9 (.035)	YHT-2210 YA-1 YA-2 YA-4 BCT-0514	500
	8	4	5.5-4LS		4.3 (.169)	7.9 (.311)	18.2 (.717)	7.1 (.280)						
	10	5	5.5-5LS		5.3 (.209)	8.4 (.331)	18.2 (.717)	7.1 (.280)						

Note:1) The part numbers indicated in the above table are for products with a brazed seam.
2) Delivery lead times may vary depending on the product. Contact JST for details.

Solderless terminals



LOCKING SPADE TONGUE (LS type) Nylon-insulated with copper sleeve



Certificate No.: E42024

Applicable Wire AWG#(mm ²)	Stud size		Part No.	Standard	Dimensions mm (in.)								Color	Tool No.	Qty/box
	American	Metric			d ₂	B	L	F	l	ø D	T				
22 to 16 (0.25 to 1.65)	6	3.5	FND1.25-3.5LS		3.7 (.146)	6.4 (.252)	18.4 (.724)	5.9 (.232)	9.6 (.378)	4.0 (.157)	0.7 (.028)	Red	YNT-2216 YA-1 YA-2 YA-4 BCT-0514	1,000	
	8	4	FND1.25-4LS		4.3 (.169)	7.1 (.280)	20.8 (.819)	7.2 (.283)							
	10	5	FND1.25-5LS		5.3 (.209)	8.4 (.331)	21.8 (.858)	8.2 (.323)							
16 to 14 (1.04 to 2.63)	6	3.5	FND2-3.5LS		3.7 (.146)	6.4 (.252)	18.8 (.740)	6.3 (.248)	9.6 (.378)	4.7 (.185)	0.8 (.031)	Blue	YNT-1614 YA-1 YA-2 YA-4 BCT-0514	1,000	
	8	4	FND2-4LS		4.3 (.169)	7.1 (.280)	20.8 (.819)	7.4 (.291)							
	10	5	FND2-5LS		5.3 (.209)	8.4 (.331)	21.8 (.858)	8.4 (.331)							
12 to 10 (2.63 to 6.64)	6	3.5	FND5.5-3.5LS		3.7 (.146)	7.9 (.311)	25.4(1.000)	7.1 (.280)	14.0 (.551)	6.5 (.256)	0.9 (.035)	Yellow	YNT-1210S YA-4 BCT-0514	500	
	8	4	FND5.5-4LS		4.3 (.169)	7.9 (.311)	25.4(1.000)	7.1 (.280)							
	10	5	FND5.5-5LS		5.3 (.209)	8.4 (.331)	25.4(1.000)	7.1 (.280)							

Note:1) The part numbers indicated in the above table are for products with a brazed seam.
2) Delivery lead times may vary depending on the product. Contact JST for details.