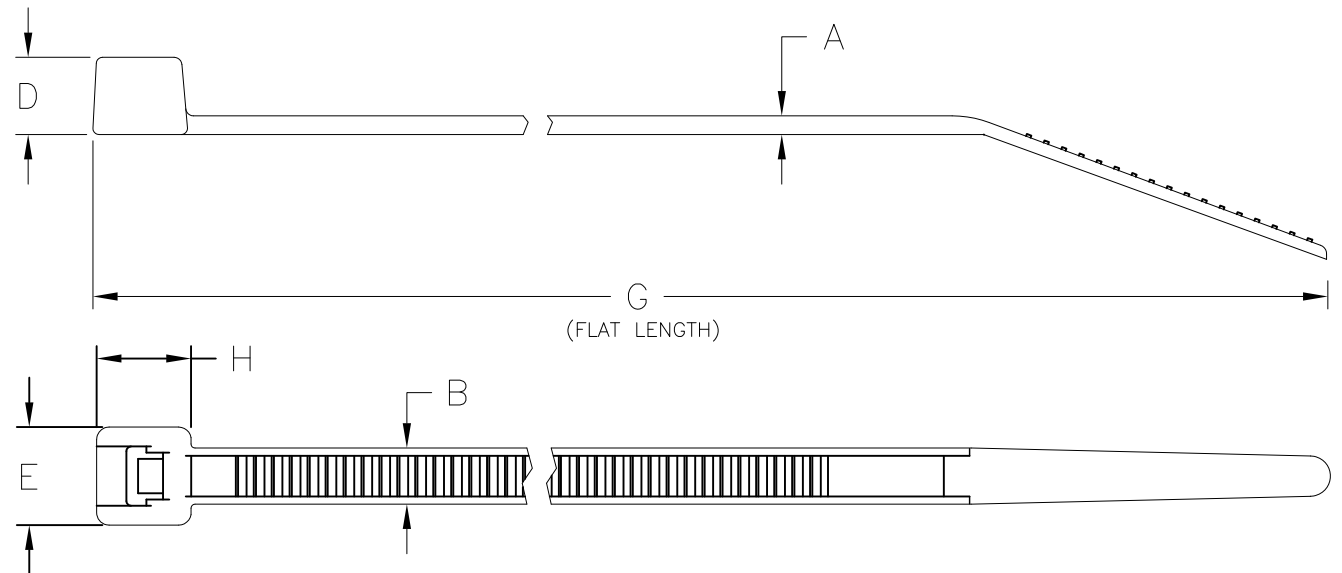


| | | | | | | |
|----------------|---------|-----------------|---------|----------|----------|----------|
| Revision level | | Revision Record | Changed | Date | Approved | Date |
| part | drawing | | | | | |
| — | 02 | See ECN 011200 | A.A.C. | 12/11/08 | K.A.C. | 10/03/02 |



PRODUCT CODE DESCRIPTION

T30R_PP
 COLOR
 (CONSULT FACTORY FOR AVAILABLE COLORS)



| Aerospace Spec. Tie SAE A33671 | Product Code | Cable Range (mm) | Material | A | B | D | E | G | H | Min Loop Tensile Strength (newtons) |
|--------------------------------|--------------|------------------|----------|----------|----------|-----------|----------|------------|----------|-------------------------------------|
| no | T30R_PP | 8 to 32 | PP | 1.1 ±0.2 | 3.6 ±0.5 | 4.28 ±0.8 | 6.0 ±0.5 | 148.0 ±7.0 | 5.9 ±0.5 | 89 |

SEE CHART

Material

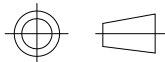
Dimension tolerances unless otherwise specified

- .XXXX =
- .XXX =
- .XX =
- .X = NOTED
- < =

Dimension Units mm

PERFORMANCE SPECIFICATION

ACAD MECH
2008



Drawn A.A.M. 07/13/99
 Approved K.A.C. 12/11/08

Scale 2:1 Computer File Number CT\CST\PPP\203009_02

Title T30R POLYPROPYLENE STANDARD CABLE TIE

ALL PROPRIETARY RIGHTS IN THE SUBJECT MATTER SHOWN ON THIS DRAWING ARE EXCLUSIVE PROPERTY OF HELLERMANNTYTON

HellermanTyton

7930 N. Faulkner Rd.
 Milwaukee, WI 53224
 Ph: (414) 355-1130
 Fx: (414) 362-8338

Drawing-No

CT203009CSTPPP

Format

AH

Sheet 1 of 1