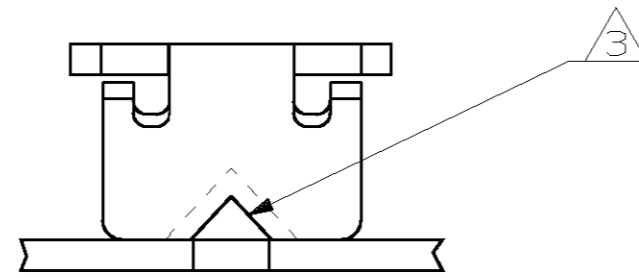
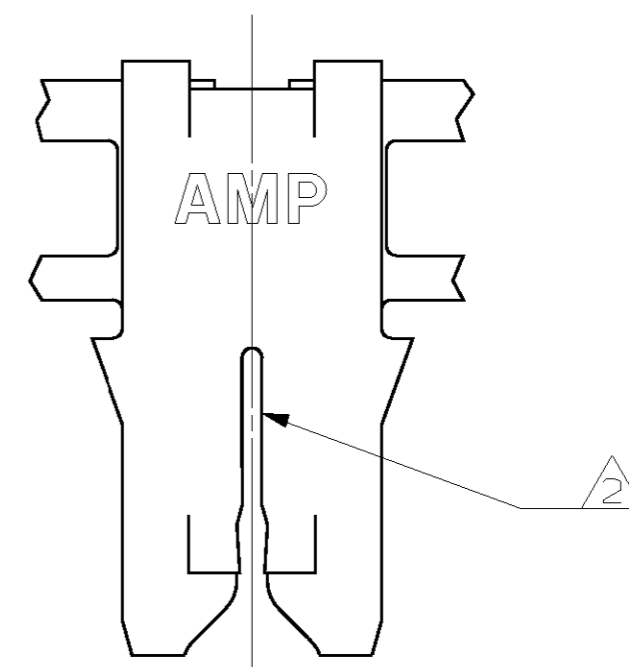
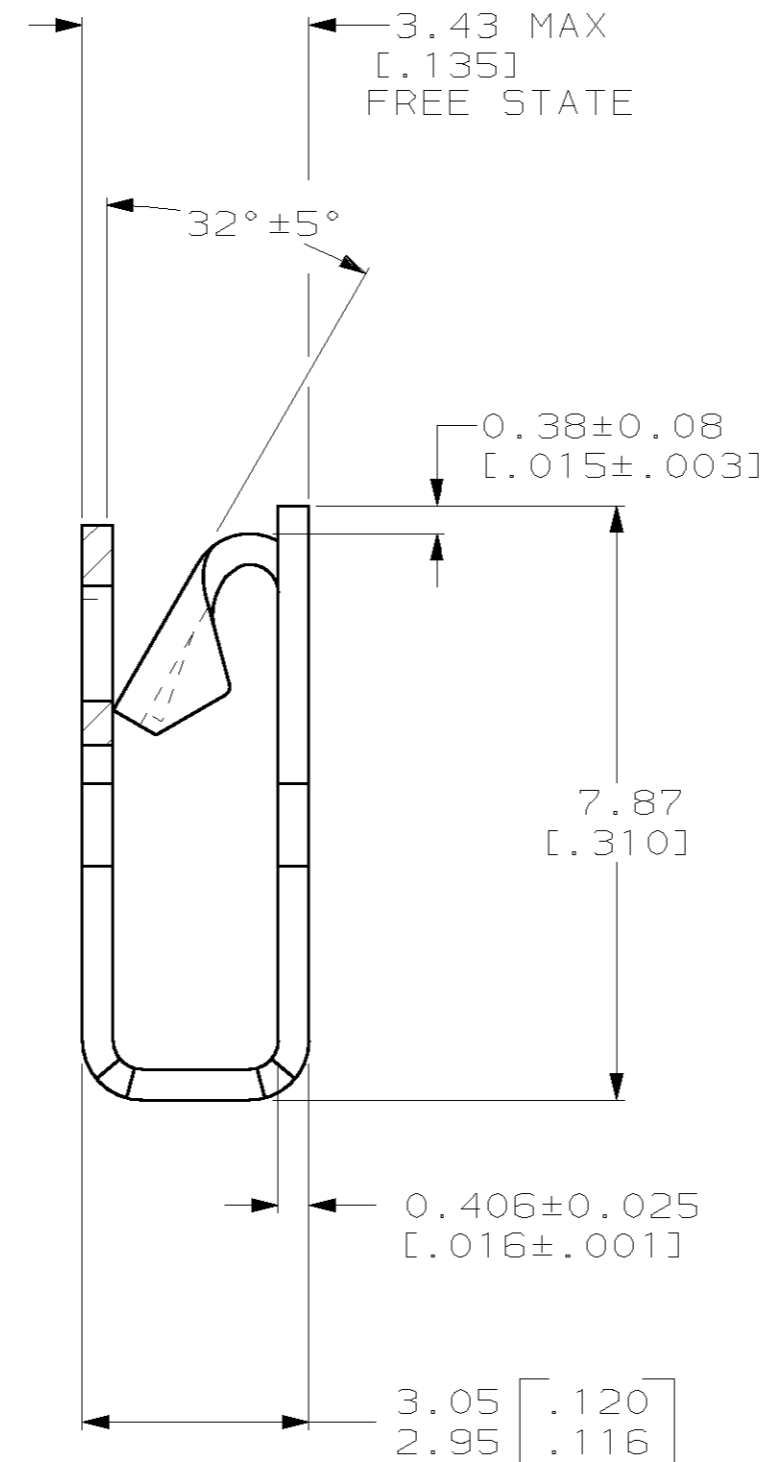
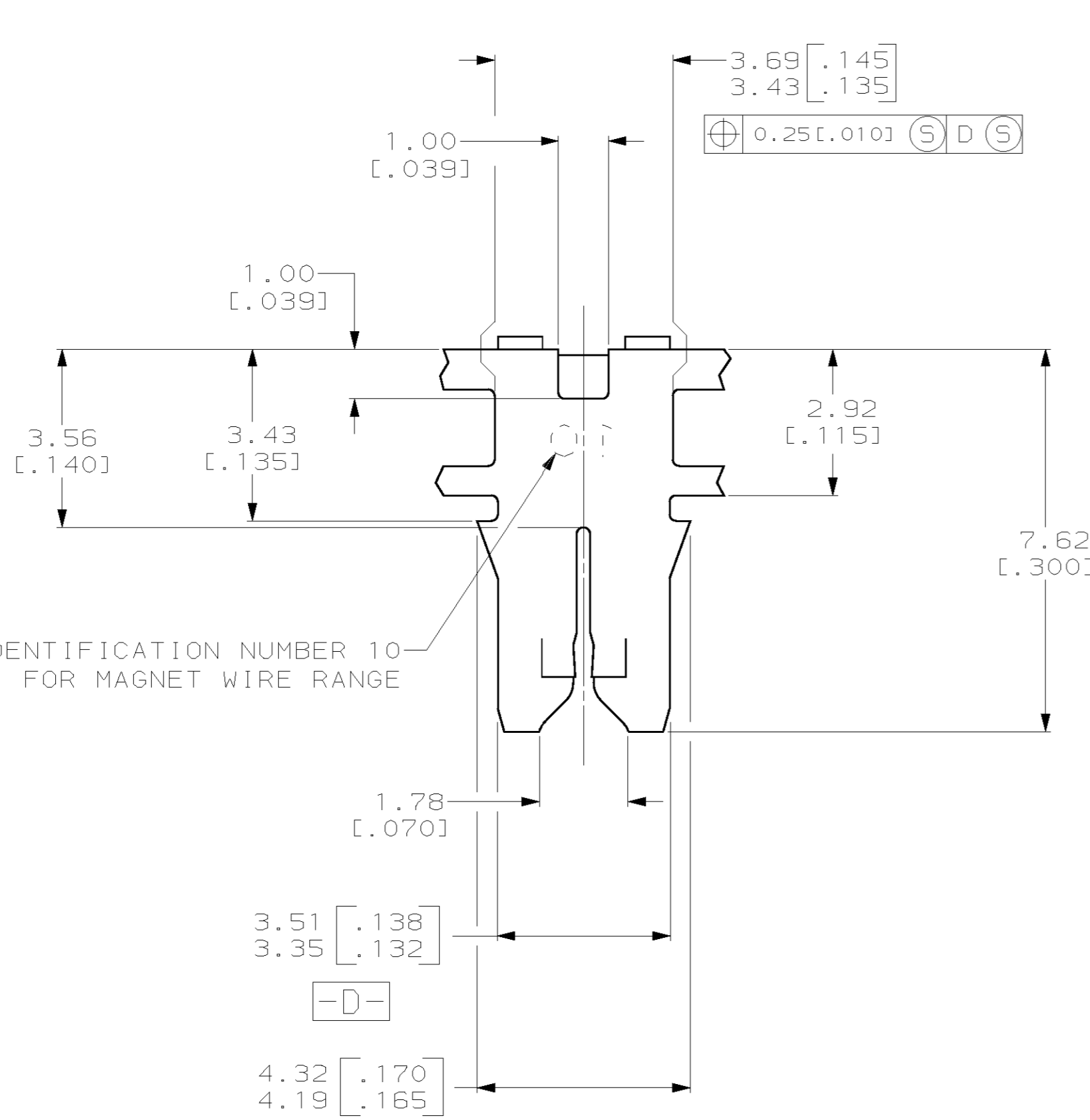


THIS DRAWING IS UNPUBLISHED. RELEASED FOR PUBLICATION .19
 BY AMP INCORPORATED. ALL RIGHTS RESERVED.

LOC	DIST	REVISIONS			
P	LTR	DESCRIPTION	DATE	DWN	APVD
AF	50	B	REVISED PER 063A-0451-00	24JUL00	MF KR



- 1 CONTINUOUS STRIP ON REELS WITH TERMINALS LOCATED ON 5.59±0.08 [.220±.003] CENTERS.
- 2 SLOT ACCEPTS 0.36-0.57mm [#27-#23] AWG COPPER MAGNET WIRE. A SINGLE WIRE ONLY.
- 3 POKE-IN ACCEPTS A 0.50-0.90mm² [#20-#18] AWG SOLID OR FUSED STRANDED LEAD WIRE.



IDENTIFICATION NUMBER 10 FOR MAGNET WIRE RANGE

1217182

THIS DRAWING IS A CONTROLLED DOCUMENT.		DWN 26JUL1999 MICHAEL S. FEHER	WITHOUT PAPER	1217182-1
DIMENSIONS: mm [INCHES]		CHK 26JUL1999 PETE DESANTIS	REELING	PART NUMBER
TOLERANCES UNLESS OTHERWISE SPECIFIED:		APVD 26JUL1999 KURT A. RANDOLPH	AMP Incorporated Harrisburg, PA 17105-3608	
0 PLC ±-		PRODUCT SPEC	TERMINAL, POKE-IN, 300 SERIES MAG-MATE™	
1 PLC ±-		108-2012	SIZE	CAGE CODE
2 PLC ±0.25 [.010]		APPLICATION SPEC	114-2046	DRAWING NO
3 PLC ±-		114-2046	A2 00779	1217182
4 PLC ±-		MIN TIN PLATE	SCALE	10:1
ANGLES ±-		CUSTOMER DRAWING	SHEET	1 OF 1
MATERIAL 4M BRASS		WEIGHT -	REV	B