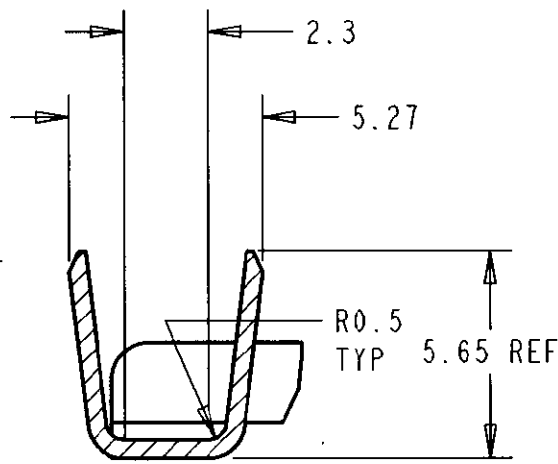
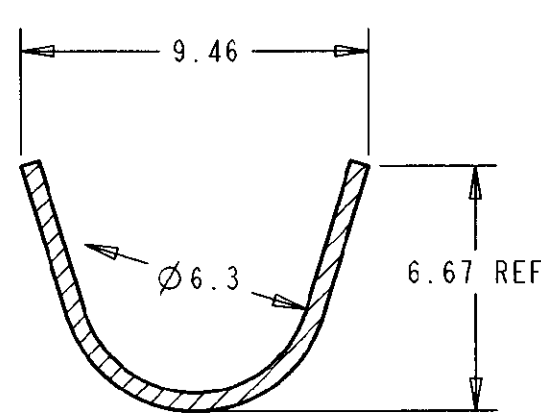
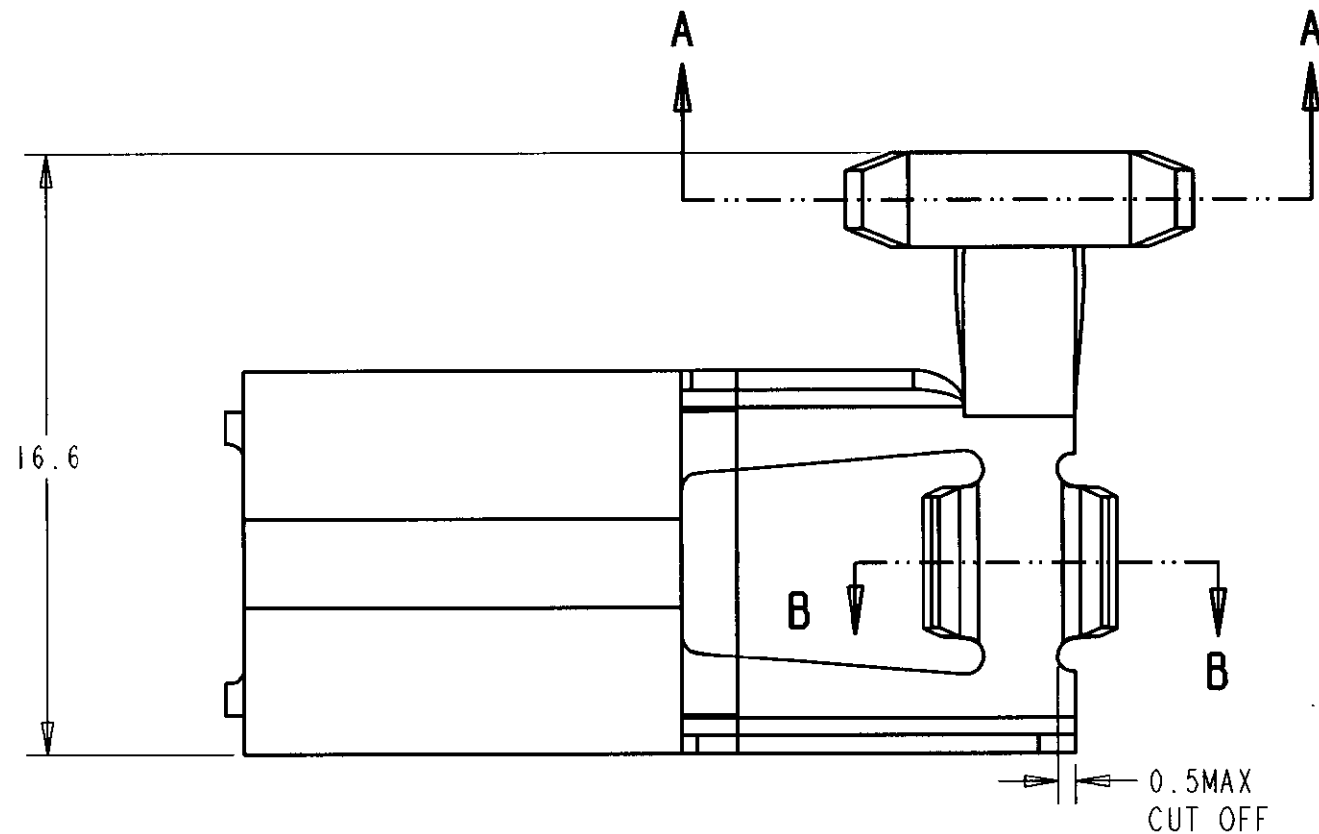
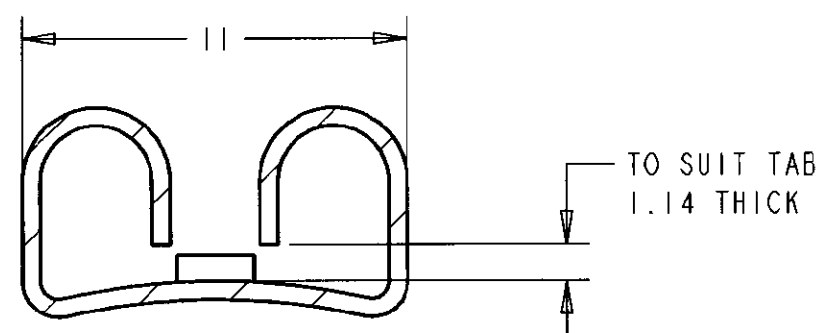


LOC		REVISIONS				
P	LTR	DESCRIPTION	DATE	DWN	APVD	
	M	EB00-0679-99	23-12-99	DRT	FWK	

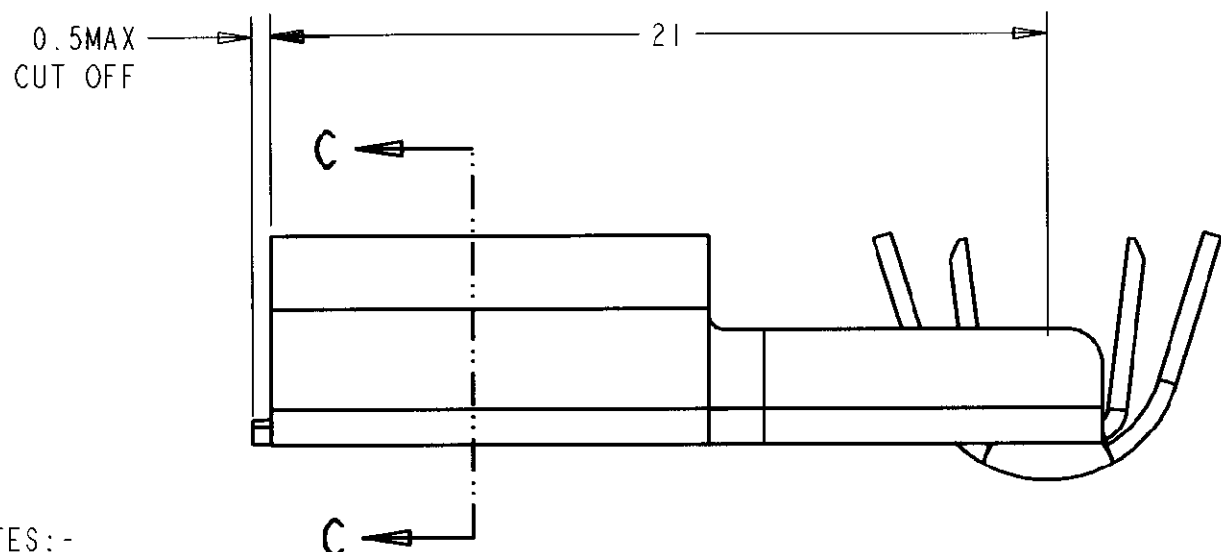


SECTION A-A
SCALE 5:1

SECTION B-B
SCALE 5:1



SECTION C-C
SCALE 5:1



REV.	REEL OF	FINISH	MATERIAL	PART NUMBER
	-2	ELECTRO TIN	BRASS	154897-8
	-1	NONE	BRASS	154897-7
	151791-5	ELECTRO TIN	PHOS. BRONZE	154897-5
	151791-4	SILVER	PHOS. BRONZE	154897-4
	151791-3	NONE	PHOS. BRONZE	154897-3
	151791-2	ELECTRO TIN	BRASS	154897-2
	151791-1	NONE	BRASS	154897-1
	LOOSE PIECE	FINISH	MATERIAL	PART NUMBER

NOTES:-

INSULATION RANGE	LOG No
WITH 'F' CRIMP 3.42-4.88	576016-3
WITH 'O' CRIMP 4.87-5.94	576016-4

- SEE LOG SHEET FOR CRIMP WIDTH AND HEIGHT.
- WIRE RANGE 3-6mm².

THIS DRAWING IS A CONTROLLED DOCUMENT FOR AMP INCORPORATED. IT IS SUBJECT TO CHANGE AND THE CONTROLLING ENGINEERING ORGANIZATION SHOULD BE CONTACTED FOR THE LATEST REVISION.

DWN D.R. TERRY 23-Dec-99
CHK M. HUGHES 23-Dec-99
APVD FWK 23-Dec-99

AMP AMP of Great Britain Ltd, Stanmore, Middlesex, HA7 4RS.

NAME: .375 SERIES FLAG FASTON RECEPTACLE

SIZE: A3 CAGE CODE: 00779 DRAWING NO: ©-154897

MATERIAL: SEE LIST FINISH: SEE LIST

CUSTOMER DRAWING SCALE: 5:1 SHEET: 1 OF 1 REV: M