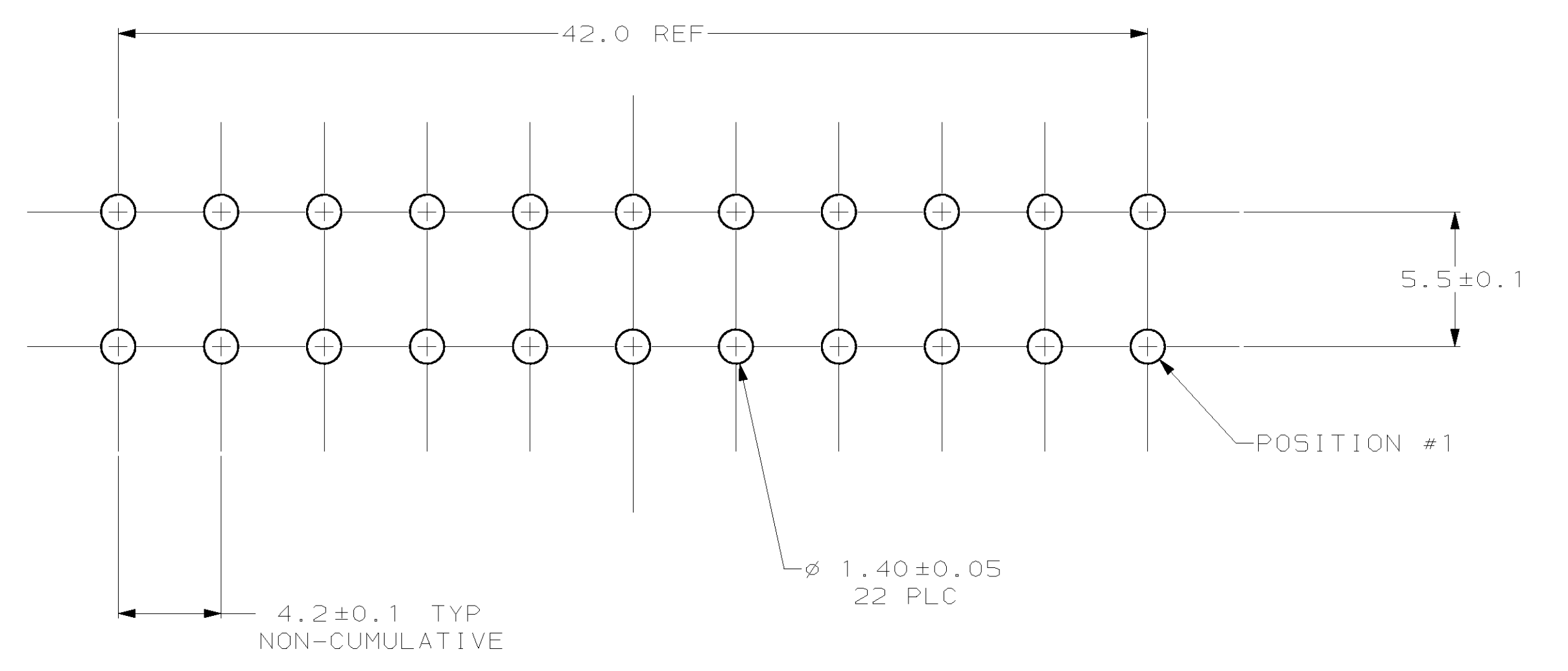
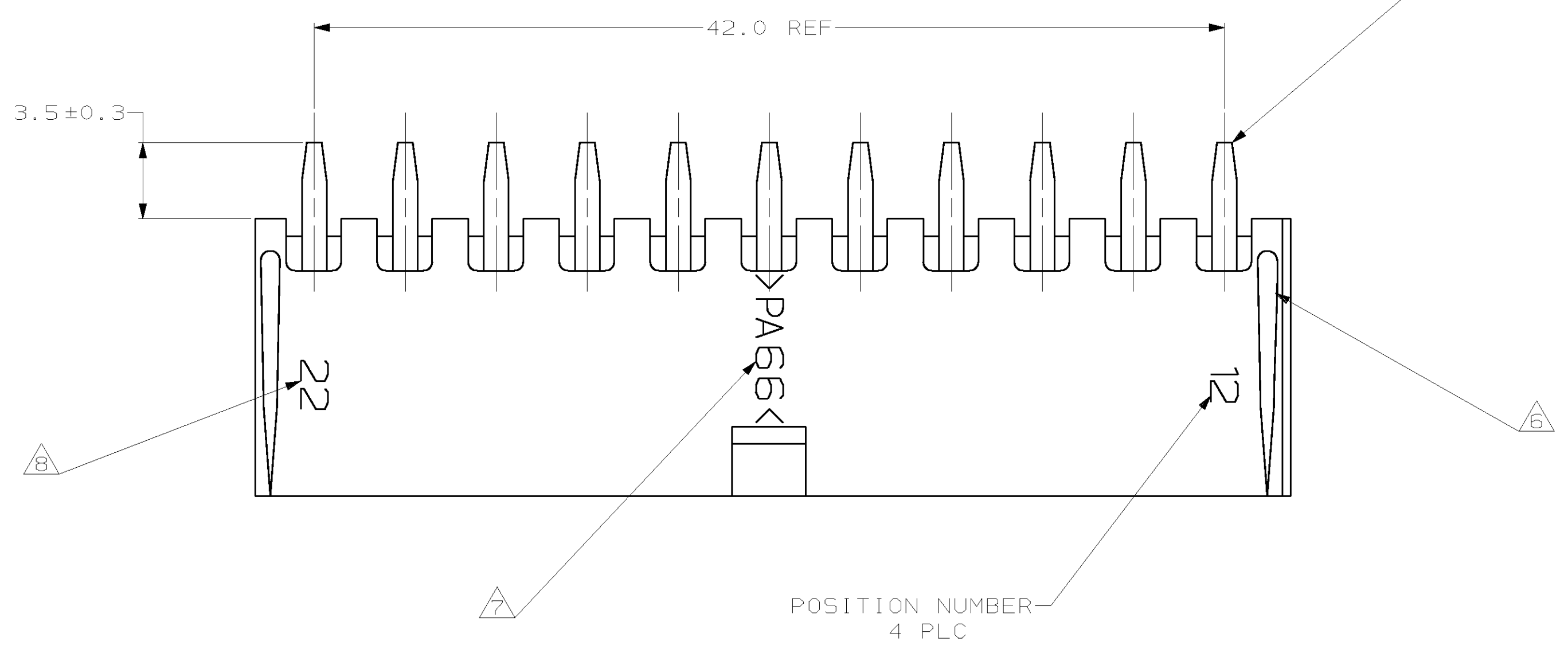
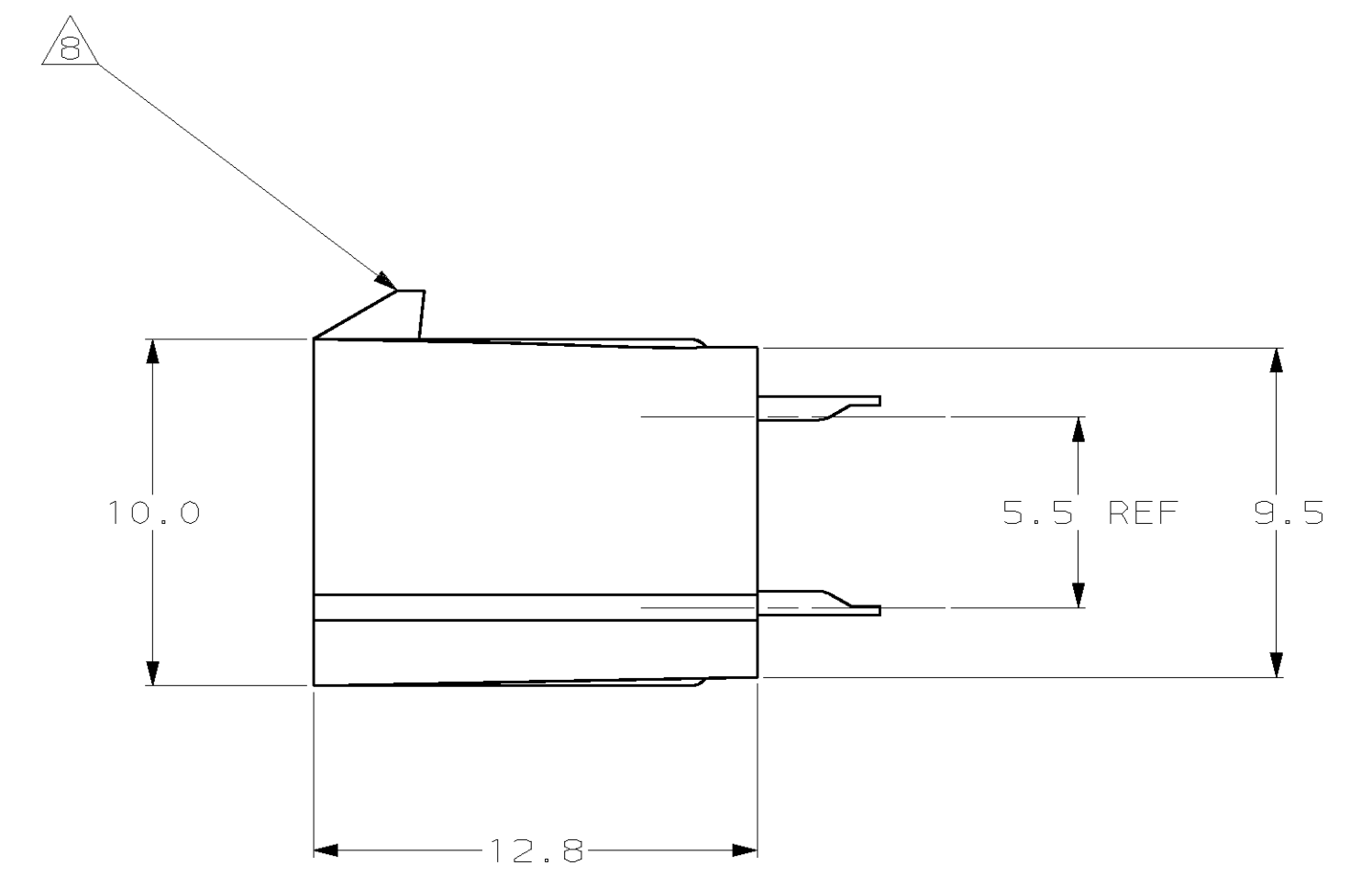
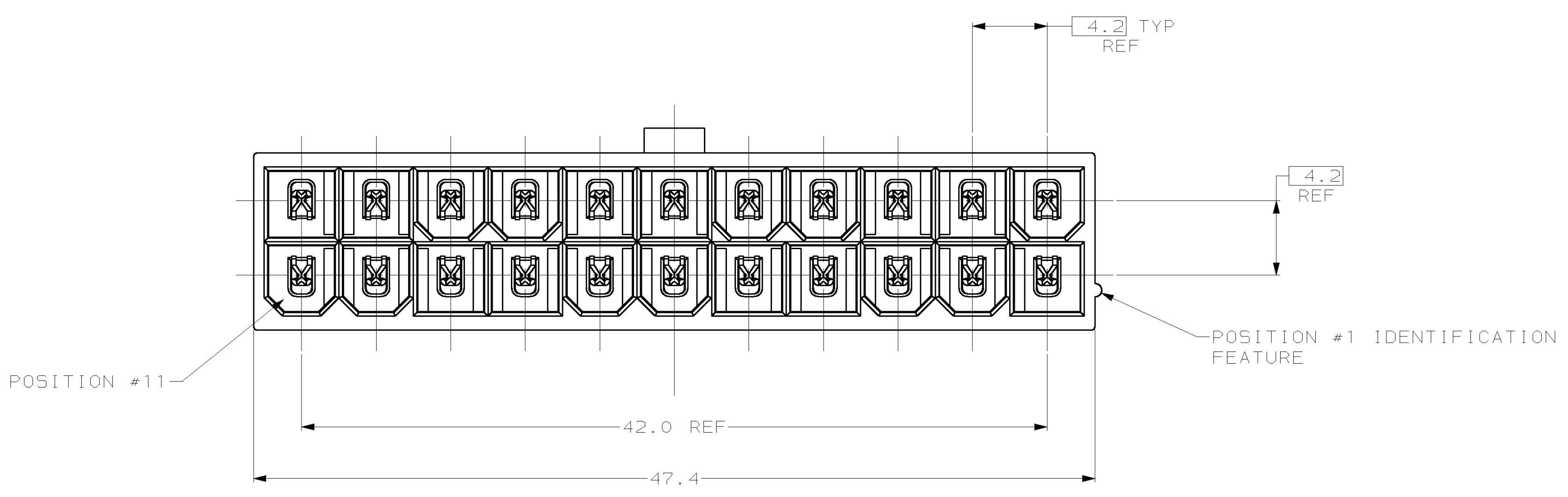


REVISONS		DATE	OWN	APVD
CM	53	19-APR-99	JH	RS
A	REV PER EC	061B-0049-99		

- 1 MATERIAL: HOUSING - NYLON, UL94V-2 (COLOR - NATURAL, COLOR OF PARTS MAY VARY). CONTACTS - 0.25 THK COPPER ALLOY.
- 2 CONTACT FINISH: 0.003 MIN THK TIN-LEAD OVER 0.00127 MIN THK NICKEL OVER ENTIRE CONTACT.
- 3 CONTACT FINISH: 0.00076 MIN THK GOLD PLATE ON PIN MATING SURFACE, 0.003 MIN THK TIN-LEAD PLATE ON SOLDER TAIL, ALL OVER 0.00127 MIN THK NICKEL BASE PLATE.
- 4. SOLDER TAIL MEETS AMP SOLDERABILITY SPECIFICATION 109-11-2.
- 5. MATES WITH SIMILARLY PLATED AMP-DUAC™ POWER CONNECTOR RECEPTACLE HOUSINGS/SOCKET CONTACTS.
- 6 RIBS ON FOUR CORNERS OPTIONAL.
- 7 AMP LOGO AND MATERIAL ID MAY BE LOCATED ON EITHER LONG SIDE OF PART.
- 8 SIZE, SHAPE OR STYLE OF THIS FEATURE MAY VARY.



RECOMMENDED MOUNTING HOLE PATTERN FOR 1.78 MAX THICK P.C. BOARD COMPONENT SIDE SHOWN



1	3	1	1	794359-2
1	2	1	1	794359-1
CONTACT		HOUSING		
MATERIAL	FINISH	MATERIAL	COLOR	PART NO
THIS DRAWING IS A CONTROLLED DOCUMENT.		AMP INCORPORATED		
TOLERANCES UNLESS OTHERWISE SPECIFIED:		HARRISBURG, PA 17105-3608		
DIMENSIONS:	mm	AMP-DUAC™ POWER CONNECTOR		
0 PLC	±	ASSEMBLY, HEADER, VERTICAL, 22 POSITION, W/DRAIN HOLES, 94V-2, AMP-DUAC™ POWER CONNECTOR		
1 PLC	±0.2	108-1699		
2 PLC	±0.13	APPLICATION SPEC		
3 PLC	±	CUSTOMER DRAWING		
4 PLC	±	SCALE 5:1 SHEET 1 OF 1 REV A		
ANGLES	40°/30°	DRAWING NO. 00779 C-794359		
MATERIAL	SEE TABLE	WEIGHT -		
FINISH	SEE TABLE	SIZE CAGE CODE DRAWING NO. A1 00779 C-794359		

