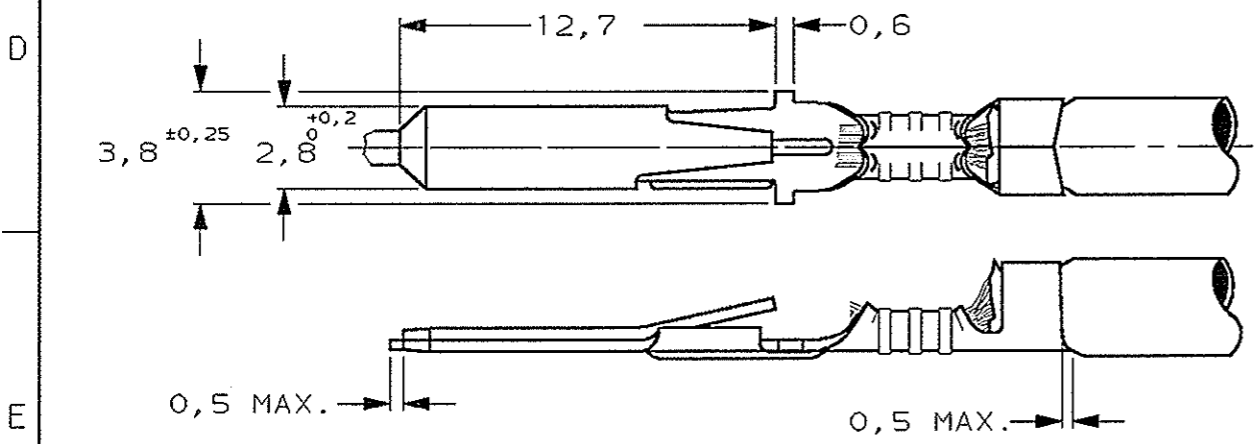
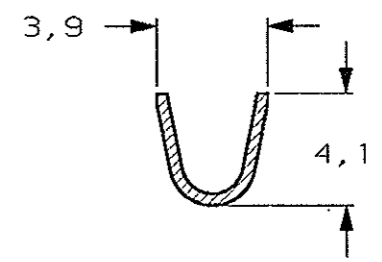
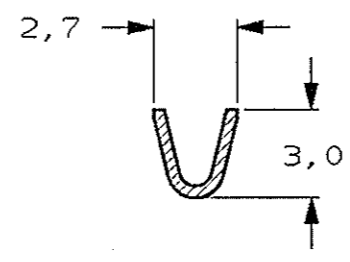


SECTION A-A

SECTION B-B



OBSOLETE

OTTONE PRE STAGNATO (PRE TIN PLATED)	OTTONE (BRASS)	160887-4	K
NUDO (UNPLATED)	OTTONE (BRASS)	160887-3	J
PRE STAGNATO (PRE-TIN PLATED)	BRONZO FOSF. (PHOS. BRONZE)	160887-2	L
NUDO (UNPLATED)	BRONZO FOSF. (PHOS. BRONZE)	160887-1	J
FINITURA / COLORE (FINISH / COLOUR)	MATERIALE (MATERIAL)	NUMERO (P/N)	REV

CUSTOMER DWG. FOR REFERENCE ONLY DISEGNO PER CLIENTE SOLO PER RIFERIMENTO

THIS DRAWING IS UNPUBLISHED RELEASE FOR PUBLICATION 19

© COPYRIGHT 19 BY TE INCORPORATED, HARRISBURG, PA. ALL INTERNATIONAL RIGHT RESERVED. TE PRODUCTS MAY BE COVERED BY U.S. AND FOREIGN PATENT AND/OR PATENT PENDING

TOLLERANZE: SE NON DIVERSAMENTE SPECIFICATO (TOLERANCES, UNLESS OTHERWISE SPECIFIED) ± 0.3

ANGOLI (ANGLES) ± 2°

DIS. H. YAALI (DR.) 16 JULY 2003

CONT. C. TARTARI (CHK) -

APP. (APP.) -

DIAH. ISOLANTE (INS. DIA. RANGE)	RANGO FILO (WIRE RANGE) mm2	SCALA (SCALE)
1.4-2.3	0.5-1.5	4:1



DESCRIZIONE (DESCRIPTION) FASTIN-FASTON® Connector, 2.8 mm series RECEPTACLE CONTACT

LOC.	SIZE	NUMERO (DWG NO)	REV.	FOLIO (SHEET)
I	A3	C-160887	L1	1 DI (OP) 1

L1	ECR-10-022530	KK	02FEB11
L	ECR-06-024596	HY	25 MAR 2009
K	REVISED FOR ECR06-2481	A.V.	15 JUN 2006
J	REVISED & REDRAWN ET00-0128-03	HY	25 JUL 2003
REV. (REV.)	REVISIONI (REVISION RECORD)	DIS. (DR.)	DATA (DATE)

1) STATO DO FORNITURA (SUPPLY CONDITION)



SENDO DI USCITA DEL TERMINALE DALLA BOBINA (DIRECTION OFF TOP OF REEL)

2) SPECIFICA DI PRODOTTO 108-20020. (PRODUCT SPEC. 108-20020).
 SPECIFICA DI AGRAFFATURA 114-20021. (APPLICATION SPEC. 114-20021).