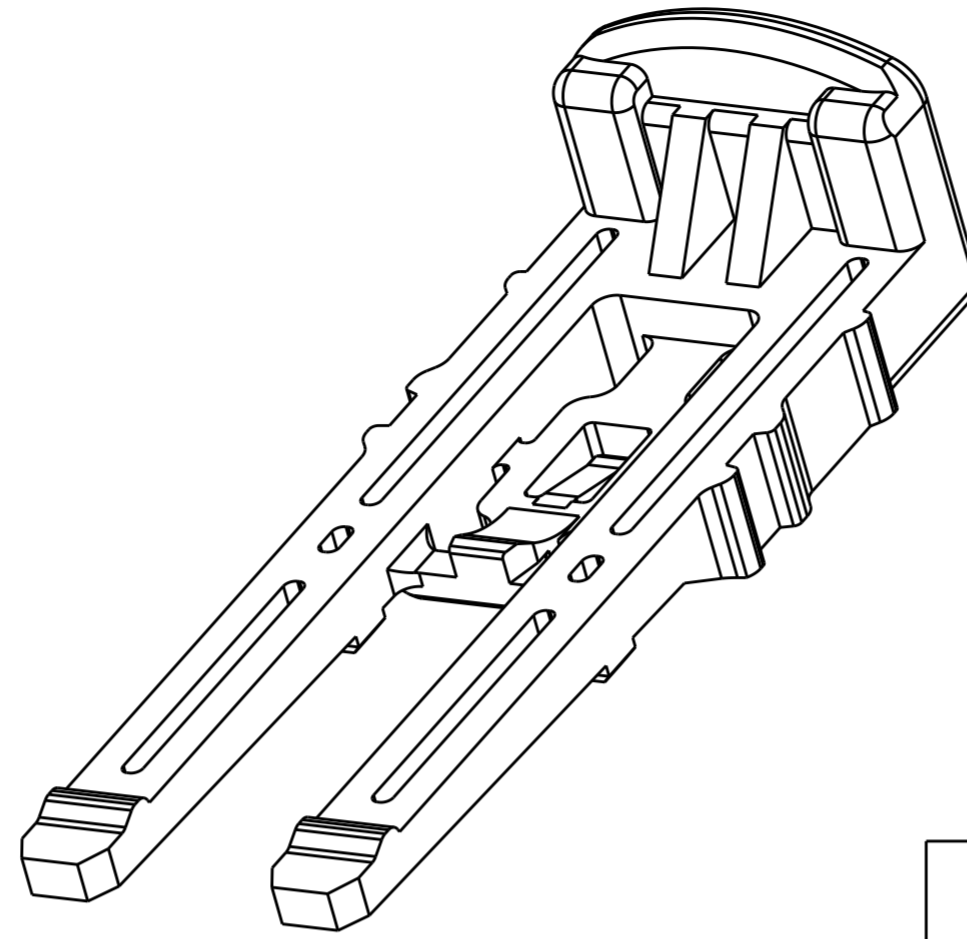
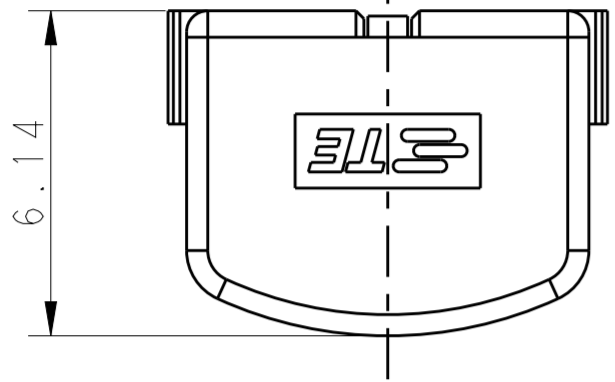


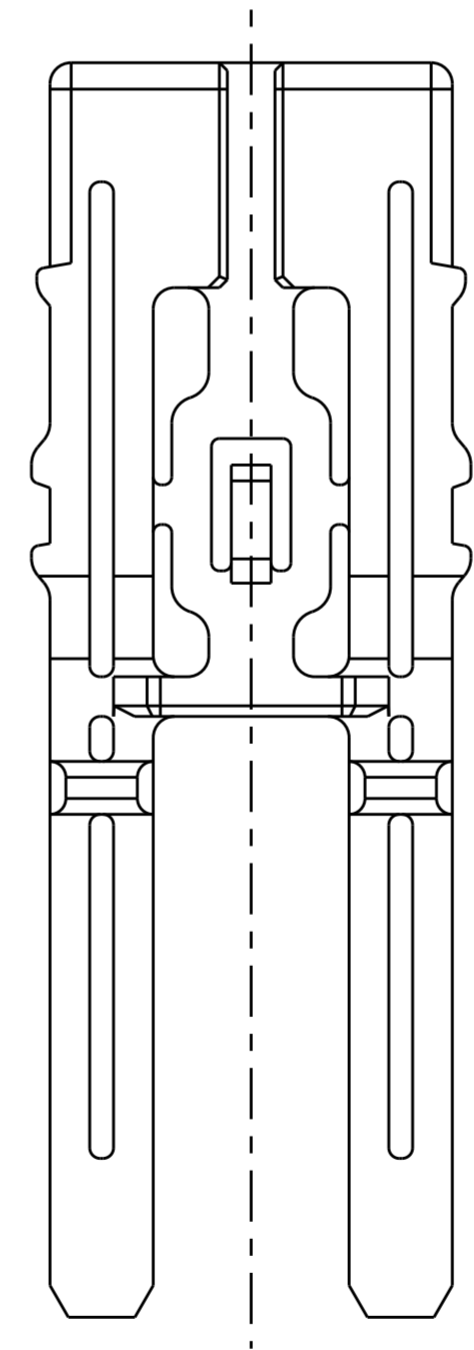
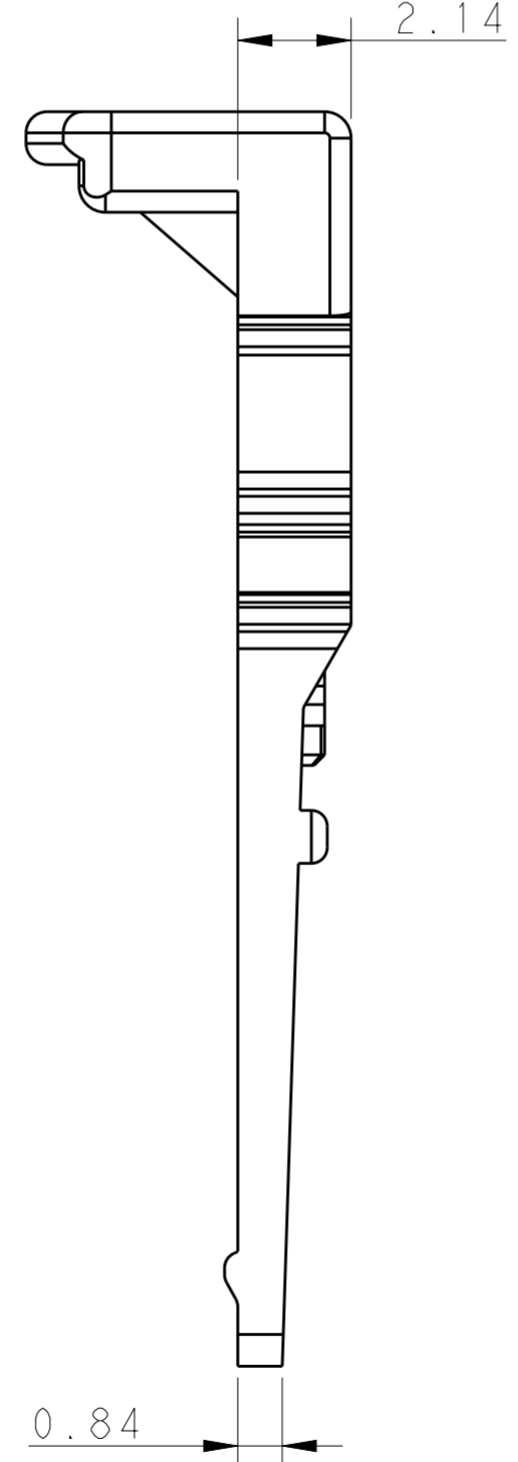
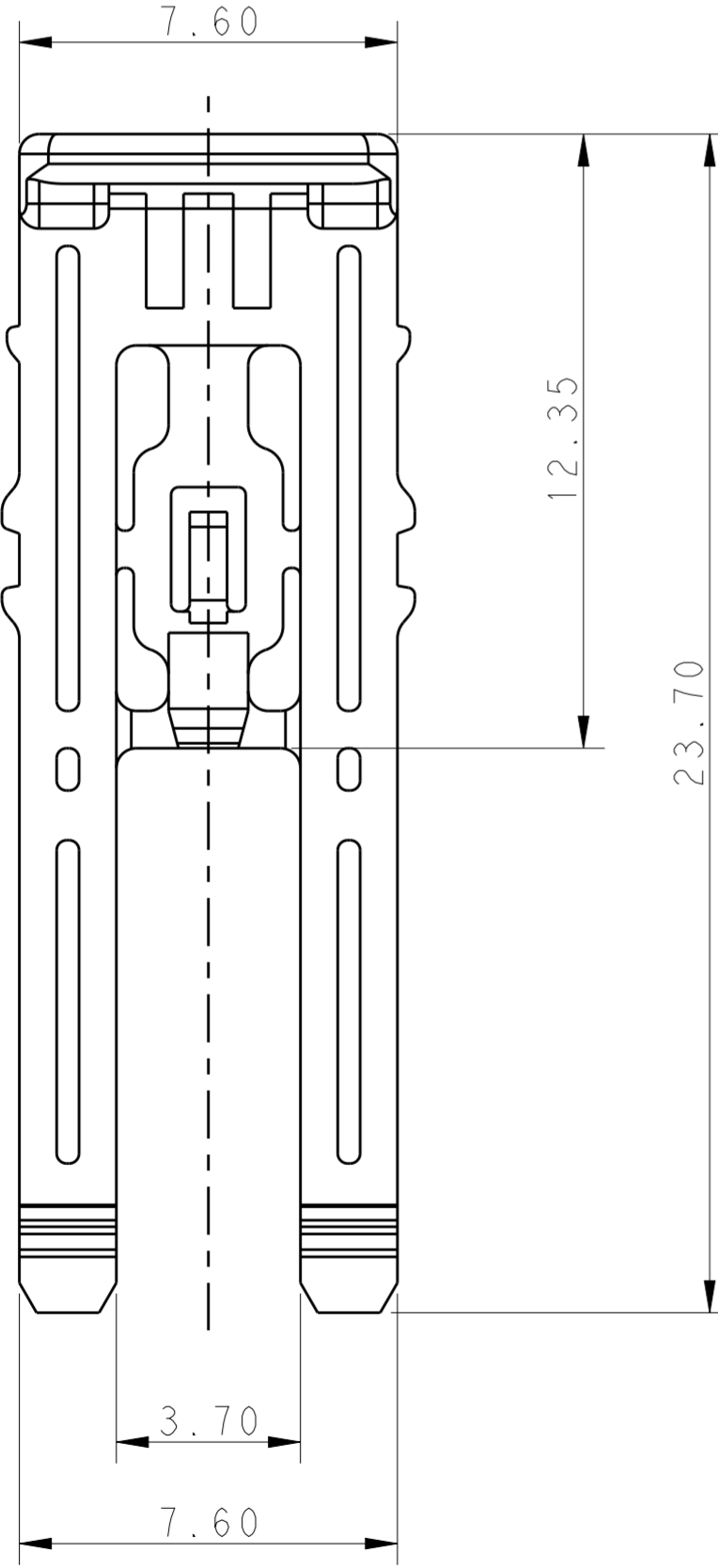
THIS DRAWING IS UNPUBLISHED. RELEASED FOR PUBLICATION 20
 © COPYRIGHT BY ALL RIGHTS RESERVED.

LOC	DIST	REVISIONS					
ES	00	P	LTR	DESCRIPTION	DATE	DWN	APVD
			A1	REVISED PER ECR-15-008657	15NOV2015	NK	GJ



- 1 MATERIAL:
LEVEL 2: NYLON,HIGH TEMPERATURE 150°C
- 2 PRODUCT SPEC:108-106118, 108-106147
- 3 APPLICATION SPEC:114-106118, 114-106147
- 4 APPLICABLE MATED PLUG HOUSING P/N:
-1971773-/*-1971776-*/*-1971876-*/
-2232265-/*-2232266-*/*-2232357-*/*-2232362-*

5 THIS PRODUCT HAS NOT COMPLETED VALIDATION TESTING.



RED	LEVEL 2	1971789-1
COLOR	MATERIAL	P/N

THIS DRAWING IS A CONTROLLED DOCUMENT.		DWN TOMMY WU 11JUL2012
DIMENSIONS: mm		CHK HAPYE WU 11JUL2012
TOLERANCES UNLESS OTHERWISE SPECIFIED:		APVD YUHONG MAO 11JUL2012
0 PLC	±	NAME
1 PLC	±0.35	CONNECTOR POSITION ASSURANCE(CPA)
2 PLC	±0.25	POWER TRIPLE LOCK
3 PLC	±	SIZE
4 PLC	±	CAGE CODE
ANGLES	±	DRAWING NO
FINISH	±	RESTRICTED TO
MATERIAL		A2100779C-1971789
		Customer Drawing
		SCALE - SHEET 1 OF 1 REV A1

STE TE Connectivity

CONNECTOR POSITION ASSURANCE(CPA)
POWER TRIPLE LOCK

Customer Drawing

SCALE - SHEET 1 OF 1 REV A1