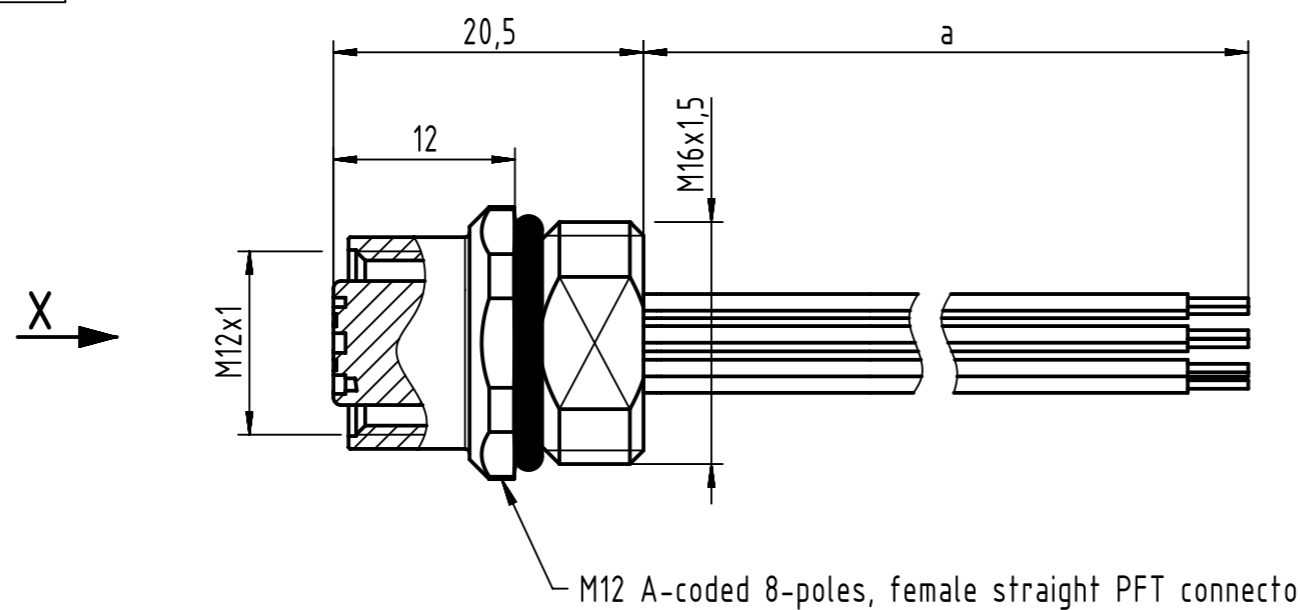
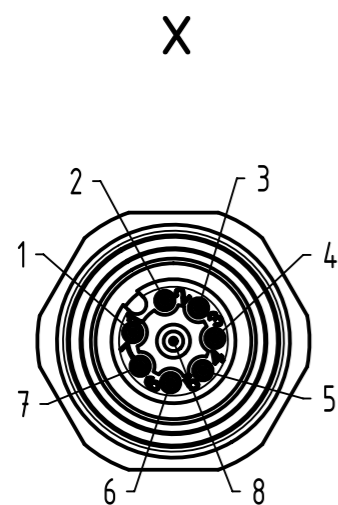


Connector Location A

Connector Location B



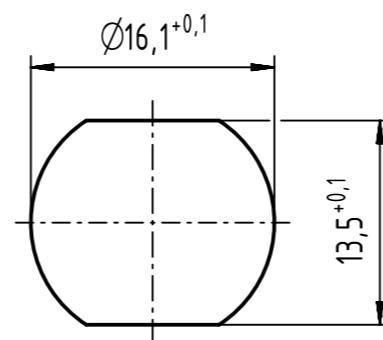
M12 A-coded 8-poles, female straight PFT connector



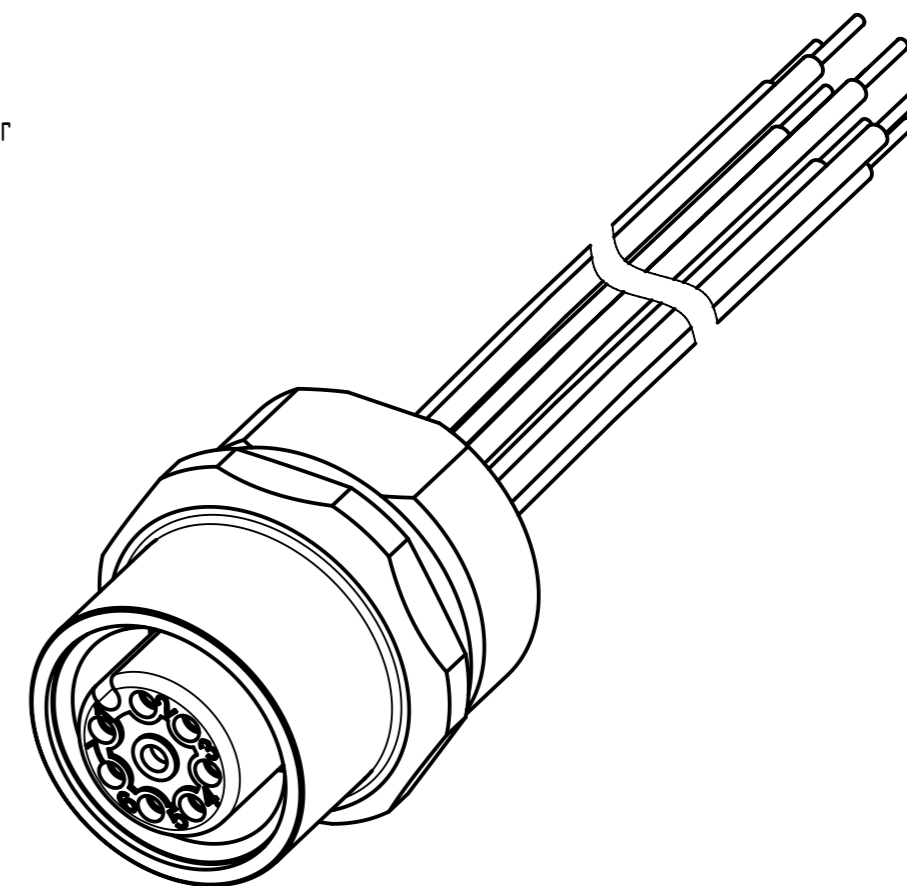
Loading plan:

- 1 — white
- 2 — brown
- 3 — green
- 4 — yellow
- 5 — grey
- 6 — pink
- 7 — blue
- 8 — red

Recommended panel cut-out



minimum wall thickness 1.5mm



- Protection level: IP 65/67
- Temperature range: -30°C ... +80°C
- Order lock nut separately

2	21033176810	AWG 24, PVC	1.0
1	21033176805		0.5
Cont. No.	Part - no.	Type of cable	Dim. a[m]

	All rights reserved		Tech. Character.		Free size tol.		According to production drawing	
	Department EC PD - RO		Created by TAMAS	Inspected by AVRAM	Standardisation SCHREIER	Date 2017-07-28	State Final Release	
HARTING Electronics GmbH D-32339 Espelkamp		Title M12 A-coded Cable Assembly			Doc-Key / ECM-Nr. 100581423/UGD/009/E 500000122985		Rev. E Page 1/1	
		Type TB	Number 210331768XX					