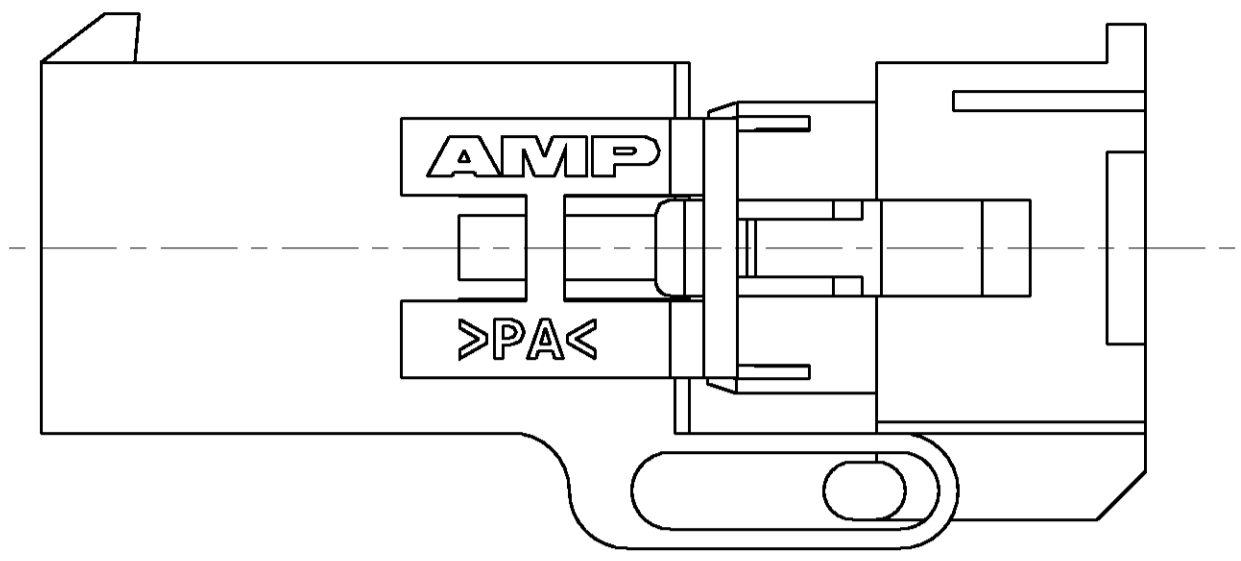
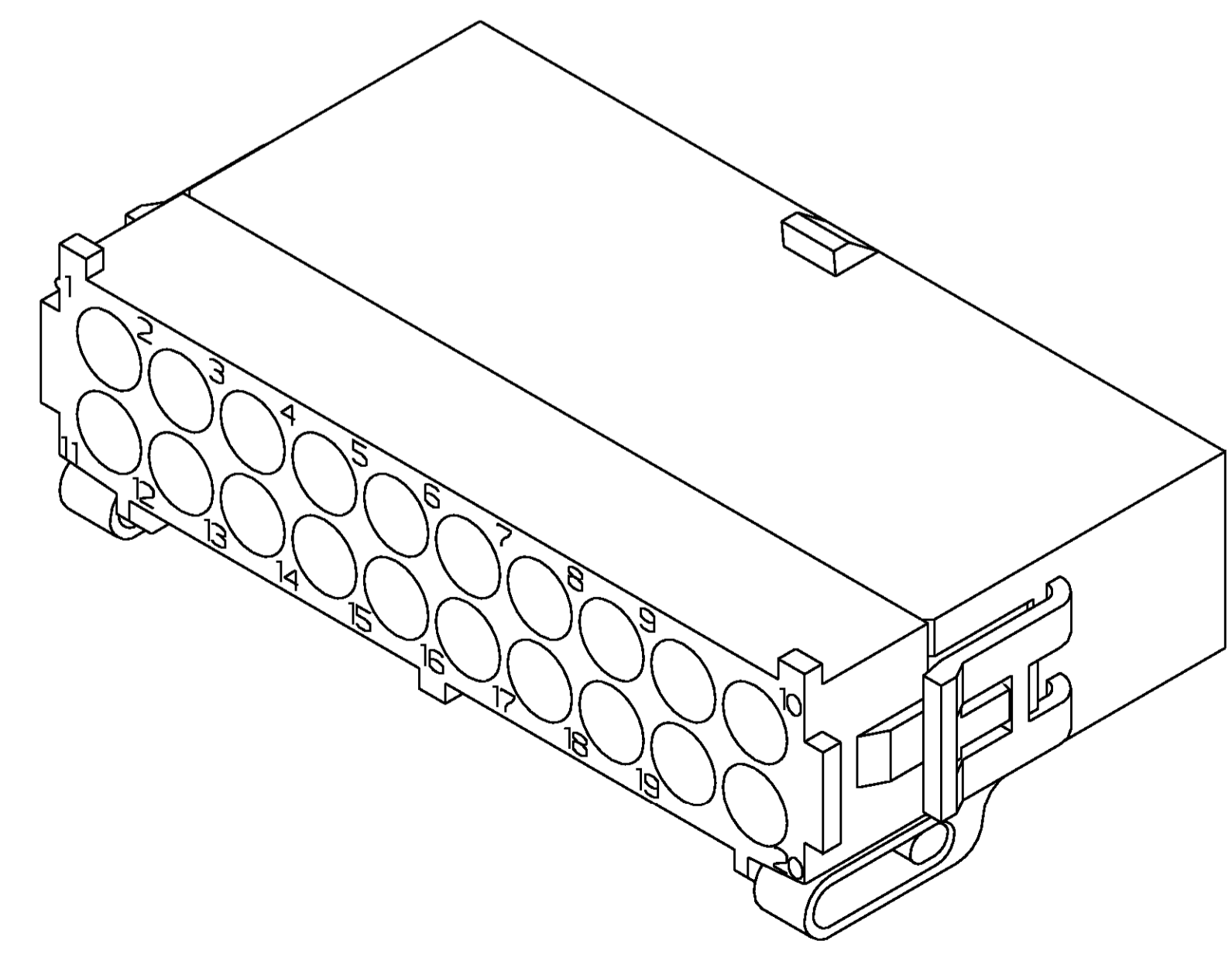
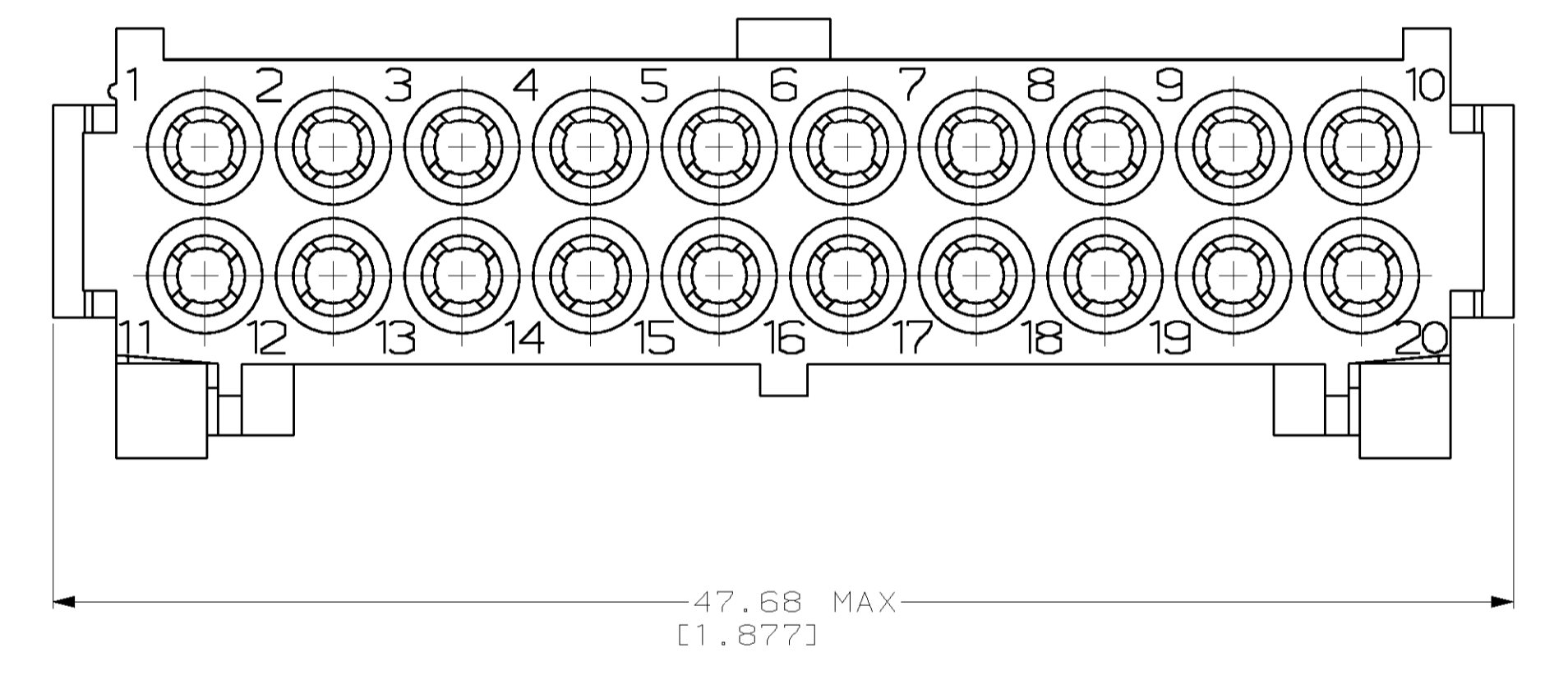
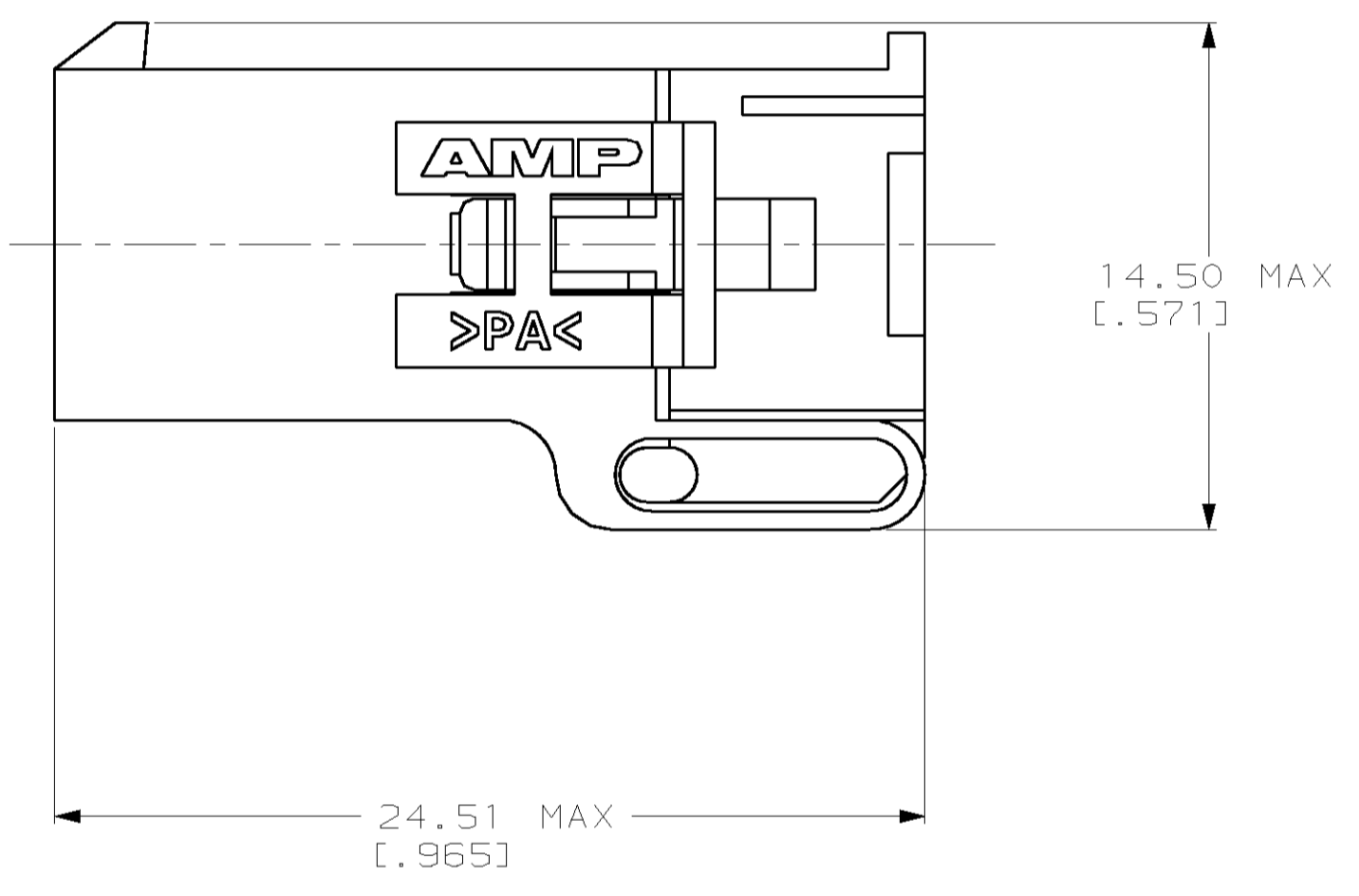
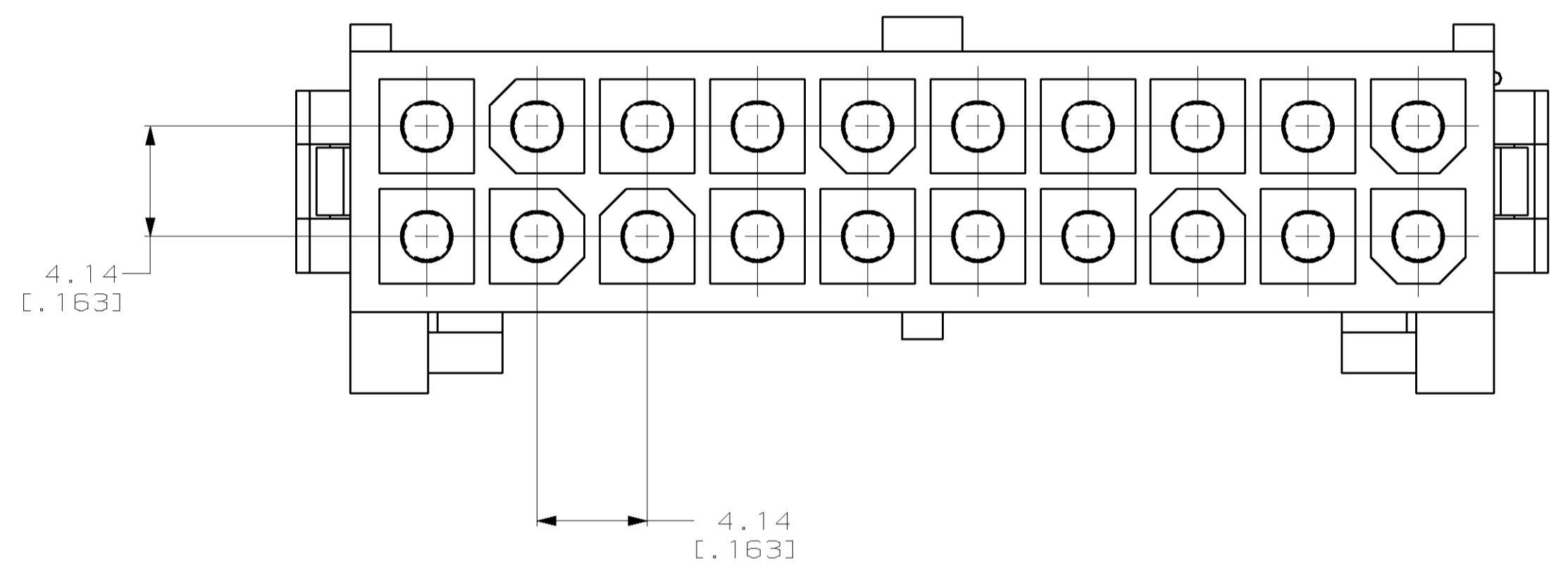


LOC		DIST		REVISIONS			
F	CHR	DATE	BY	APPROV	REV	PER	EC
B		23-SEP-99	KW	KC	1		



PRE-STAGED CONDITION

1. DIMENSIONS IN BRACKETS ARE IN INCHES.



3-DIMENSIONAL MODEL
NTS

794264-1
PART NUMBER



THIS DRAWING IS A CONTROLLED DOCUMENT.		DWN K. WHITAKER 5-20-97	AMP AMP Incorporated Harrisburg, PA 17105-3608
DIMENSIONS: mm		CHK R. SWING 5-20-97	
TOLERANCES UNLESS OTHERWISE SPECIFIED:		APPROV S. ORSTAD 5-20-97	NAME CAP, 20 CIRCUIT, MINI UNIVERSAL MATE-N-LOK™ 2
0 PLC ±	1 PLC ±	PRODUCT SPEC	SIZE A1
2 PLC ±	3 PLC ±0.13 (0.005)	APPLICATION SPEC	CAGE CODE 00779
4 PLC ±	ANGLES ±	FINISH	DRAWING NO 794264
MATERIAL NYLON, UL 94V-2,NATURAL	FINISH	WEIGHT	RESTRICTED TO
CUSTOMER DRAWING		SCALE 5:1	SHEET 1 OF 1