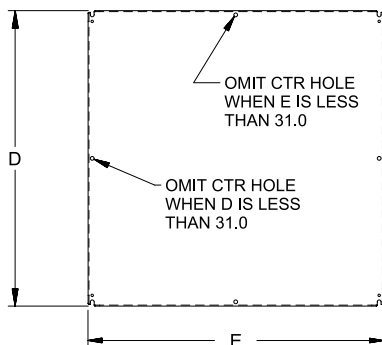


Eclipse Series - NEMA 4, 12

Accessories

 Industrial Enclosures
 Wallmount Enclosures


Eclipse Inner Panel

- Larger than standard NEMA panel used in same sized enclosure.
- 12 gauge steel construction (see chart, below).
- Larger sizes have 2 or 4 formed flanges for added strength.
- Slotted corner design for easier mounting.
- Finished in white or unpainted galvanized.

Mild Steel Part No.	Galvanized Part No.	Size		
		D	E	Gauge
EP1212	EPG1212	10.2	10.2	12
EP1224	EPG1224	10.2	22.2	12
EP1612	EPG1612	14.2	10.2	12
EP1616	EPG1616	14.2	14.2	12
EP1620	EPG1620	14.2	18.2	12
EP2012	EPG2012	18.2	10.2	12
EP2016	EPG2016	18.2	14.2	12
EP2020	EPG2020	18.2	18.2	12
EP2024	EPG2024	18.2	22.2	12
EP2412	EPG2412	22.2	10.2	12
EP2416	EPG2416	22.2	14.2	12
EP2420	EPG2420	22.2	18.2	12
EP2424	EPG2424	22.2	22.2	12
EP2430	EPG2430	22.2	28.2	12
EP2442	EPG2442	22.2	40.2	12
EP2448	EPG2448	22.2	46.2	12
EP3012	EPG3012	28.2	10.2	12
EP3016	EPG3016	28.2	14.2	12
EP3020	EPG3020	28.2	18.2	12
EP3024	EPG3024	28.2	22.2	12

Mild Steel Part No.	Galvanized Part No.	Size		
		D	E	Gauge
EP3030	EPG3030	28.2	28.2	12
EP3036	EPG3036	28.2	34.2	12
EP3042	EPG3042	28.2	40.2	12
EP3048	EPG3048	28.2	46.2	12
EP3060	EPG3060	28.2	58.2	12
EP3624	EPG3624	34.2	22.2	12
EP3630	EPG3630	34.2	28.2	12
EP3636	EPG3636	34.2	34.2	12
EP3642	EPG3642	34.2	40.2	12
EP3648	EPG3648	34.2	46.2	12
EP3660	EPG3660	34.2	58.2	12
EP4224	EPG4224	40.2	22.2	12
EP4230	EPG4230	40.2	28.2	12
EP4236	EPG4236	40.2	34.2	12
EP4824	EPG4824	46.2	22.2	12
EP4830	EPG4830	46.2	28.2	12
EP4836	EPG4836	46.2	34.2	12
EP6036	EPG6036	58.2	34.2	12
EP7230	EPG7230	70.2	28.2	12
EP7236	EPG7236	70.2	34.2	12



Eclipse Swing Panel

- Hinged panel allows access to internally mounted equipment.
- 12 gauge steel construction.
- Slotted quarter turn latches provide closure.
- Adding optional locking quarter turn latches (Part Number EQTRL...see page 30) convert this to a dead front panel.
- Complete with 4-6" depth adjustment channels.
- Hardware kit maintains UL, CSA and NEMA ratings when field installed.
- Finished in white.



Part No.	Fits Enclosure Size (A x B)
ESP1212	12 x 12
ESP1612	16 x 12
ESP1616	16 x 16
ESP2016	20 x 16
ESP2416	24 x 16
ESP1620	16 x 20

Part No.	Fits Enclosure Size (A x B)
ESP2020	20 x 20
ESP2420	24 x 20
ESP3020	30 x 20
ESP2024	20 x 24
ESP2424	24 x 24
ESP3024	30 x 24

Part No.	Fits Enclosure Size (A x B)
ESP3624	36 x 24
ESP3030	30 x 30
ESP3630	36 x 30
ESP3636	36 x 36



Eclipse Replacement Hinge Pins

- These are supplied with enclosure but offered here as replacements should originals be misplaced.
- Packaged in quantities of 5.

Part No.	Material
EPINSS	Stainless steel hinge pin

Eclipse Series - NEMA 4, 12 Accessories



Eclipse Swing Frame

- Provides 19" rack mounting with full EIA spacing (punched holes).
- Hinges allow easy equipment access.
- Slotted quarter turn latches provide closure.
- Adding optional locking quarter turn latches (**EQTRL**...see page 30) provides added security.
- Complete with 4-6" depth adjustment channels.

- Order package of 25 clip nuts separately (Part No. 1421N25...see page 430).
- Hardware kit maintains UL, CSA and NEMA ratings when field installed.
- Finished in black.

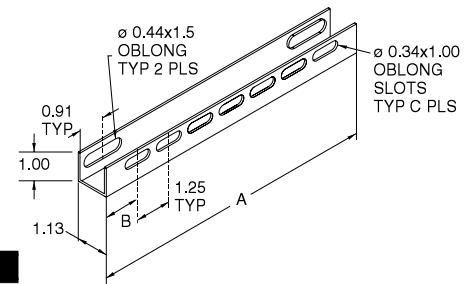


Part No.	Fits Enclosure	Rack Spacing	
	Size (A x B)	Width	Height (Units)
ESF2424	24 x 24	19	11
ESF3024	30 x 24	19	14
ESF3624	36 x 24	19	17



DIN Rail Mounting Kit

- Field installable.
- Mounts directly to panel collar studs (panel not required).
- Accepts optional DIN rails, see below.
- DIN rails available separately.
- Zinc plated, yellow dichromate.

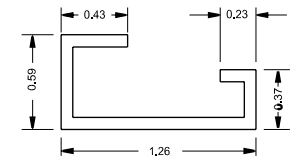


Part No.	A	B	C
2DMK12	10	1.25	7
2DMK16	14	0.75	11
2DMK20	18	0.88	14
2DMK24	22	1.00	17
2DMK30	28	0.88	22

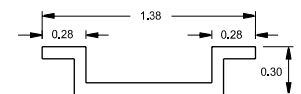


DIN Rails

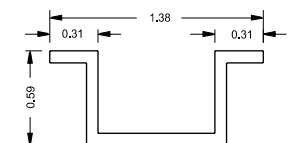
- Field installable.
- Includes a set of 3 plated rails.
- Available in 3 industry standard profiles - DIN 1, DIN 3, and CENELEC.
- DIN rail mounting kit required for installation (see above).
- Rails have a 0.28 x 1.25 oblong slot on each end.
- Zinc plated.



Asymmetric DIN 1 Pro



Symmetric DIN 3 Pro



CENELEC Pro

Asymmetric Din 1 Profile Part No.	Symmetric Din 3 Profile Part No.	Cenelec Profile Part No.	Length
2D1K12	2D2K12	2DCK12	9.25
2D1K16	2D2K16	2DCK16	13.25
2D1K20	2D2K20	2DCK20	17.25
2D1K24	2D2K24	2DCK24	21.25
2D1K30	2D2K30	2DCK30	27.25

For sizing, refer to master selection table...see page 20-21

Technical references and DXF downloads available at www.hamcfg.com

All dimensions in inches unless specified otherwise

Quality Enclosures. Service Excellence.

Eclipse Series- NEMA 4, 12

Accessories

Quarter Turn Inserts and Keys



- Field installable inserts replace standard quarter turn slot.
- Available in 7mm square and triangle formats, as well as slotted.
- Square and triangle inserts provide extra security since standard screw drivers cannot open.
- Keys sold separately from inserts.
- Maintains NEMA, UL and CSA 12, 4 and 4X ratings.

Part No.	Description
2SQI7	7mm square insert, black
2SQK7	7mm square key, fits 2SQI7
2TRI7	7mm triangle insert, black
2TRK7	7mm triangle key, fits 2TRI7
2SLI	Slotted insert, black

Replacement Quarter Turn Assemblies



- Field installable.
- Interchangeable with standard quarter turn latches.
- Maintains NEMA, UL and CSA ratings as noted.

Part No.	Description	Material	NEMA Rating
EQTRL¹	Locking Qtr Turn	Zinc Die/Chrome	n/a (internal use only)
2QTR	Slotted Qtr Turn	Zinc Die/Black	12, 4
2SSQTR	Slotted Qtr Turn	Stainless steel	12, 4, 4X
2WKL	Wing knob lock	Zinc Die/Black	12, 4
2QPL	Padlockable quarter turn latch	Zinc Die/Black	12, 4

¹ For use with Swing Frame/Panel...see page 28. All others for use with enclosures.

Handles



- Field installable.
- Interchangeable with standard quarter turn latches.
- Maintain NEMA, UL and CSA ratings as noted.

Part No.	Description	Material	NEMA Rating
EHTL	Locking T Handle	Zinc Die/Black	12, 4
EHL	Locking L Handle	Zinc Die/Black	12, 4
EHLPL	Padlockable L Handle	Zinc Die/Black	12
EHLPLSS	Padlockable L Handle	Stainless Steel	12, 4, 4X
EHLNLSS	Non Locking L Handle	Stainless Steel	12, 4, 4X

Eclipse Mounting Foot Kit



- Maintains UL, CSA and NEMA ratings.
- Field installable.
- Pilot sits squarely into enclosure mounting holes for horizontal or vertical positioning.
- Available in plated black and stainless steel.
- Packaged in quantities of four.

Part No.	Material
EZPMF	Mild Steel
ESSMF	Type 304 Stainless
ES16MF	Type 316 Stainless

