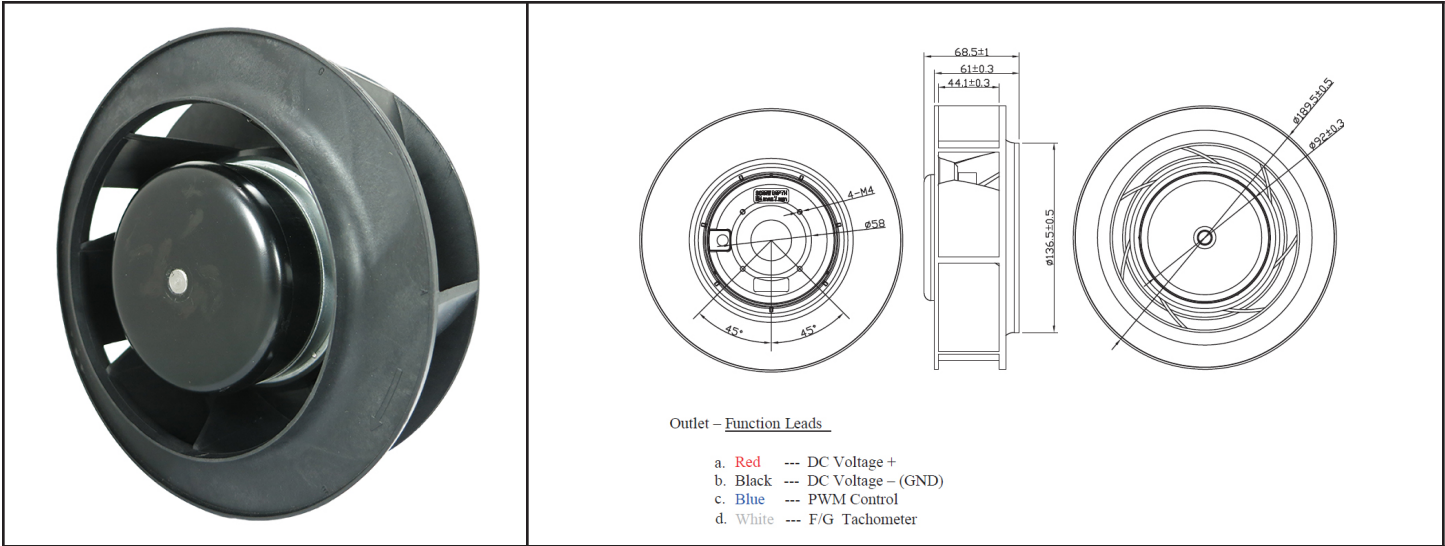


ODB19069-24HB10A



DC Motorized Impeller 24V 190x69mm (7.5"x2.70")



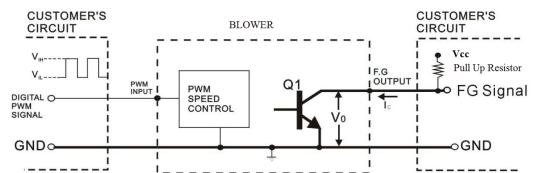
Outlet - Function Leads

- a. Red --- DC Voltage +
- b. Black --- DC Voltage - (GND)
- c. Blue --- PWM Control
- d. White --- F/G Tachometer

Frame & Impeller	Frame - Diecast aluminum Impeller - UL94V-0 Thermoplastic	Features: Signal Output: Tachometer Speed Control: PWM Weight: ~ 1300g (2.87 lbs) m0	
Conneccion	4 Lead wires *		
Motor	DC brushless, IC protected		
Bearing System	Dual ball bearing		
Insulation Resistance	Min. 10M at 500VDC		
Dielectric Strength	1 minute at 500 VAC, max leakage < 500 MicroAmp		
Temperature Range	-10C ~ +65C		
Storage Temperature	-40C ~ +80C		
Life (L10)	-40,000 hours (40C)		

Part Number	ODB19069-24HB10A
Nominal Voltage	24VDC
Voltage Range	16 ~ 28 VDC
Nominal Current	4.5 A
Rated Power	108 W
Rated Speed (RPM)	3200
Airflow (CFM)	395
Noise Level (dB)	70
Max. Static Pressure	1.97" H ₂ O

(External signal function design is decided by customer)

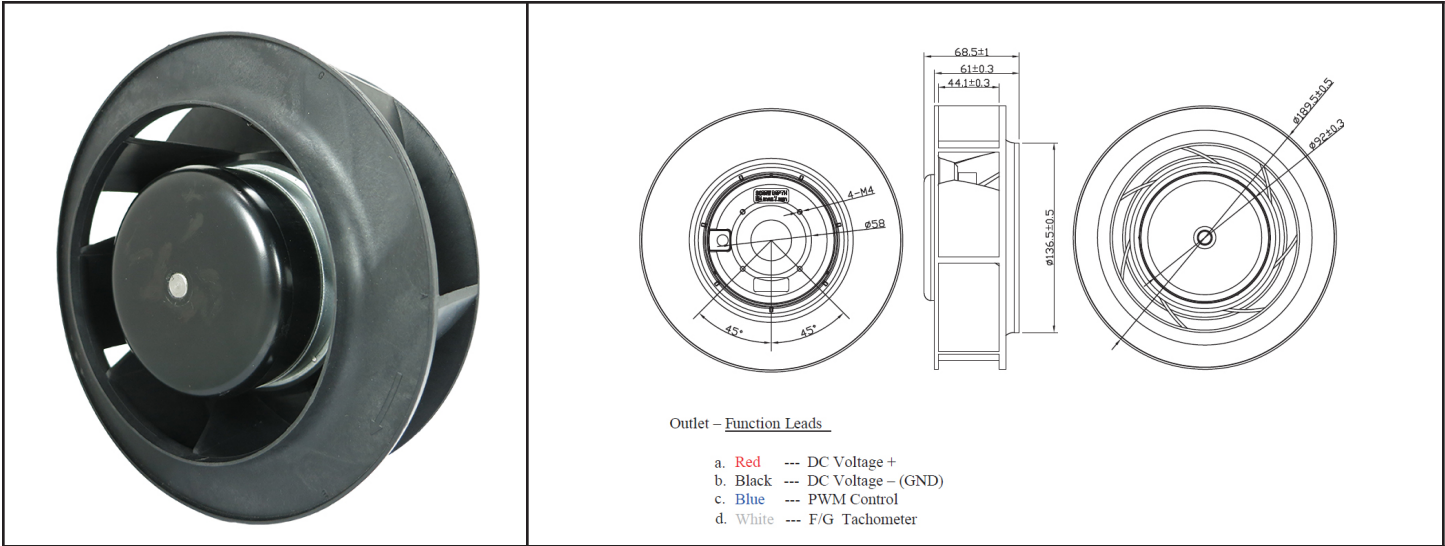


- * FG 2 pulses per revolution
 - * TRANSISTOR Q1 AT "ON" POSITION
 COLLECTOR CURRENT: $I_c = 10\text{mA MAX}$
 SATURATION VOLTAGE: $V_{ce} = 1\text{V MAX}$
 - * TRANSISTOR Q1 AT "OFF" POSITION
 RELEASE VOLTAGE: $V_{on} = V_{cc\text{ Max}}$
 - * DIGITAL PWM SPEED CONTROL POSITION
 PWM INPUT VOLTAGE HIGH: $V_{in} > 2.6\text{V}$
 PWM INPUT VOLTAGE LOW: $V_{in} < 0.5\text{V}$
 - * PWM INPUT FREQUENCY: $FPWM: 100\text{Hz} - 100\text{kHz}$
- Blower will run full speed at 100%, stop at 0%, full speed if PWM not connected

ODB19069-48HB10A

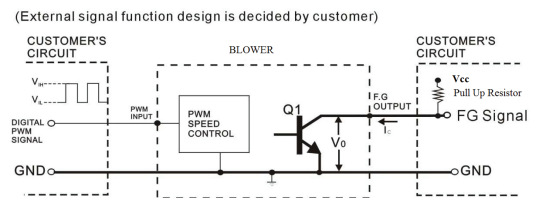


DC Motorized Impeller 48V 190x69mm (7.5"x2.70")



Frame & Impeller	Frame - Diecast aluminum Impeller - UL94V-0 Thermoplastic	Features: Signal Output: Tachometer Speed Control: PWM Weight: ~ 1300g (2.87 lbs)	
Conexion	4 Lead wires *		
Motor	DC brushless, IC protected		
Bearing System	Dual ball bearing		
Insulation Resistance	Min. 10M at 500VDC		
Dielectric Strength	1 minute at 500 VAC, max leakage < 500 MicroAmp		
Temperature Range	-10C ~ +65C		
Storage Temperature	-40C ~ +80C		
Life (L10)	-40,000 hours (40C)	m0	

Part Number	ODB19069-48HB10A
Nominal Voltage	48VDC
Voltage Range	36 ~ 56 VDC
Nominal Current	2.55 A
Rated Power	122.4 W
Rated Speed (RPM)	3500
Airflow (CFM)	432
Noise Level (dB)	73
Max. Static Pressure	2.0" H ₂ O



- * FG 2 pulses per revolution
 - * TRANSISTOR Q1 AT "ON" POSITION
 COLLECTOR CURRENT: $I_c = 10\text{mA MAX}$
 SATURATION VOLTAGE: $V_{ce} = 1\text{V MAX}$
 - * TRANSISTOR Q1 AT "OFF" POSITION
 RELEASE VOLTAGE: $V_{on} = V_{cc\text{ Max}}$
 - * DIGITAL PWM SPEED CONTROL POSITION
 PWM INPUT VOLTAGE HIGH: $V_{ih} > 2.6\text{V}$
 PWM INPUT VOLTAGE LOW: $V_{il} < 0.5\text{V}$
 - * PWM INPUT FREQUENCY: $FPWM: 100\text{Hz} - 100\text{kHz}$
- Blower will run full speed at 100%, stop at 0%, full speed if PWM not connected