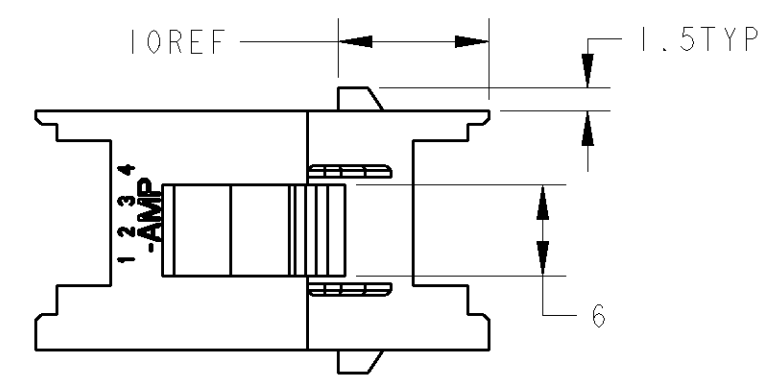
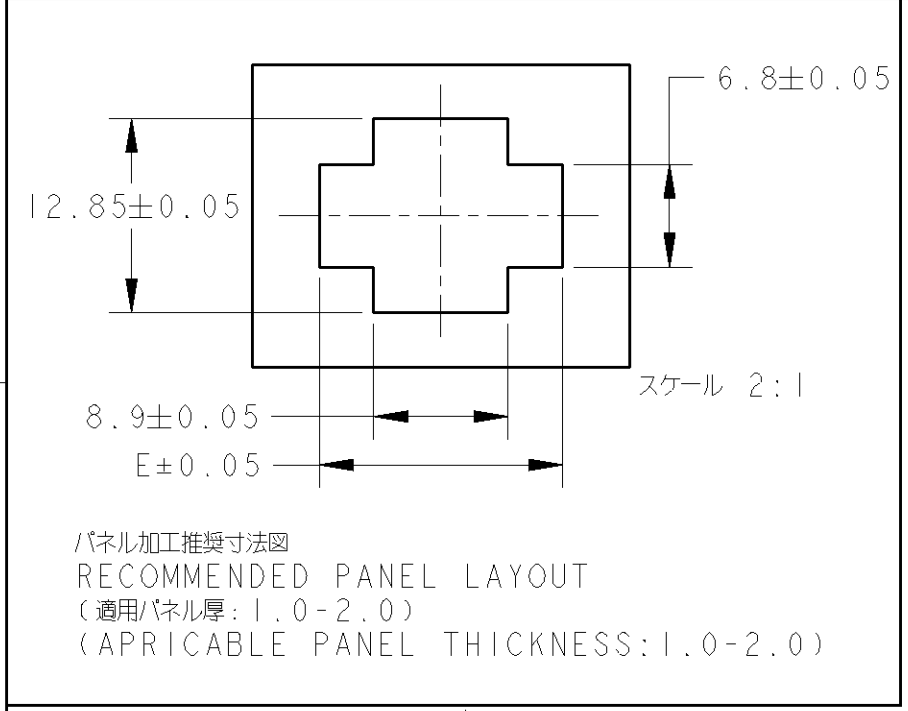
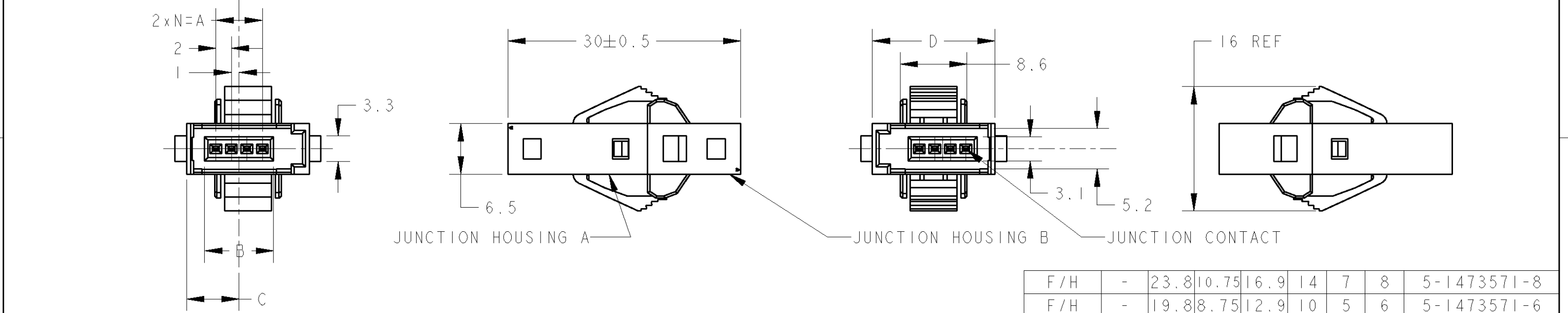


THIS DRAWING IS UNPUBLISHED. RELEASED FOR PUBLICATION 20
 © COPYRIGHT 20 BY TYCO ELECTRONICS CORPORATION. ALL RIGHTS RESERVED.

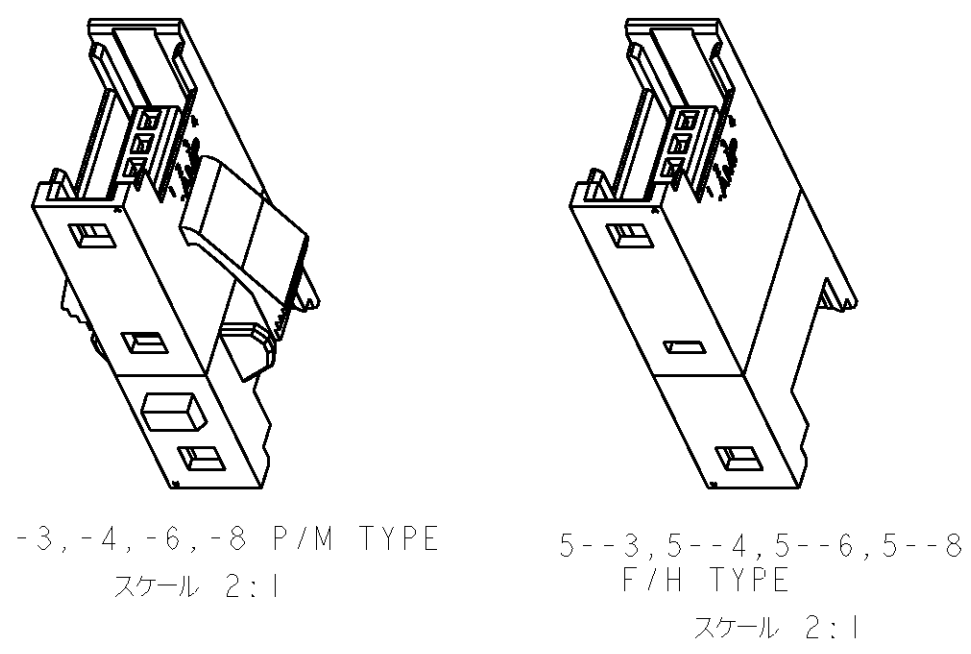
LOC	DIST	REVISIONS						
		P	LTR	DESCRIPTION	DATE	DWN	APVD	
J	-	0		RELEASED	FJ00-1726-01	10SEP2001	D.M	S.M
		A		ADD P/N	FJ00-1227-02	10MAY2002	D.M	S.M



注記
 1: 材料: ハウジング: ガラス入り熱可塑性ポリエステル樹脂, 94V-0, 黒
 コンタクト: 銅合金
 2: メッキ: コンタクト: 全面Ni下地
 接点部: 0.2µm MIN 金メッキ
 3: 金属パネルの場合、コネクタ取付方向をパンチ加工方向にしてください。
 4: プラスチックパネルの場合、穴端部にR無き様ご配慮ください。
 NOTE
 1: MATERIAL. HOUSING: GLASS FILLED THERMOPLASTIC, 94V-0, BLACK
 CONTACT: CUPPER ALLOY
 2: FINISH. UNDERPLATE: Ni 1.27µm min
 CONTACT AREA: Au 0.2µm min.
 3: INSERT CONN. FROM PRESS DIRECTION SIDE FOR METAL PANEL.
 4: EDGE OF THICKNESS WAY MUST NOT ROUND FOR MOLDED PANEL.



F/H	-	23.8	10.75	16.9	14	7	8	5-1473571-8
F/H	-	19.8	8.75	12.9	10	5	6	5-1473571-6
F/H	-	15.8	6.75	8.9	6	3	4	5-1473571-4
F/H	-	13.8	5.75	6.9	4	2	3	5-1473571-3
P/M	24.1	23.8	10.75	16.9	14	7	8	1473571-8
P/M	20.1	19.8	8.75	12.9	10	5	6	1473571-6
P/M	16.1	15.8	6.75	8.9	6	3	4	1473571-4
P/M	14.1	13.8	5.75	6.9	4	2	3	1473571-3
TYPE	E	D	C	B	A	N	POS	P/N



THIS DRAWING IS A CONTROLLED DOCUMENT FOR TYCO ELECTRONICS CORPORATION
 IT IS SUBJECT TO CHANGE AND THE CONTROLLING ENGINEERING ORGANIZATION
 SHOULD BE CONTACTED FOR THE LATEST REVISION.

DIMENSIONS: 単位: 概 mm	TOLERANCES UNLESS OTHERWISE SPECIFIED: 0 PLC ± 1 PLC ±0.2 2 PLC ± 3 PLC ±3° 4 PLC ± ANGLES ±	DWN 10SEP2001 D. MITSUGI	Tyco Electronics AMP K.K. Kawasaki, Japan
MATERIAL 材料	FINISH 仕上	CHK 10SEP2001 S. MANABE	
		APVD 10SEP2001 S. MANABE	NAME 名称
CUSTOMER DRAWING		PRODUCT SPEC 製品規格 108-5765	JUNCTION BOX (2D) FOR E-CON - RITS CONN. -
SCALE 尺度 2:1		APPLICATION SPEC 取付適用規格	SIZE A3
SHEET 1 OF 1		WEIGHT -	DRAWING NO 番号 C-1473571
REV A		RESTRICTED TO	