

NOTES:

1. MATERIALS AND FINISHES:

BODY - BRASS , GOLD PLATING  
 CONTACT - BRASS , GOLD PLATING  
 INSULATOR - PEEK , NATURAL

2. ELECTRICAL:

- A. IMPEDANCE: 50 OHM
- B. FREQUENCY RANGE: DC-10 GHz
- C. INSULATION RESISTANCE: 5 GOHM MIN.
- D. DIELECTRIC WITHSTANDING VOLTAGE: 1000 VRMS MIN.

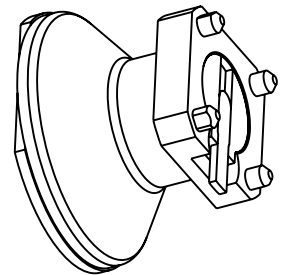
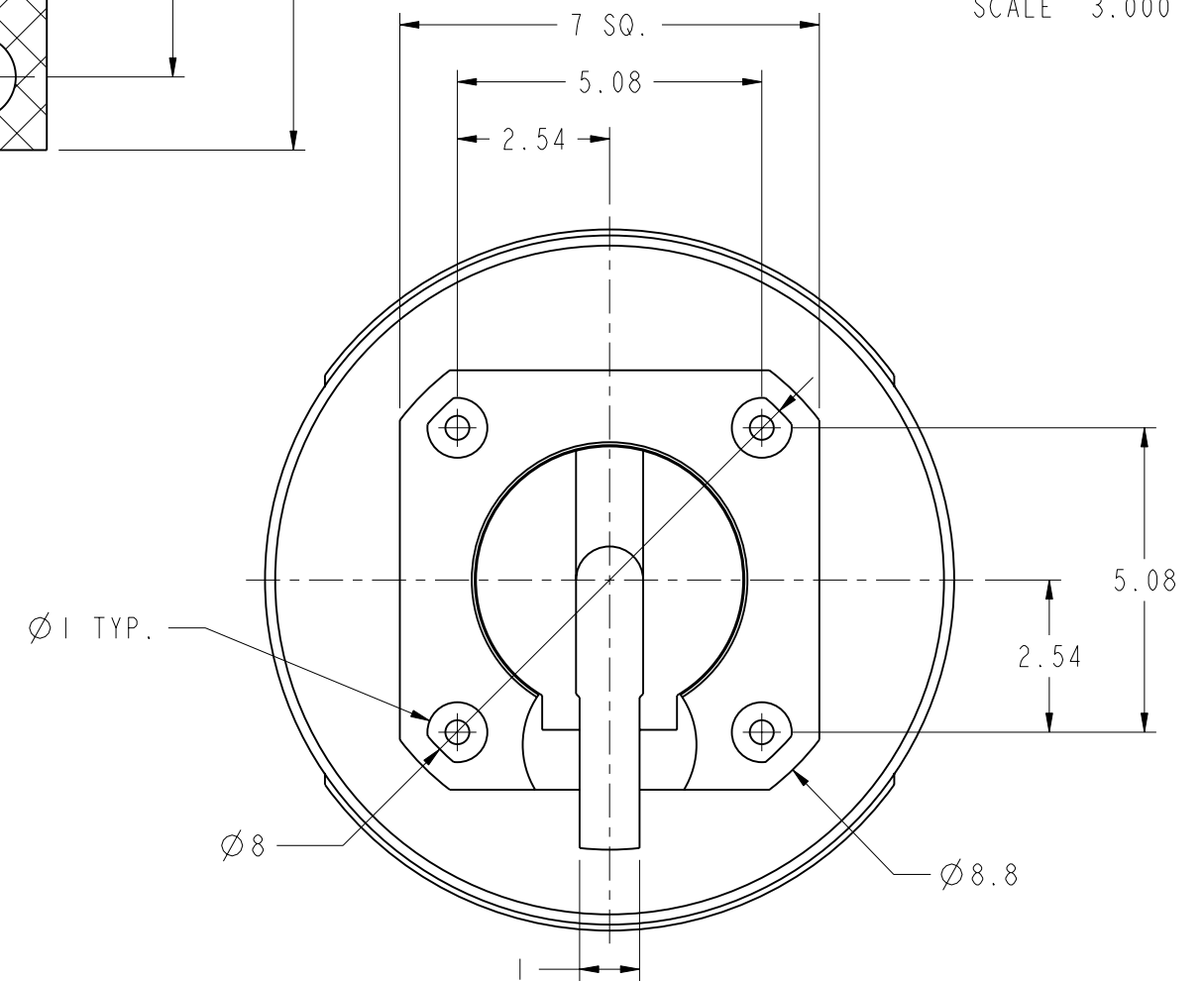
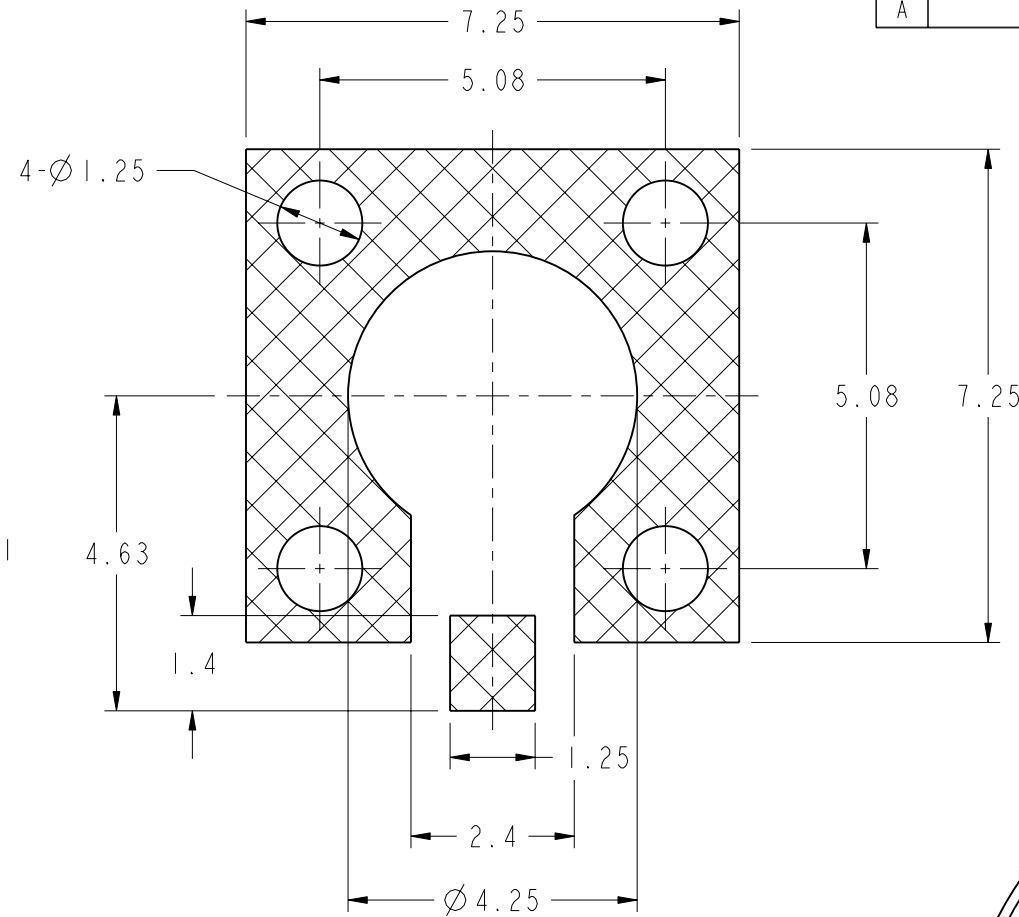
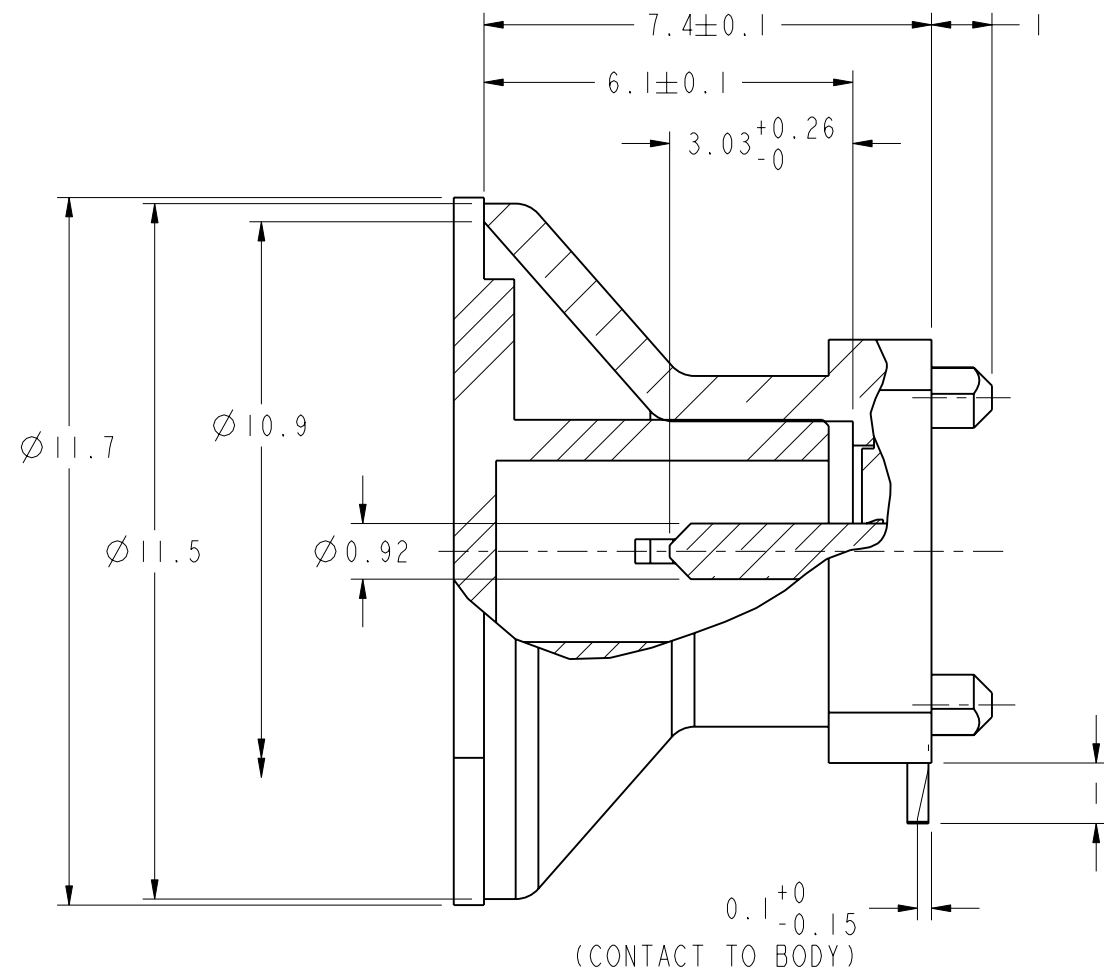
3. MECHANICAL:

- A. MATING CYCLES: 100 MIN.
- B. TEMPERATURE RANGE: -65° C TO 165° C

THIRD ANGLE PROJ.

REVISIONS

REV	DESCRIPTION	DATE	ECO	APPR
A	RELEASE TO MFG., ADDED PART NO.	03-Dec-15	50842	BCG



SCALE 3.000

**CUSTOMER OUTLINE DRAWING**

ALL OTHER SHEETS ARE FOR INTERNAL USE ONLY

UNLESS OTHERWISE SPECIFIED, DIMENSIONS ARE IN METRIC AND TOLERANCES ARE:  
 <0.5mm ±0.05mm    0.5 - 6mm ±0.1mm    6 - 30mm ±0.2mm    30 - 120mm ±0.3mm    ANGLES ±1°

NOTICE - These drawings, specifications, or other data (1) are, and remain the property of Amphenol corp. (2) must be returned upon request; and (3) are confidential and not to be disclosed to any person other than those to whom they are given by Amphenol Corp. the finishing of these drawings, specifications, or other data by Amphenol Corp., or to any other person to anyone for any purpose is not to be regarded by implication or otherwise in any manner licensing, granting rights to permitting such holder or any other person to manufacture, use or sell any product, process or design, patented or otherwise, that may in any way be related to or disclosed by said drawings, specifications, or other data.

MATERIAL	DRAWN	DATE	TITLE PSMP STRAIGHT MALE FOR PCB SMOOTH BORE		Amphenol RF Danbury CT USA, Tainan, Taiwan, Shenzhen, China www.amphenolrf.com
	ENGINEER	DATE			
REFERENCE EAR 5996 ALU PN: IAB295280001 RSBG PN: 119SI4D-40ML5	APPROVED	DATE	SCALE: 8.0:1.0   SHEET 2 OF 2		DRAWING NO. PSMP125ID3-001-8GPAP8GPA-50
	FINISH	I:\PSMP\PSMP125ID3-001-8GPAP8GPA-50		DWG SIZE B	REV A
					ITEM NO. 671251ABLA12C5F
					PART NO. PSMP-MSSB-PCT1R