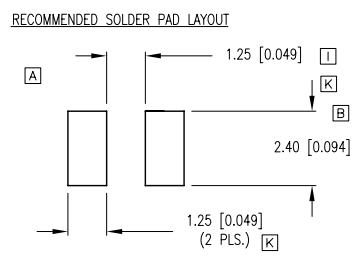
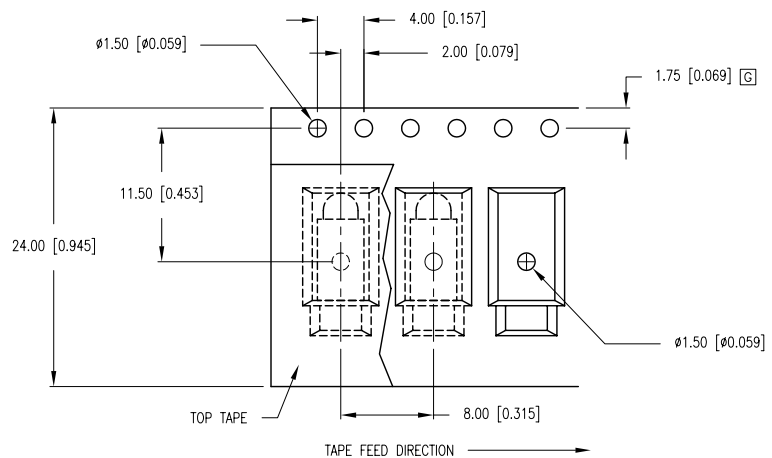


PATENT PENDING



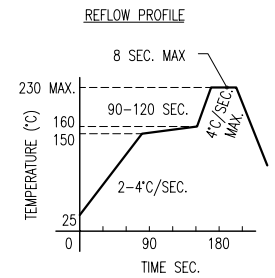
| PART NUMBER | SSF-LXH305GD(-TR) | REV. | M |
|-------------|-------------------------------------|------|------|
| DATE | E.C.N. NUMBER AND REVISION COMMENTS | | REV. |
| 05.13.94 | ADDED SOLDER PROFILE. | | A |
| 09.12.94 | UPDATED SAFE OPER SPECS. | | B |
| 11.16.94 | UPDATED SAFE OPER SPECS. | | C |
| 03.13.95 | CORRECTED PROTRUSION | | D |
| 07.05.95 | ADDED TAPE AND REEL OPTION. | | E |
| 10.15.97 | E.C.N. #10BRDR. & REDRAWN. | | F |
| 05.22.00 | E.C.N. #10625. | | G |
| 11.30.00 | E.C.N. #10683. | | H |
| 09.04.01 | E.C.N. #10782. | | I |
| 04.22.02 | E.C.N. #10855 | | J |
| 05.15.02 | E.C.N. #10864. | | K |
| 02.20.06 | E.C.N. #11311. & 11148. | | L |
| 04.18.11 | E.C.N. #10BRDR. & REDRAWN. | | M |

| ELECTRO-OPTICAL CHARACTERISTICS TA =25°C If=20mA | | | | | |
|--|----------------|------|-----|----------|-----------|
| PARAMETER | MIN | TYP. | MAX | UNITS | TEST COND |
| PEAK WAVELENGTH | | 565 | | nm | |
| FORWARD VOLTAGE | | 2.2 | 2.6 | Vf | |
| REVERSE VOLTAGE | 5.0 | | | Vr | Ir=100µA |
| AXIAL INTENSITY | | 30 | | mcd | If=20mA |
| VIEWING ANGLE | | 60 | | 2x theta | |
| EMITTED COLOR: | GREEN | | | | |
| EPOXY LENS FINISH: | GREEN DIFFUSED | | | | |

| LIMITS OF SAFE OPERATION AT 25°C | | |
|----------------------------------|------------|-----------|
| PARAMETER | MAX | UNITS |
| PEAK FORWARD CURRENT* | 150 | mA |
| STEADY CURRENT | 25 | mA |
| POWER DISSIPATION | 105 | mW |
| DERATE FROM 25°C | -1.6 | mW/°C |
| OPERATING TEMP. | -40 TO +85 | °C |
| STORAGE TEMP. | -40 TO +85 | °C |
| SOLDERING TEMP. | +230 | °C |
| 2.0mm FROM BODY | 3 | SEC. MAX. |

* t<10µS

- NOTES:
1. SSL-LX305F6GD, GREEN LED.
 2. SSH-LXH305, BLACK HOLDER.
 3. -TR SUFFIX TO DESIGNATE TAPE AND REEL SUPPLIED.
 4. CARRIER TAPE #LXP-CARRIER24-56.



*UNLESS OTHERWISE SPECIFIED TOLERANCES PER DECIMAL PRECISION ARE: X=±1 (±0.039), X.X=±0.5 (±0.020), X.XX=±0.25 (±0.010), X.XXX=±0.127 (±0.005). LEAD SIZE=±0.05 (±0.002), LEAD LENGTH=±0.75 (±0.030). MIN.= +DECIMAL PRECISION MAX.= +0.00 -DECIMAL PRECISION UNCONTROLLED DOCUMENT

290 E. HELEN ROAD
PALATINE, IL 60067-6976
PHONE: +1.847.359.2790
FAX: +1.847.359.6538
WEB: WWW.LUMEX.COM

T-3mm (T-1) RIGHT ANGLE SURFACE MOUNT LED, 565nm GREEN LED, GREEN DIFFUSED LENS, TAPE & REEL.

THE SPECIFICATIONS MAY CHANGE AT ANY TIME WITHOUT NOTICE DUE TO NEW MATERIALS OR PRODUCT IMPROVEMENT.

CONFIDENTIAL INFORMATION
THE INFORMATION CONTAINED IN THIS DOCUMENT IS THE PROPERTY OF LUMEX INC. EXCEPT AS SPECIFICALLY AUTHORIZED IN WRITING BY LUMEX INC., THE HOLDER OF THIS DOCUMENT SHALL KEEP ALL INFORMATION CONTAINED HEREIN CONFIDENTIAL AND SHALL PROTECT SAME IN WHOLE OR IN PART FROM DISCLOSURE AND DISSEMINATION TO ALL THIRD PARTIES.

| | |
|-----------------|--------------|
| DATE: 04.18.11 | DRAWN BY: AB |
| PAGE: 1 OF 1 | CHKD BY: JD |
| SCALE: NTS | APRVD BY: KF |
| UNIT: mm [INCH] | Ⓟ |