

AVAILABLE THROUGH DISTRIBUTION



BOURNS®

TC86 6 mm Round Trimming Potentiometer

Features

- 6 mm Round / Single-Turn / Cermet Industrial / Open Frame
- Cross slot adjustment options
- Horizontal and vertical mounting styles
- Dust resistant/splash resistant covers
- Front and top adjust styles
- RoHS compliant*

Electrical Characteristics

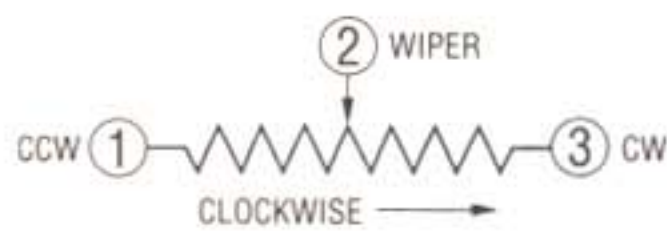
Standard Resistance Range100 ohms to 1 megohm
(see standard resistance table)
Resistance Tolerance±20 % std.
(tighter tolerance available)
Absolute Minimum Resistance
≤ 500 Ohms10 ohms max.
> 500 Ohms2 % max. of TR
Contact Resistance Variation5 % max.
ResolutionInfinite
Adjustment Angle240 ° ±20 °

Environmental Characteristics

Power Rating (100 VDC max.)
70 °C0.3 watt
Temperature Range-30 °C to +85 °C
Temperature Coefficient±250 ppm/°C
Humidity95 % RH
TRS ±5 %
Load Life500 hours @ 70 °C
TRS ±5 %
Rotational Cycling50 cycles
TRS ±10 %

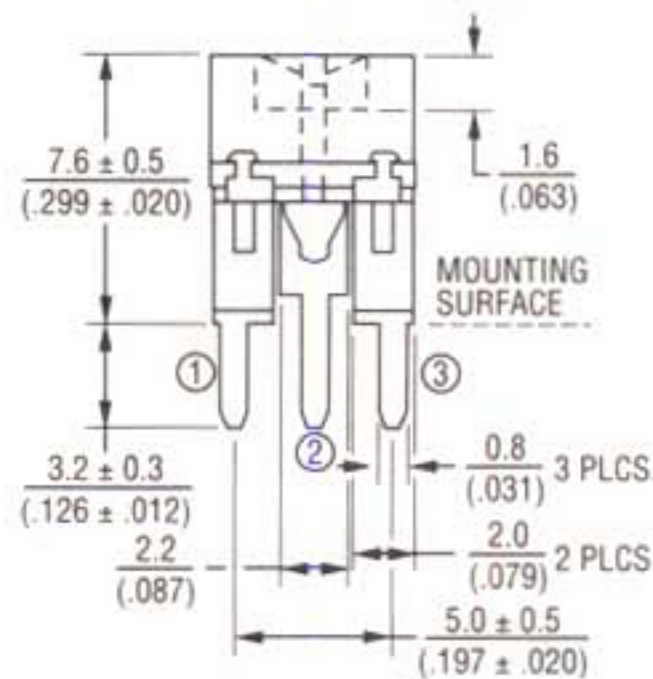
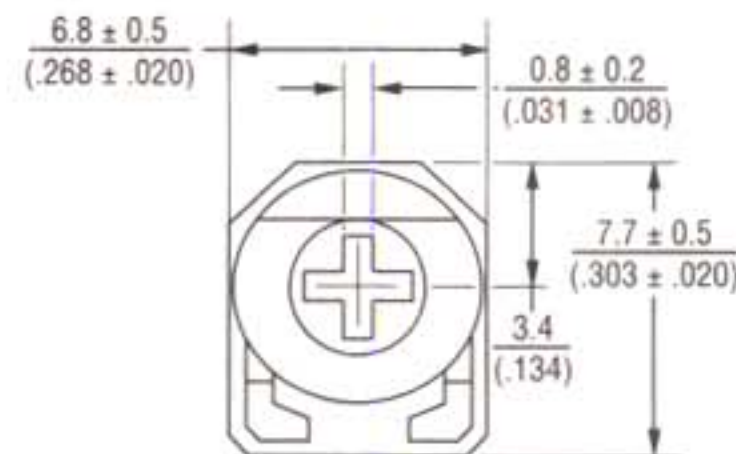
Physical Characteristics

Torque30-300 gf-cm
Mechanical Angle240 ° ±20 °
MarkingPart marking code
Standard Packaging200 pcs./bag
Adjustment ToolH-90
Aqueous cleaning not recommended

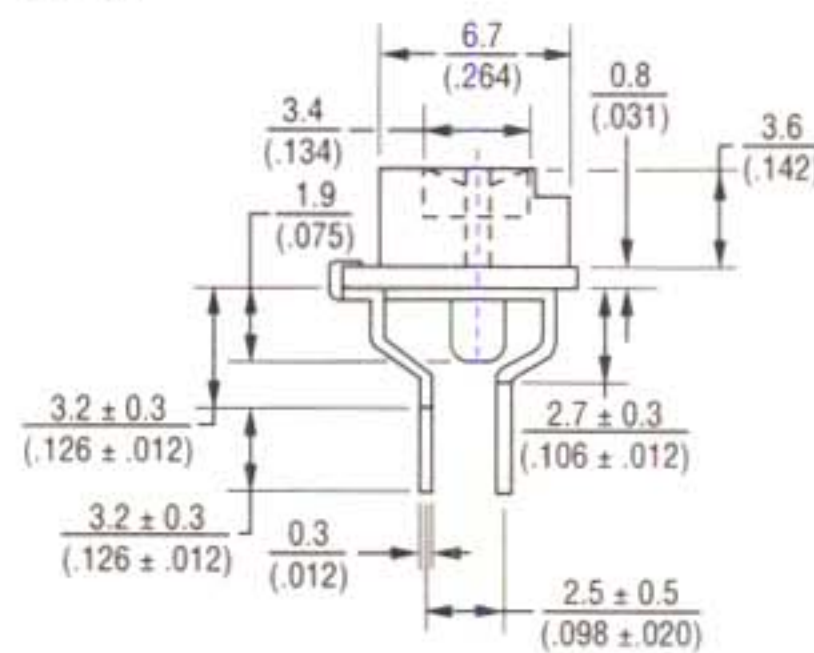


Product Dimensions

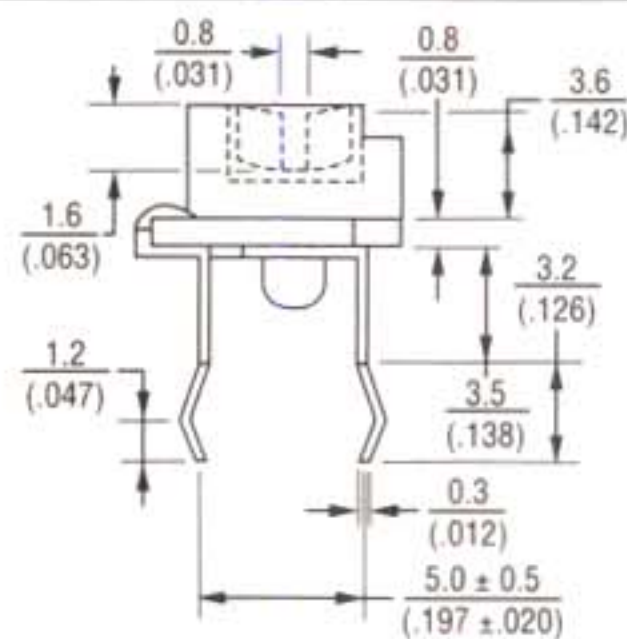
Top Adjust Common Dimensions



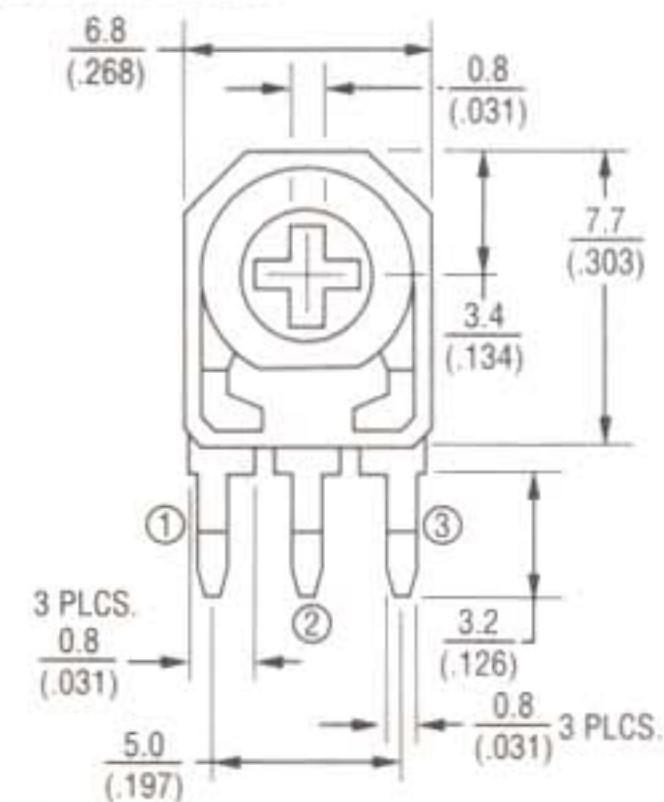
TC86P



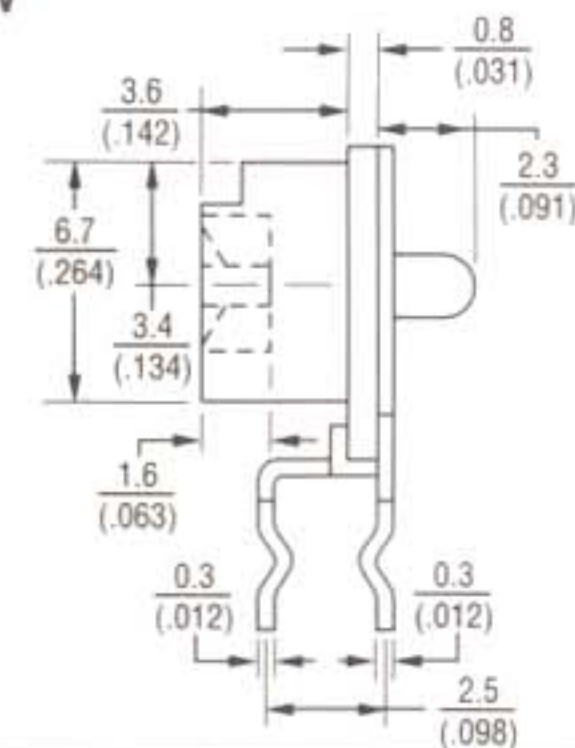
TC86F



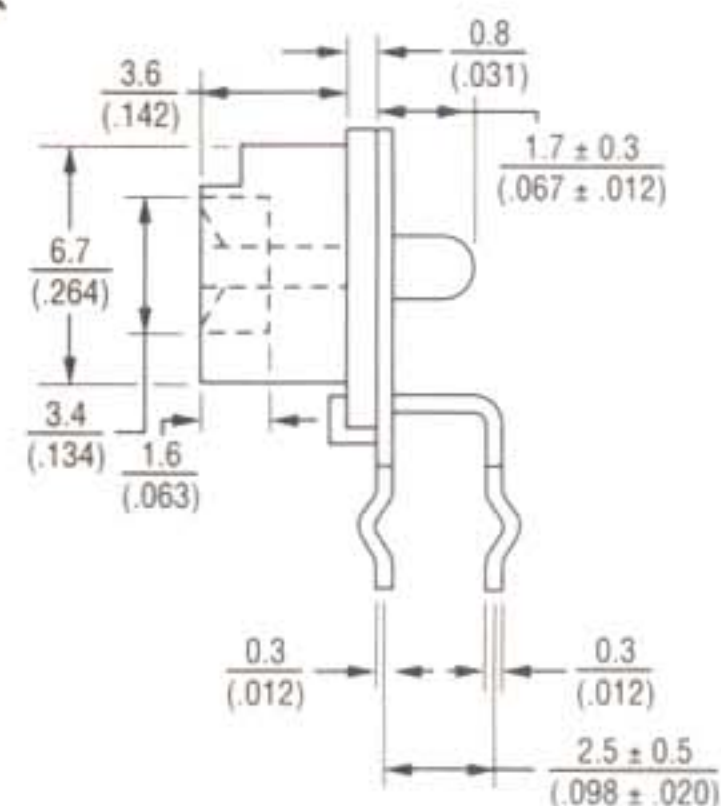
Side Adjust Common Dimensions



TC86W



TC86K



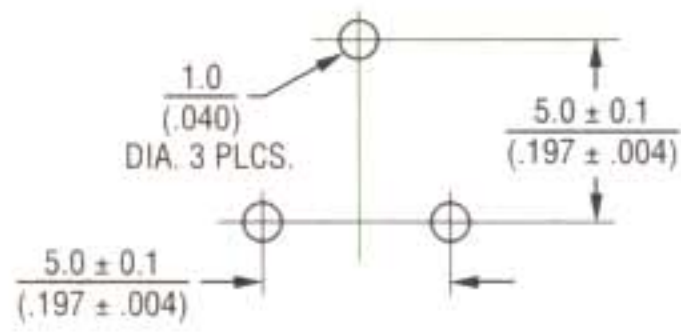
DIMENSIONS: MM/(INCHES)
TOLERANCES: ±.25/(±.010) EXCEPT WHERE NOTED

OBSOLETE

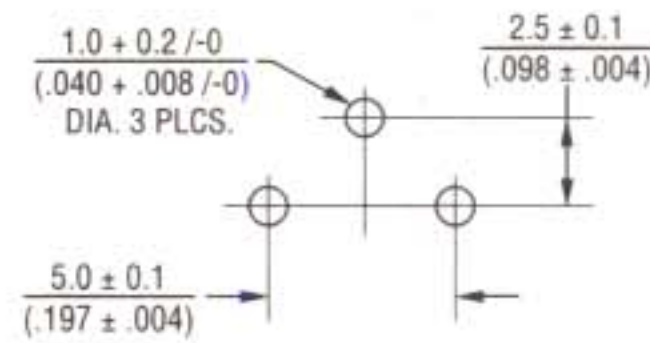
Specifications are subject to change without notice.
*RoHS Directive 2002/95/EC Jan 27 2003 including Annex.
Customers should verify actual device performance in their specific applications.
REV 09/04

TC86 – Suggested PCB Layout and Ordering Information

Suggested PCB Layout – Style F



Suggested PCB Layout – Styles K, P, W



Standard Resistance Table

Resistance (Ohms)	Resistance Code
100	101
200	201
500	501
1,000	102
2,000	202
5,000	502
10,000	103
20,000	203
50,000	503
100,000	104
200,000	204
500,000	504
1,000,000	105

Popular distribution resistance values listed in **boldface**.

How To Order

Model _____ **TC86 W - 1 - 103**
 Style _____
 Standard Product Indicator _____
 Resistance Code _____

OBSOLETE

Specifications are subject to change without notice. Customers should verify actual device performance in their specific applications.