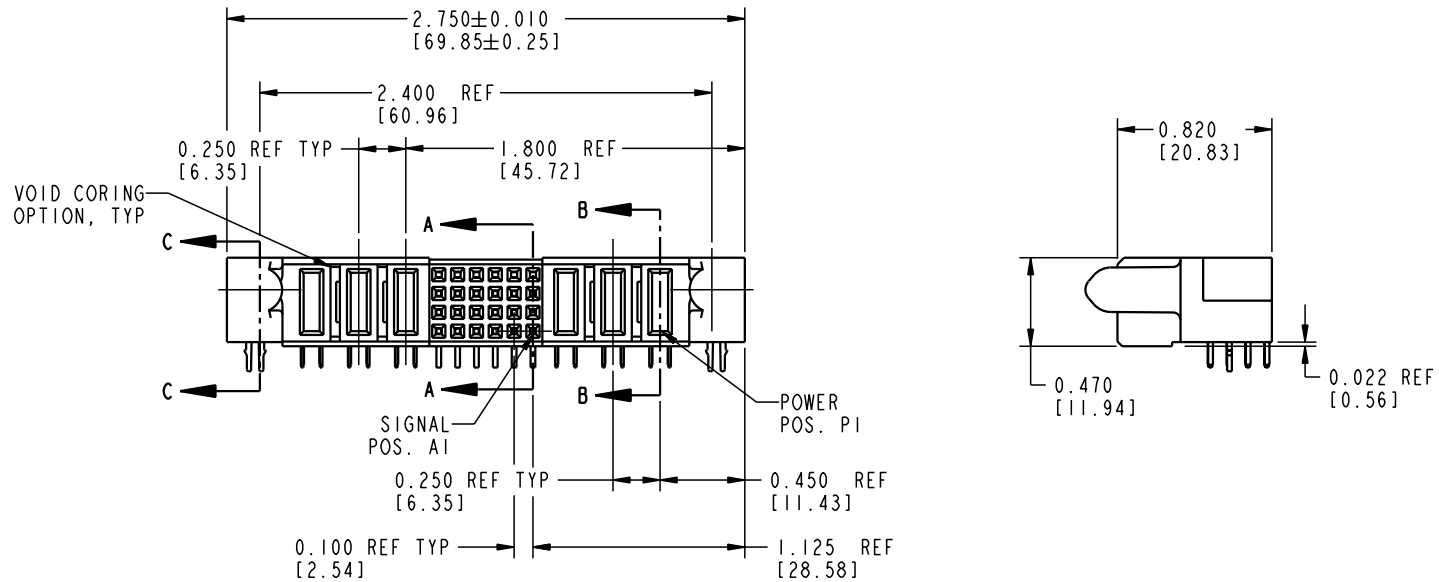


Tous droits strictement reserves. Reproduction ou communication a des tiers interdite sous quelque forme que ce soit sans autorisation ecrite du proprietaire. Propriete de c FCI. Droits de reproduction FCI.

All rights strictly reserved. Reproduction or issue to third parties in any form whatever is not permitted without written authority from the proprietor. Property of FCI. Copyright FCI.

PRODUCT No.	ROWS	POWER			SIGNAL						POWER			
		E2	P6	P5	P4	6	5	4	3	2	1	P3	P2	P1
51770-001	D C B A	HA	PA	PC	PC	H	H	H	H	H	H	H	H	H
					F	F	F	F	F	F	F	F	F	
					E	E	E	E	E	E	E	E	E	



CODE	CONTACT TYPE	DIM "M" ±0.010 [0.25]
E	SIGNAL	N/A
F	SIGNAL	N/A
G	SIGNAL	N/A
H	SIGNAL	N/A
PA	POWER	0.042 [1.07]
PC	POWER	0.092 [2.34]

mat'l code		NOTE 1		tolerances unless otherwise specified		CUSTOMER		 www.fciconnect.com	
ltr	ecm no.	dr	date	linear	$.XX \pm .01 / 0.X \pm 0.3$	COPY		title	
A	V10108	JRW	1/5/01		$.XXX \pm .005 / 0.XX \pm 0.13$	projection		3P + 24S + 3P	
				angles	$.XXX \pm .0020 / .XX \pm 0.51$			RIGHT ANGLE RECEPTACLE	
				dr	J. WITMER 1/5/01	INCH/MM		product family PwrBlade code	
				enr	J. DODDS 10/23/00	scale		size dwg no	
				chr	J. DODDS 1/5/01	1:1		A 51770-001	
				appd	J. DODDS 1/5/01			sheet 1 of 2	
sheet index	revision sheet	A	A					cage code 22526	
		1	2						

Pro/E

cage code 22526

PDM: Rev:A

STATUS: Released

Printed: Oct 08, 2006

