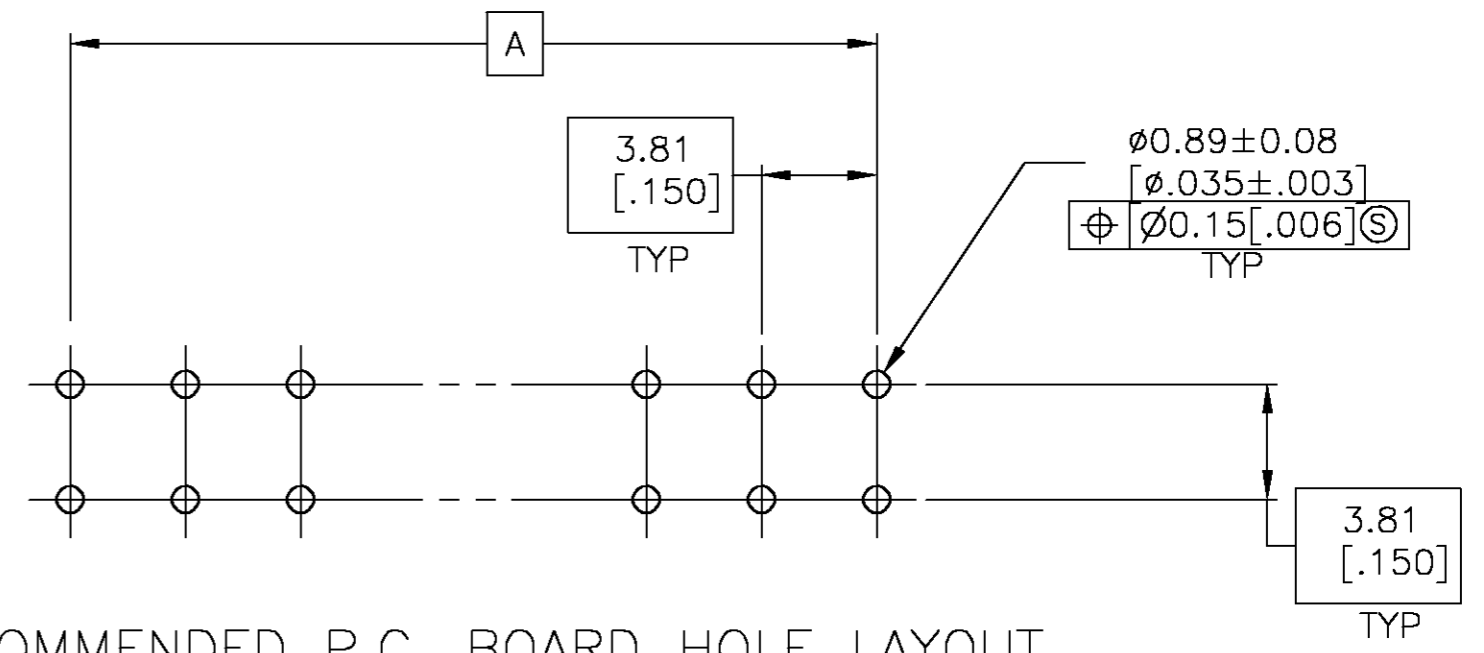
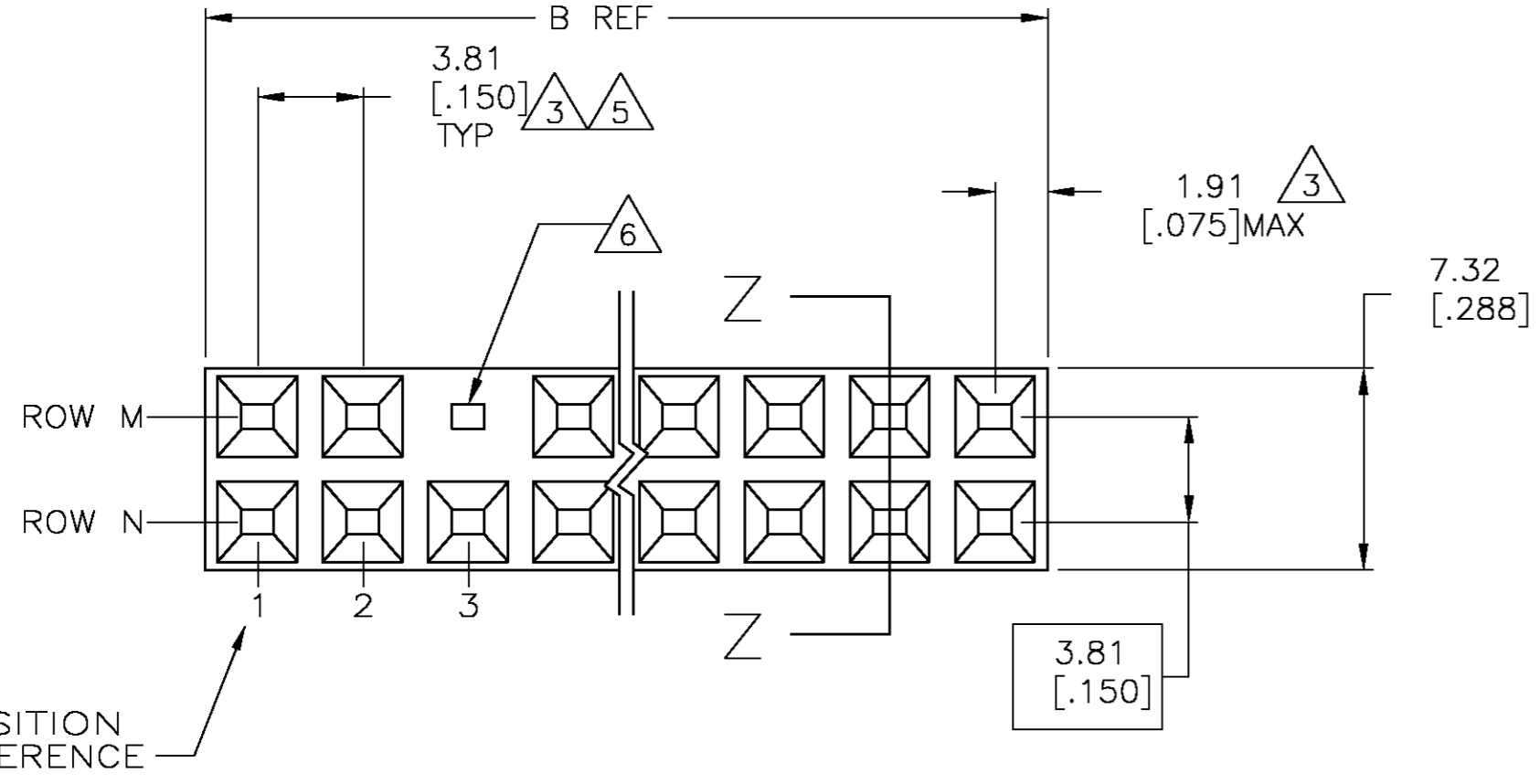
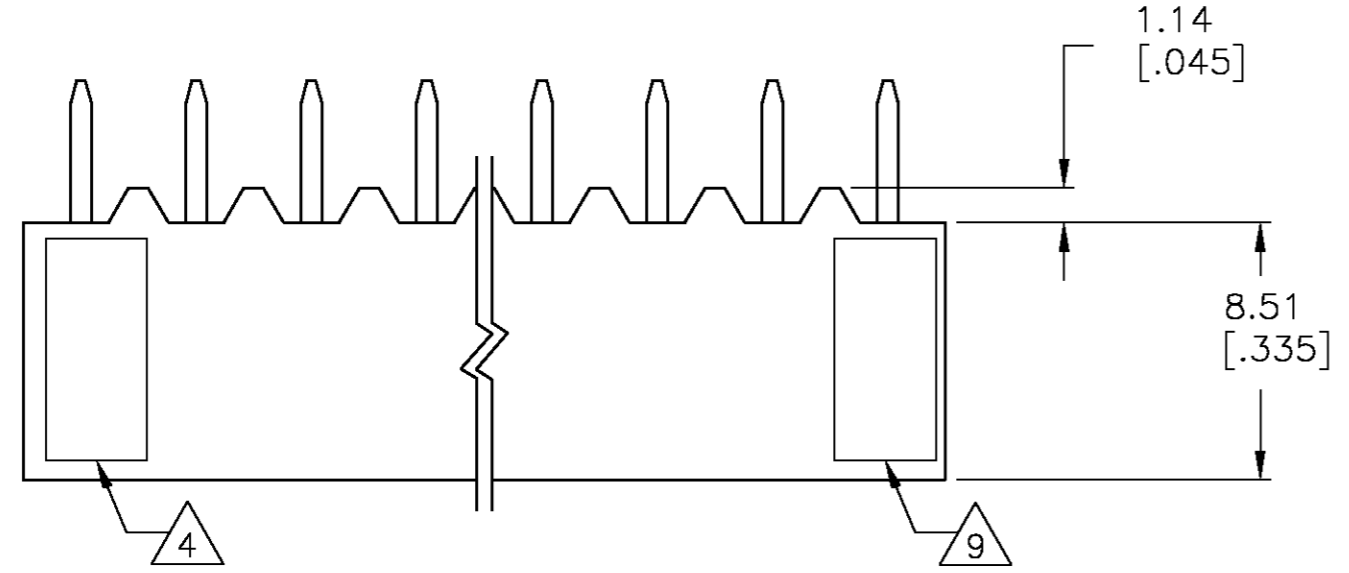
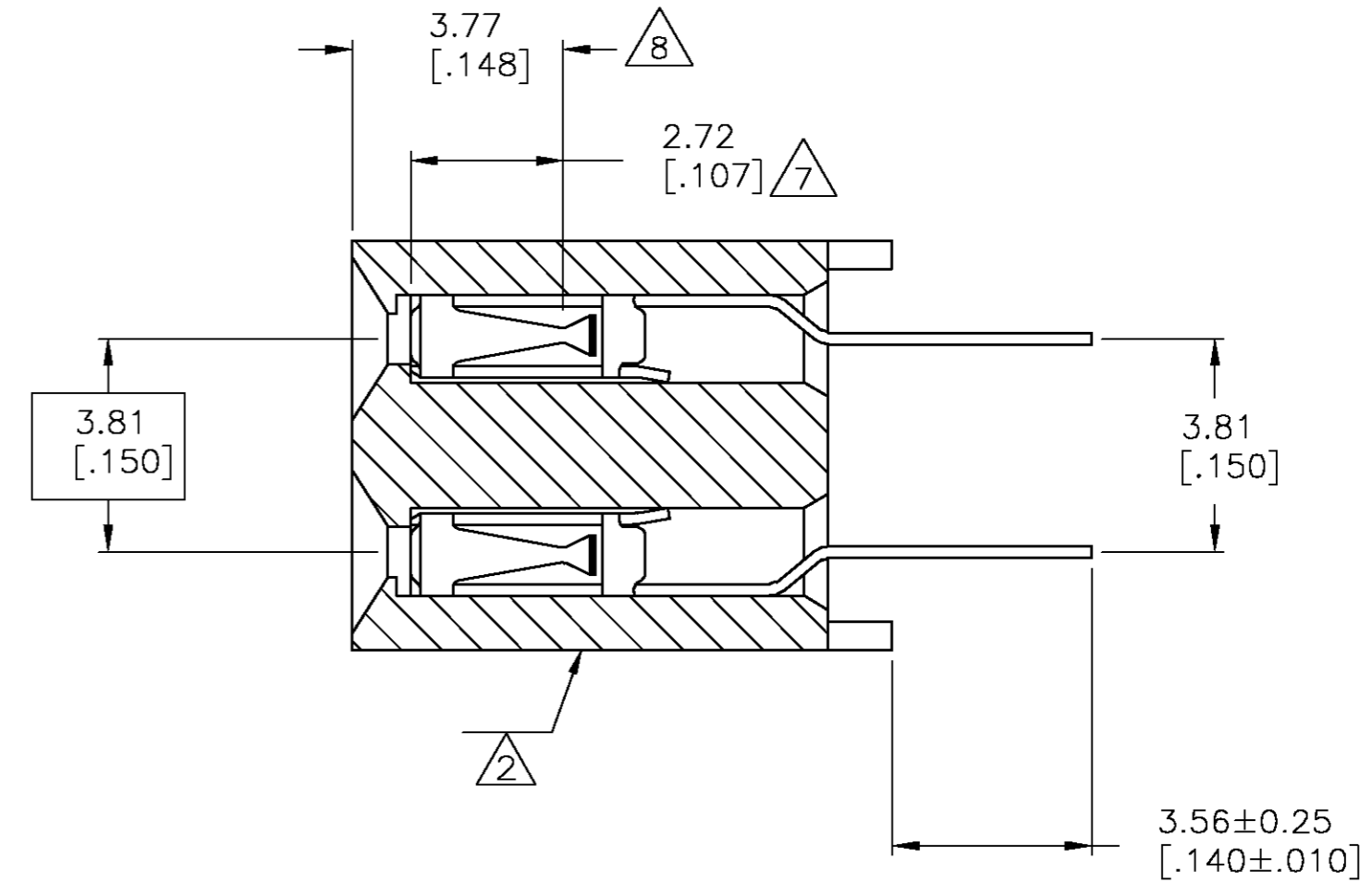


THIS DRAWING IS UNPUBLISHED. RELEASED FOR PUBLICATION
 © COPYRIGHT BY TYCO ELECTRONICS CORPORATION. ALL RIGHTS RESERVED.

Loc		DIST		REVISIONS			
P	LTR	DESCRIPTION		DATE	DWN	APVD	
AD	39	K	REV PER EC	0G3C-0525-04	05OCT04	MB	JO



RECOMMENDED P.C. BOARD HOLE LAYOUT



SECTION Z-Z
SCALE 8:1

- 1 HOUSING: FLAME RETARDANT, GLASS FILLED, THERMOPLASTIC, COLOR: BLACK. CONTACT: PHOSPHOR BRONZE
- 2 CONTACT: DUPLEX PLATED 0.76µm[.000030] GOLD IN CONTACT AREA, 3.81-7.62µm[.000150-.000300] BRIGHT TIN-LEAD ON LEADS ALL OVER 1.27µm[.000050] NICKEL
- 3 THESE DIMENSIONS PERTAIN TO CAVITY CENTERLINES ONLY - NOT TO CONTACT LOCATIONS
- 4 PART NUMBER AND DATE CODE ARE MARKED IN APPROXIMATE LOCATION SHOWN.
- 5 TOLERANCE IS NON-CUMULATIVE.
- 6 KEY IN POSITION, NO CONTACT CAVITY.
- 7 POINT-OF-MEASUREMENT DIMENSION FOR PLATING THICKNESS (INSIDE CONTACT BEAM).
- 8 POINT-OF-CONTACT DIMENSION.
- 9 TYCO LOGO AND CSA LOGO ARE MOLDED INTO HOUSING.
- 10 NO POSITION NUMBER MARKING REQUIRED FOR THIS PART.

OBSOLETE	12	2	2	26.67 [1.050]	22.86 [.900]	14	533034-3		
	15	3	NONE	30.48 [1.200]	26.67 [1.050]	16	533034-2		
	6	NONE	NONE	11.43 [.450]	7.62 [.300]	6	533034-1		
	NO OF ACTV POSN	ROW M	ROW N	KEYING POSITION		B	A	NO OF POSN	PART NUMBER
				NO CONTACT					

THIS DRAWING IS A CONTROLLED DOCUMENT.

DIMENSIONS: mm [INCHES]	TOLERANCES UNLESS OTHERWISE SPECIFIED:	DWN 5/31/91 CHK 7/30/91 R BENDORF	APVD -	NAME
0 PLC ± -	1 PLC ± -	2 PLC ± 0.13 [.005]	3 PLC ± -	4 PLC ± -
MATERIAL 1	FINISH 2	WEIGHT -	SIZE A2	CAGE CODE 00779
CUSTOMER DRAWING		SCALE 4:1	SHEET 1 OF 1	REV K

tyco Electronics Tyco Electronics Corporation
Harrisburg, Pa 17105-3608

RECEPTACLE ASSY, MOD II, DBL ROW, 3.81 X 3.81 [.150 X .150] CL,

DRAWING NO C=533034