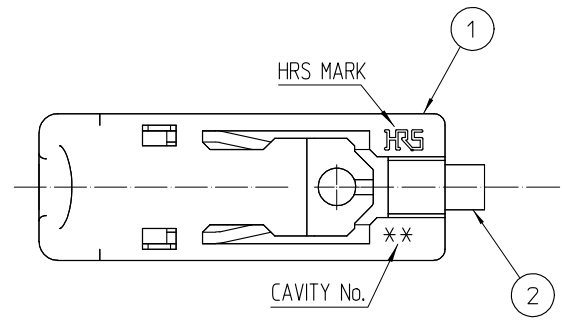
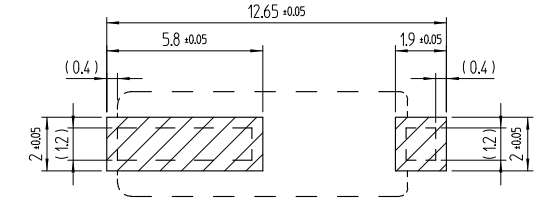


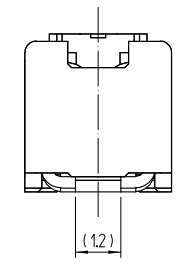
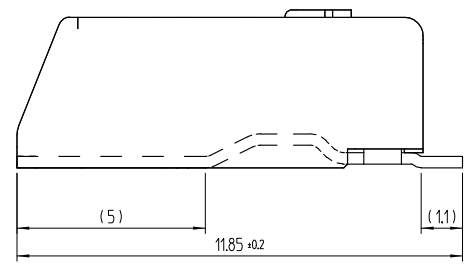
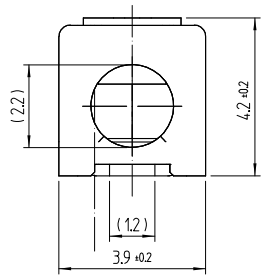
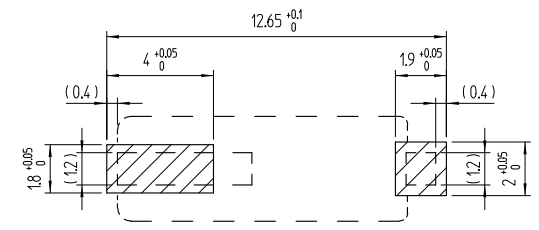
△數		訂正事項		擔當	檢圖	年月日	△數		訂正事項		擔當	檢圖	年月日
COUNT	DESCRIPTION OF REVISIONS	B	Y	CHKD	DATE		COUNT	DESCRIPTION OF REVISIONS	B	Y	CHKD	DATE	
△							△						
△							△						
△							△						



RECOMMENDED PCB LAYOUT
(MOUNTING SURFACE SIDE) (FREE)

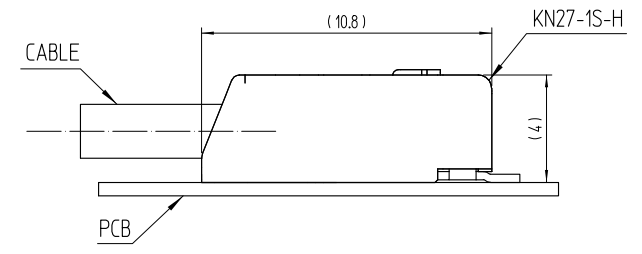


RECOMMENDED METAL MASK (FREE)
THICKNESS : 0.12mm



DRAWING FOR REFERENCE

MATING FIGURE (FREE)



- NOTE 1. LEAD CO-PLANARITY SHALL BE 0.1mm MAX
 2. UL(File No. E132750) AUTHORIZATION ARTICLE.
 C-UL(File No. E132750) AUTHORIZATION ARTICLE.

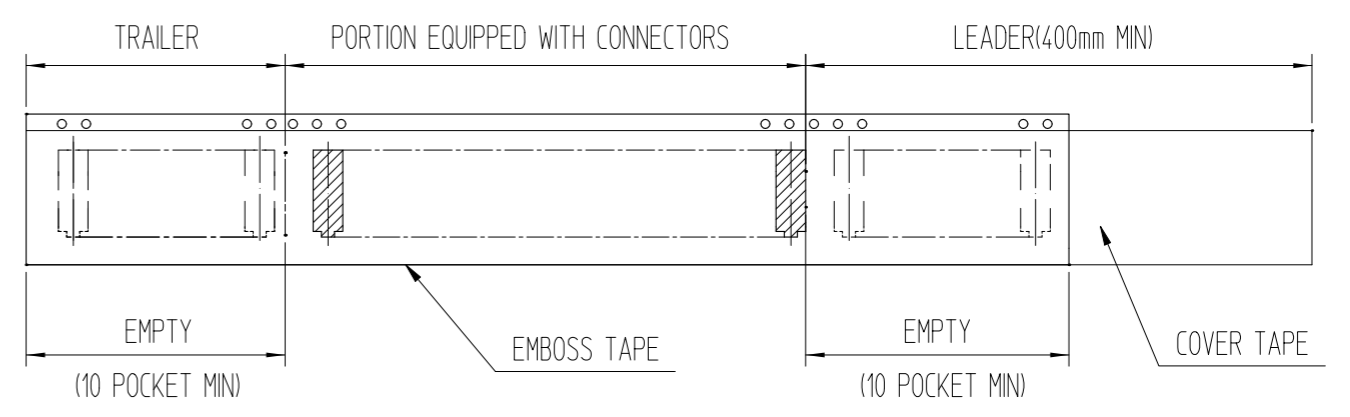
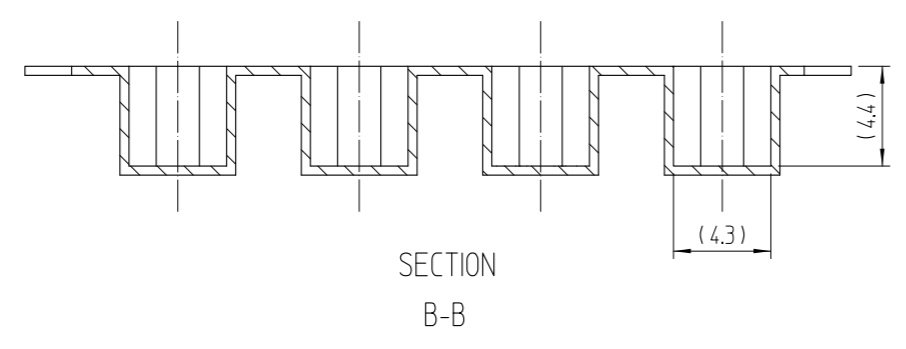
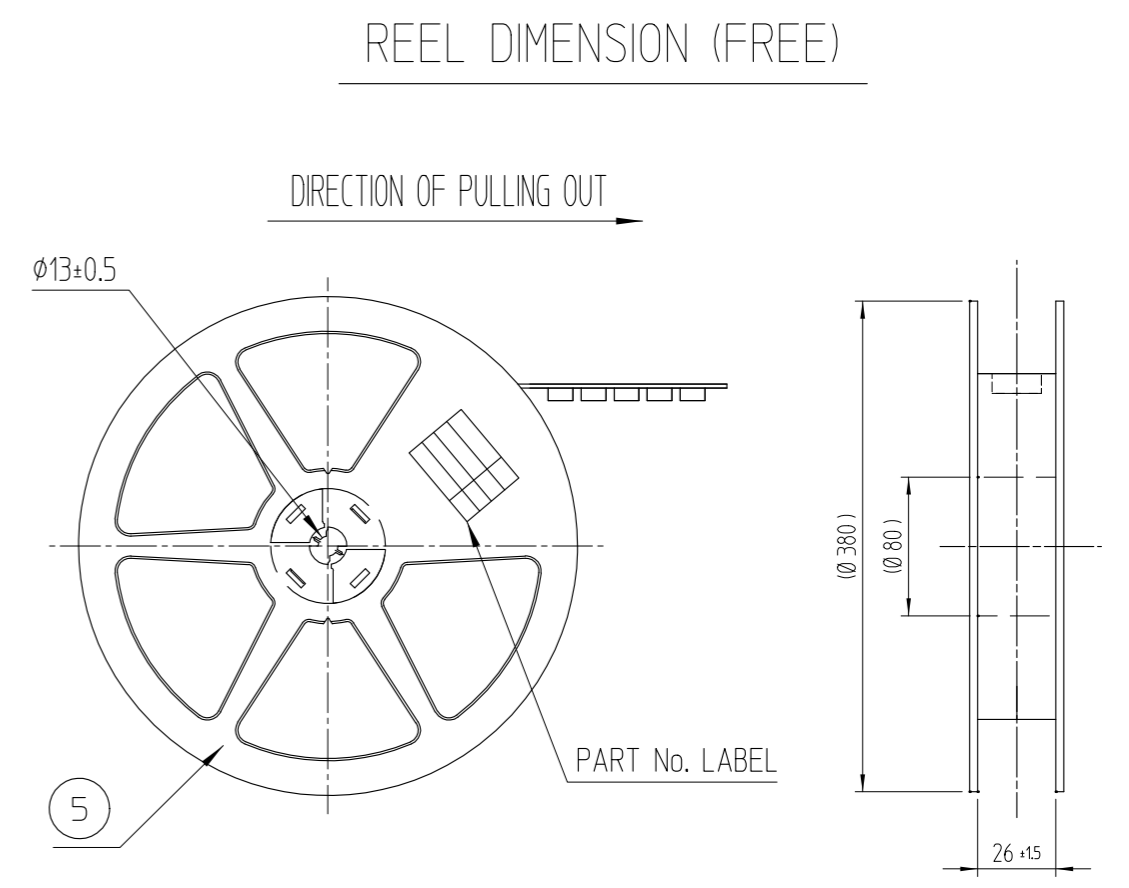
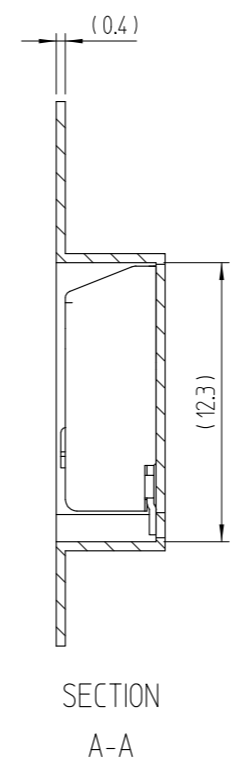
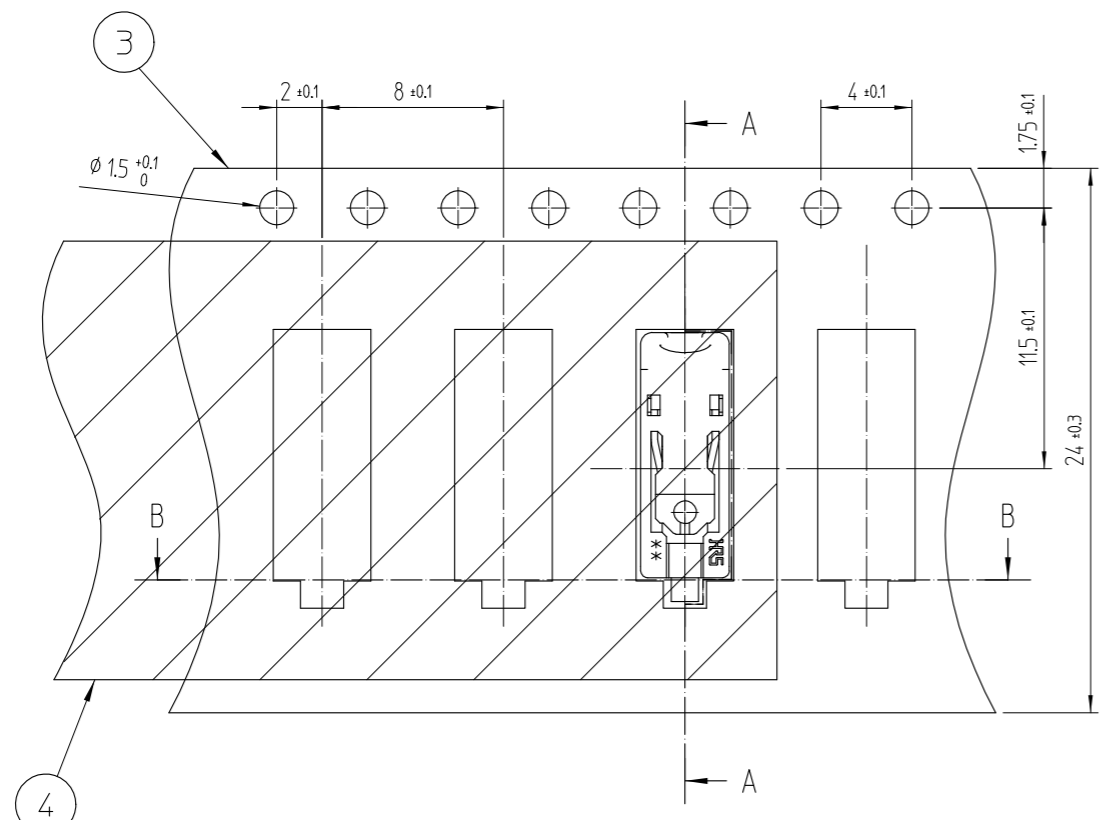


3	PS	EMBOSS CARRIER TAPE			
2	COPPER ALLOY	SnP	5	PS	REEL
1	LCP	UL94-V0, NATURAL	4	PET	COVER TAPE
NO.	MATERIAL	FINISH, REMARKS	NO.	MATERIAL	FINISH, REMARKS
CODE NO. (OLD)			DRAWN	DESIGNED	CHECKED
			S.H.GU	S.H.GU	Y.SHA
			15.05.08	15.05.08	15.05.08
			APPROVED	RELEASED	
			T.S.KANG		ENG
					16.07.13
					DEPT
DRAWING NO. EDC3-632126-00			PART NO. KN27-1S-H (835)		
SCALE 5:1			CODE NO. CL6653-0001-8-835		
UNITS mm			1/2		

1 2 3 4 5 6 7 8

A
B
C
D
E
F

A
B
C
D
E
F



NOTE 2. 1 REEL CONTAINS 2,500 PCS

 SCALE 5:1 UNITS mm	DRAWING NO. EDC3-632126-00	PART NO. KN27-1S-H (835)	2/2
	HIROSE KOREA CO.,LTD.		

1 2 3 4 5 6 7 8